



Hardware Installation Guide for Cisco 8800 Series Routers

First Published: 2019-11-07

Last Modified: 2022-10-25

Americas Headquarters

Cisco Systems, Inc.
170 West Tasman Drive
San Jose, CA 95134-1706
USA
<http://www.cisco.com>
Tel: 408 526-4000
800 553-NETS (6387)
Fax: 408 527-0883

THE SPECIFICATIONS AND INFORMATION REGARDING THE PRODUCTS IN THIS MANUAL ARE SUBJECT TO CHANGE WITHOUT NOTICE. ALL STATEMENTS, INFORMATION, AND RECOMMENDATIONS IN THIS MANUAL ARE BELIEVED TO BE ACCURATE BUT ARE PRESENTED WITHOUT WARRANTY OF ANY KIND, EXPRESS OR IMPLIED. USERS MUST TAKE FULL RESPONSIBILITY FOR THEIR APPLICATION OF ANY PRODUCTS.

THE SOFTWARE LICENSE AND LIMITED WARRANTY FOR THE ACCOMPANYING PRODUCT ARE SET FORTH IN THE INFORMATION PACKET THAT SHIPPED WITH THE PRODUCT AND ARE INCORPORATED HEREIN BY THIS REFERENCE. IF YOU ARE UNABLE TO LOCATE THE SOFTWARE LICENSE OR LIMITED WARRANTY, CONTACT YOUR CISCO REPRESENTATIVE FOR A COPY.

The Cisco implementation of TCP header compression is an adaptation of a program developed by the University of California, Berkeley (UCB) as part of UCB's public domain version of the UNIX operating system. All rights reserved. Copyright © 1981, Regents of the University of California.

NOTWITHSTANDING ANY OTHER WARRANTY HEREIN, ALL DOCUMENT FILES AND SOFTWARE OF THESE SUPPLIERS ARE PROVIDED "AS IS" WITH ALL FAULTS. CISCO AND THE ABOVE-NAMED SUPPLIERS DISCLAIM ALL WARRANTIES, EXPRESSED OR IMPLIED, INCLUDING, WITHOUT LIMITATION, THOSE OF MERCHANTABILITY, FITNESS FOR A PARTICULAR PURPOSE AND NON-INFRINGEMENT OR ARISING FROM A COURSE OF DEALING, USAGE, OR TRADE PRACTICE.

IN NO EVENT SHALL CISCO OR ITS SUPPLIERS BE LIABLE FOR ANY INDIRECT, SPECIAL, CONSEQUENTIAL, OR INCIDENTAL DAMAGES, INCLUDING, WITHOUT LIMITATION, LOST PROFITS OR LOSS OR DAMAGE TO DATA ARISING OUT OF THE USE OR INABILITY TO USE THIS MANUAL, EVEN IF CISCO OR ITS SUPPLIERS HAVE BEEN ADVISED OF THE POSSIBILITY OF SUCH DAMAGES.

Any Internet Protocol (IP) addresses and phone numbers used in this document are not intended to be actual addresses and phone numbers. Any examples, command display output, network topology diagrams, and other figures included in the document are shown for illustrative purposes only. Any use of actual IP addresses or phone numbers in illustrative content is unintentional and coincidental.

All printed copies and duplicate soft copies of this document are considered uncontrolled. See the current online version for the latest version.

Cisco has more than 200 offices worldwide. Addresses and phone numbers are listed on the Cisco website at www.cisco.com/go/offices.

The documentation set for this product strives to use bias-free language. For purposes of this documentation set, bias-free is defined as language that does not imply discrimination based on age, disability, gender, racial identity, ethnic identity, sexual orientation, socioeconomic status, and intersectionality. Exceptions may be present in the documentation due to language that is hardcoded in the user interfaces of the product software, language used based on standards documentation, or language that is used by a referenced third-party product.

Cisco and the Cisco logo are trademarks or registered trademarks of Cisco and/or its affiliates in the U.S. and other countries. To view a list of Cisco trademarks, go to this URL: <https://www.cisco.com/c/en/us/about/legal/trademarks.html>. Third-party trademarks mentioned are the property of their respective owners. The use of the word partner does not imply a partnership relationship between Cisco and any other company. (1721R)

© 2019–2021 Cisco Systems, Inc. All rights reserved.



CONTENTS

CHAPTER 1

Cisco 8800 Series Routers Overview	1
Cisco 8800 Series Routers	2
Line Card Overview	4
Route Processor Card Overview	7
Fabric Card Overview	8
Temperature and Physical Specifications	9
Weight and Power Consumption	9
Airflow Direction	9
Maximum Power Available to the Router	9
Supported Optics	13

CHAPTER 2

Prepare for Installation	15
Safety Guidelines	15
Compliance and Safety Information	16
Laser Safety	18
Energy Hazard	18
Preventing Electrostatic Discharge Damage	18
Cautions and Regulatory Compliance Statements for NEBS	19
Installation Guidelines	20
Procure Tools and Equipment	20
Rack Mount and Accessory Kits	21
Prepare Your Location	21
Prepare Yourself	22
Prepare Rack for Chassis Installation	23
Clearance Requirements	24

CHAPTER 3	Unpack and Install the Chassis	27
	Unpack the Chassis	27
	Install Bottom-Support Rails	31
	Transfer Chassis to a Mechanical Lifting Device	32
	Mount Chassis Into the Rack	34
	Locate and Ground the Chassis	43
	Install Cable Management on a Chassis	48
	Attach Front Door to Chassis	59
	Ground the Front Door	63

CHAPTER 4	Powering on the Router	65
	Power Module Overview	65
	Connect DC Power Supply to Power Source	68
	Connect HVAC/HVDC Power Supply to Power Source	71
	Power Supply Power Cord Specifications	74
	Power Cord Illustrations	75

CHAPTER 5	Connect Router to the Network	79
	Connecting a Console to the Router	79
	Connect the Management Interface	80
	Transceivers, Connectors, and Cables	81
	Transceiver and Cable Specifications	81
	RJ-45 Connectors	81
	Install and Remove QSFP Transceiver Modules	82
	Required Tools and Equipment	83
	Installing the Transceiver Module	83
	Attach the Optical Network Cable	86
	Removing the Transceiver Module	87
	Connect Interface Ports	88
	Connect a Fiber-Optic Port to the Network	88
	Disconnect Optical Ports from the Network	88
	Maintain Transceivers and Optical Cables	89
	Create the Initial Router Configuration	89

Verify Chassis Installation	90
Set Fabric Bandwidth Threshold	98

CHAPTER 6

LEDs	101
Chassis LED	101
Port Status LEDs	101
Power Supply LEDs	102
Fan Tray LEDs	103
Temperature Warning Label	104
Route Processor Card LEDs	105
Fabric Card LEDs	107
Line Card LEDs	108

CHAPTER 7

Replace Chassis Components	111
Replace Chassis Door Foam Air Filters	111
Provision of Grace Period Before Route Processor Shutdown from Ejector Lever	113
Replace a Route Processor Card	114
Replace a Line Card	119
Replace or Install a Line Card - Ejector Levers with Buttons	119
Replace or Install a Line Card - Ejector Levers with Latches	127
Replace a Fan Tray	133
Remove Fan Tray	134
Install Fan Tray	134
Replace Fabric Card	136
Remove a Fabric Card	136
Install a Fabric Card	139
Replace Power Supply Components	142
Install Power Shelf Bezel	142
Replace DC Power Module	145
Disconnect DC Power	146
Reconnect DC Power	146
Replace HVAC and HVDC Power Module	147



CHAPTER

1

Cisco 8800 Series Routers Overview

Table 1: Feature History Table

Hardware	Release Information	Description
Cisco 8804	Release 7.3.2	This release introduces Cisco 8804, a 4-slot 10 RU (rack unit) modular router that provides 57.6 Tbps of network bandwidth. For more information, see the Cisco 8800 section in the Datasheet here .

The Cisco 8800 series routers include:

- The Cisco 8818 is a 33-RU router that supports distributed forwarding across multiple field replaceable units (FRUs).
- The Cisco 8812 is a 21-RU router that supports distributed forwarding across multiple field replaceable units (FRUs).
- The Cisco 8808 is a 16-RU router that supports distributed forwarding across multiple field replaceable units (FRUs).
- The Cisco 8804 is a 10-RU router that supports distributed forwarding across multiple field replaceable units (FRUs).
- [Cisco 8800 Series Routers, on page 2](#)
- [Line Card Overview, on page 4](#)
- [Route Processor Card Overview, on page 7](#)
- [Fabric Card Overview, on page 8](#)
- [Temperature and Physical Specifications, on page 9](#)
- [Weight and Power Consumption, on page 9](#)
- [Airflow Direction, on page 9](#)
- [Maximum Power Available to the Router, on page 9](#)
- [Supported Optics, on page 13](#)

Cisco 8800 Series Routers

Table 2: Feature History Table

Feature Name	Release	Description
PSU4.8KW-DC100 power supply for Cisco 8804 and 8808 routers.	Release 7.3.2	<p>This feature introduces support for the 4.8 KW power supply for 48V 100A DC (DC100) on the Cisco 8804 and 8808 routers.</p> <p>The power supply accepts a nominal input voltage of 48V 100A DC, with an operational tolerance range of -40 to -75 VDC.</p>

The following table describes the Cisco 8818 router components, and the supported quantity.

Table 3: Cisco 8818 Router Components

Component	Quantity
Line cards	18
Route Processors	2
Fabric Cards	8
Fan trays	4
Power trays	6
Power supplies	HVAC/HVDC—18 (3 per tray) DC60—24 (4 per tray) DC100—24 (4 per tray)

The following table describes the Cisco 8812 router components, and the supported quantity.

Table 4: Cisco 8812 Router Components

Component	Quantity
Line cards	12
Route Processors	2
Fabric Cards	8
Fan trays	4
Power trays	3

Component	Quantity
Power supplies	HVAC/HVDC—9 (3 per tray) DC60—12 (4 per tray) DC100—12 (4 per tray)

The following table describes the Cisco 8808 router components, and the supported quantity.

Table 5: Cisco 8808 Router Components

Component	Quantity
Line cards	8
Route Processors	2
Fabric Cards	8
Fan trays	4
Power trays	3
Power supplies	HVAC/HVDC—9 (3 per tray) DC60—12 (4 per tray) DC100—12 (4 per tray)

The following table describes the Cisco 8804 router components, and the supported quantity.

Table 6: Cisco 8804 Router Components

Component	Quantity
Line cards	4
Route Processors	2
Fabric Cards	8
Fan trays	4
Power trays	2
Power supplies	HVAC/HVDC—6 (3 per tray) DC60—8 (4 per tray) DC100—8 (4 per tray)

Line Card Overview

Table 7: Feature History Table

Feature Name	Release	Description
88-LC0-36FH-M with MACsec, based on Q200 Silicon Chip	Release 7.3.15	<p>The Cisco 8800 modular chassis support the Cisco 8800 36x400 GE QSFP56-DD Line Card (88-LC0-36FH-M).</p> <p>The 88-LC0-36FH-M line card is Q200 silicon chip-based, and MACsec-capable, providing 14.4 Tbps of throughput with line rate MACsec on all ports.</p> <p>The line card provides up to 144 ports of 100 GE via breakout and support QSFP+, QSFP28, and QSFP28-DD modules.</p> <p>88-LC0-36FH-M line card is supported on Cisco 8808 and Cisco 8818 modular chassis.</p>
88-LC0-36FH without MACsec, based on Q200 Silicon Chip	Release 7.3.15	<p>The Cisco 8800 modular chassis support the Cisco 8800 36x400 GE QSFP56-DD Line Card (88-LC0-36FH).</p> <p>88-LC0-36FH line card is Q200 silicon chip-based, providing 14.4 Tbps of throughput line rate without MACsec on all ports.</p> <p>The line card provides up to 144 ports of 100 GE via breakout and support QSFP+, QSFP28, and QSFP28-DD modules.</p> <p>88-LC0-36FH line card is supported on Cisco 8808 and Cisco 8818 modular chassis.</p>

Feature Name	Release	Description
88-LC0-34H14FH, based on Q200 Silicon Chip	Release 7.5.1 and Release 7.3.3	<p>This release introduces a 48-port combo line card that provides 9 Tbps of throughput. The 88-LC0-34H14FH line card is Q200 silicon chip-based and comprises 34 ports of 100 GbE (QSFP28) and 14 ports of 400 GbE (QSFP-DD). Sixteen 100 GbE ports are MACsec capable. 100 GbE ports support 4x10/25 GbE breakout, and 400 GbE ports support 4x100 GbE, 2x100 GbE, and 4x10/25 GbE breakout.</p> <p>The 88-LC0-34H14FH line card is supported on Cisco 8800 series modular chassis.</p> <p>For more information on this line card, see the Cisco 8000 Series Routers Data Sheet.</p>

Feature Name	Release	Description
88-LC0-34H14FH-O Line Card based on the Q200 Silicon Chip	Release 7.5.2	<p>This release introduces the Q200 silicon chip-based 88-LC0-34H14FH-O line card with these highlights:</p> <ul style="list-style-type: none"> • A 48-port combination line card providing 9 Tbps of throughput. • 34 ports of 100 GbE (QSFP28) and 14 ports of 400 GbE (QSFP-DD). • Sixteen 100 GbE ports are MACsec capable. • 100 GbE ports support 4x10/25 GbE breakout. • 400 GbE ports support 4x100 GbE, 2x100 GbE, and 4x10/25 GbE breakout. • Supports Cisco-qualified open-source network operating systems, such as SONiC (Software for Open Networking in the Cloud). <p>See the Cisco 8000 Series Routers Data Sheet for more information on this line card. The details available for 88-LC0-34H14FH line card in the datasheet are also applicable to 88-LC0-34H14FH-O line card.</p>

Cisco 8800 Series Routers support the following line cards:

Table 8: Supported Line Cards and Transceivers

Line Card PIDs	Transceivers
8800-LC-48H	QSFP28 / QSFP+
8800-LC-36FH	QSFP56-DD / QSFP28 / QSFP+
88-LC0-36FH	QSFP56-DD / QSFP28 / QSFP+
88-LC0-36FH-M	QSFP56-DD / QSFP28 / QSFP+

88-LC0-36FH and 88-LC0-36FH-M line cards are compatible with Q100 and Q200 silicon based fabric cards.

88-LC0-34H14FH and 88-LC0-34H14FH-O Line Card

The following image explains the port configuration details of the 88-LC0-34H14FH and 88-LC0-34H14FH-O line card:

Figure 1: 88-LC0-34H14FH and 88-LC0-34H14FH-O Line Card

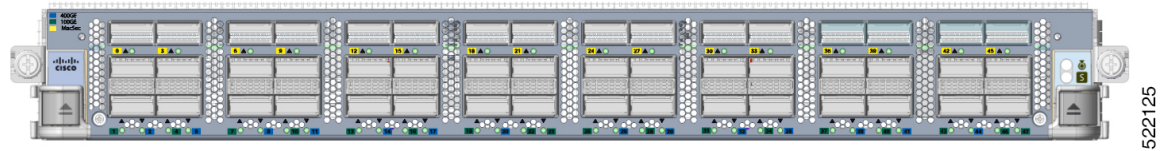


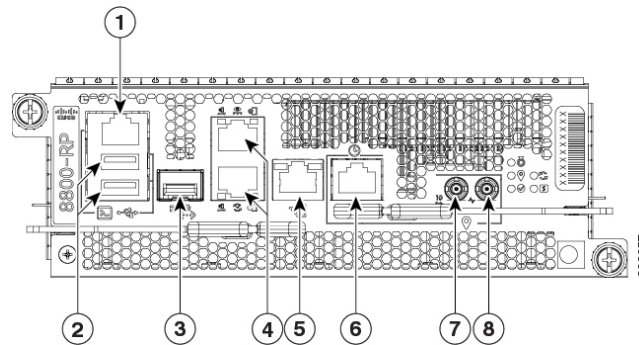
Table 9: Port Description

Port Color	Description
Blue	Fourteen 400 GbE QSFP-DD ports. These ports support 4x100 GbE, 2x100 GbE, and 4x10/25 GbE breakout.
Green	Eighteen 100 GbE QSFP28 ports. These ports support 4x10/25 GbE breakout.
Yellow	Sixteen 100 GbE QSFP28 MACsec-capable ports. These ports support 4x10/25 GbE breakout.

Route Processor Card Overview

Route Processor cards (8800-RP) manage all routing operations on the Cisco 8800 Series Routers.

Figure 2: Route Processor



1	Console RS-232 Serial Port RJ45	5	SyncE BITS/DTI/J.211
2	USB Port Type-A (2-ports). Port A gets detected ahead of Port B. Top: Port B Bottom: Port A	6	G.703 Time-of-Day (TOD)

3	Control Plane Expansion SFP/SFP+ port	7	1.0/2.3 50 ohm connector for 10 MHz, input, and output
4	Top: Management Ethernet (10/100/1000-Mbps) RJ-45 (Copper) port LAN. Bottom: IEEE 1588 Precision Time Protocol (PTP)	8	1.0/2.3 50 ohm connector for 1 PPS, input, and output

Fabric Card Overview

Table 10: Feature History Table

Feature Name	Release	Description
8804-FC0 Fabric Card based on Q200 Silicon Chip	Release 7.3.16	The Cisco 8804 modular chassis supports the Cisco 8804 fabric card (8804-FC0). The 8804-FC0 fabric card is Q200 silicon chip-based providing 9.6 Tbps. The fabric card supports 8FC and 5FC modes.
8818-FC0 Fabric Card based on Q200 Silicon Chip	Release 7.3.16	The Cisco 8818 modular chassis supports the Cisco 8818 fabric card (8818-FC0). The 8818-FC0 fabric card is Q200 silicon chip-based providing 43.2 Tbps. The fabric card supports 8FC and 5FC modes.
8808-FC0 Fabric Card based on Q200 Silicon Chip	Release 7.3.15	The Cisco 8808 modular chassis supports the Cisco 8808 fabric card (8808-FC0). The 8808-FC0 fabric card is Q200 silicon chip-based providing 21.6 Tbps. The fabric card supports 8FC and 5FC modes.

The Cisco 8800 series routers are powered by the Cisco Silicon One Q200 and Q100 series processors.

Cisco 8800 Series Routers support the following Q100 Silicon based fabric cards:

- 8818-FC—Cisco 8818 Fabric Card based on Q100 Silicon
- 8812-FC—Cisco 8812 Fabric Card based on Q100 Silicon
- 8808-FC—Cisco 8808 Fabric Card based on Q100 Silicon

Cisco 8800 Series Routers support the following Q200 Silicon based fabric cards:

- 8804-FC0—Cisco 8804 Fabric Card based on Q200 Silicon
- 8808-FC0—Cisco 8808 Fabric Card based on Q200 Silicon
- 8818-FC0—Cisco 8818 Fabric Card based on Q200 Silicon

**Caution**

The system does not support a mix of Q100 Silicon based fabric cards and Q200 Silicon based fabric cards. Attempting to mix Q100 and Q200 Silicon based fabric cards in a system could result in an equipment failure.

Temperature and Physical Specifications

For temperature and physical specifications, refer to the *Physical characteristics* table in the [Cisco 8000 Series Routers Data Sheet](#).

Weight and Power Consumption

For weight and power consumption, refer to the *Physical characteristics* table in the [Cisco 8000 Series Routers Data Sheet](#).

Airflow Direction

The airflow through the fan trays and power supplies on the Cisco 8800 series routers are from front to back (port side intake).

To ensure proper airflow for the router in your facility, position the router with its air intake on a cold aisle and the air exhaust on a hot aisle.

Maximum Power Available to the Router

The maximum power available for operations depends on the input power from your power source, the number and output capabilities of your power supplies, and the power redundancy mode that you use.

The following table lists the amount of power available for Cisco 8800 series routers from all available power trays.

Table 11: Maximum Power Available for a Router with HVAC/HVDC Power Supplies

Total Power Supply	Combined Mode in Watts (No redundancy)	N+1 Redundancy Mode in Watts (with Single Supply Loss)	Total Power Tray
1	6,300	—	1
2	12,600	6,300	
3	18,900	12,600	

Total Power Supply	Combined Mode in Watts (No redundancy)	N+1 Redundancy Mode in Watts (with Single Supply Loss)	Total Power Tray
4	25,200	18,900	2 ¹
5	31,500	25,200	
6	37,800	31,500	
7	44,100	37,800	3 ²
8	50,400	44,100	
9	56,700	50,400	
10	63,000	56,700	4 ³
11	69,300	63,000	
12	75,600	69,300	
13	81,900	75,600	5 ³
14	88,200	81,900	
15	94,500	88,200	
16	100,800	94,500	6 ³
17	107,100	100,800	
18	113,400	107,100	

**Note**

- ¹ Cisco 8804 router supports 2 power trays.
- ² Cisco 8808 and Cisco 8812 routers support 3 power trays.
- ³ Power Tray 4, 5 and 6 are applicable for Cisco 8818 Router.

Table 12: Maximum Power Available for a Router with DC60 Power Supplies (or DC100 Power Supplies in 60A Mode)

Total Power Supply	Combined Mode in Watts (No redundancy)	N+1 Redundancy Mode in Watts (with Single Supply Loss)	N+N Redundancy Mode in Watts (with Feed Loss)	Total Power Tray
1	4,400	—	2,200	1
2	8,800	4,400	4,400	
3	13,200	8,800	6,600	
4	17,600	13,200	8,800	

Total Power Supply	Combined Mode in Watts (No redundancy)	N+1 Redundancy Mode in Watts (with Single Supply Loss)	N+N Redundancy Mode in Watts (with Feed Loss)	Total Power Tray
5	22,000	17,600	11,000	2 ¹
6	26,400	22,000	13,200	
7	30,800	26,400	15,400	
8	35,200	30,800	17,600	
9	39,600	35,200	19,800	3 ²
10	44,000	39,600	22,000	
11	48,400	44,000	24,200	
12	52,800	48,400	26,400	

**Note**

- ¹ Cisco 8804 router supports 2 power trays.
- ² Cisco 8808 and Cisco 8812 routers support 3 power trays.

Total Power Supply	Combined Mode in Watts (No redundancy)	N+1 Redundancy Mode in Watts (with Single Supply Loss)	N+N Redundancy Mode in Watts (with Feed Loss)	Total Power Tray
13	57,200	52,800	28,600	4 ³
14	61,600	57,200	30,800	
15	66,000	61,600	33,000	
16	70,400	66,000	35,200	
17	74,800	70,400	37,400	5 ³
18	79,200	74,800	39,600	
19	83,600	79,200	41,800	
20	88,000	83,600	44,000	
21	92,400	88,000	46,200	6 ³
22	96,800	92,400	48,400	
23	101,200	96,800	50,600	
24	105,600	101,200	52,800	



Note ³ Power Tray 4, 5 and 6 are applicable for Cisco 8818 Router.

Table 13: Maximum Power Available for a Router with DC100 Power Supplies

Total Power Supply	Combined Mode in Watts (No redundancy)	N+1 Redundancy Mode in Watts (with Single Supply Loss)	N+N Redundancy Mode in Watts (with Feed Loss)	Total Power Tray
1	4,800	—	2,400	1
2	9,600	4,800	4,800	
3	14,400	9,600	7,200	
4	19,200	14,400	9,600	
5	24,000	19,200	12,000	2 ¹
6	28,800	24,000	14,400	
7	33,600	28,800	16,800	
8	38,400	33,600	19,200	
9	43,200	38,400	21,600	3 ²
10	48,000	43,200	24,000	
11	52,800	48,000	26,400	
12	57,600	52,800	28,800	



- Note**
- ¹ Cisco 8804 router supports 2 power trays.
 - ² Cisco 8808 and Cisco 8812 routers support 3 power trays.

Total Power Supply	Combined Mode in Watts (No redundancy)	N+1 Redundancy Mode in Watts (with Single Supply Loss)	N+N Redundancy Mode in Watts (with Feed Loss)	Total Power Tray
13	62,400	57,600	31,200	4 ³
14	67,200	62,400	33,600	
15	72,000	67,200	36,000	
16	76,800	72,000	38,400	

Total Power Supply	Combined Mode in Watts (No redundancy)	N+1 Redundancy Mode in Watts (with Single Supply Loss)	N+N Redundancy Mode in Watts (with Feed Loss)	Total Power Tray
17	81,600	76,800	40,800	5 ³
18	86,400	81,600	43,200	
19	91,200	86,400	45,600	
20	96,000	91,200	48,000	
21	10,0800	96,000	50,400	6 ³
22	105,600	10,0800	52,800	
23	110,400	105,600	55,200	
24	115,200	110,400	57,600	



Note ³ Power Tray 4, 5 and 6 are applicable for Cisco 8818 Router.

Supported Optics



Note To determine which transceivers and cables are supported by this router, refer to the Transceiver Module Group (TMG) Compatibility Matrix Tool:

<https://tmgmatrix.cisco.com/home>

- For QSFP-DD data sheets, refer to the [Cisco 400G QSFP-DD Cable and Transceiver Modules Data Sheet](#).
- For QSFP28 data sheets, refer to the [Cisco 100GBASE QSFP-100G Modules Data Sheet](#).
- For QSFP+ data sheets, refer to the [Cisco 40GBASE QSFP Modules Data Sheet](#).



CHAPTER 2

Prepare for Installation



Note The images in this chapter are only for representational purposes, unless specified otherwise. The chassis' actual appearance and size may vary.



Warning **Statement 1071**—Warning Definition

IMPORTANT SAFETY INSTRUCTIONS

This warning symbol means danger. You are in a situation that could cause bodily injury. Before you work on any equipment, be aware of the hazards involved with electrical circuitry, and be familiar with standard practices for preventing accidents. Use the statement number provided at the end of each warning to locate its translation in the translated safety warnings that accompanied this device.

SAVE THESE INSTRUCTIONS

- [Safety Guidelines, on page 15](#)
- [Compliance and Safety Information, on page 16](#)
- [Laser Safety, on page 18](#)
- [Energy Hazard, on page 18](#)
- [Preventing Electrostatic Discharge Damage, on page 18](#)
- [Cautions and Regulatory Compliance Statements for NEBS, on page 19](#)
- [Installation Guidelines, on page 20](#)
- [Procure Tools and Equipment, on page 20](#)
- [Prepare Your Location , on page 21](#)
- [Prepare Yourself , on page 22](#)
- [Prepare Rack for Chassis Installation, on page 23](#)
- [Clearance Requirements, on page 24](#)

Safety Guidelines

Before you perform any procedure in this document, review the safety guidelines in this section to avoid injuring yourself or damaging the equipment. The following guidelines are for your safety and to protect the equipment. Because the guidelines do not include all hazards, be constantly alert.

- Keep the work area clear, smoke and dust-free during and after installation. Do not allow dirt or debris to enter into any laser-based components.
- Do not wear loose clothing, jewelry, or other items that could get caught in the router or other associated components.
- Cisco equipment operates safely when used in accordance with its specifications and product-usage instructions.
- Be sure to power down a fixed configuration PDU or modular configuration power shelf before removing it from the chassis.
- If potentially hazardous conditions exist, do not work alone.
- Take care when connecting multiple units to the supply circuit so that wiring is not overloaded.
- This equipment must be grounded. Never defeat the ground conductor or operate the equipment in the absence of a suitably installed ground conductor. Contact the appropriate electrical inspection authority or an electrician if you are uncertain about whether suitable grounding is available.
- When installing or replacing the unit, the ground connection must always be made first and disconnected last.
- To prevent personal injury or damage to the chassis, never attempt to lift or tilt the chassis using the handles on modules (such as power supplies, fans, or cards); these types of handles are not designed to support the weight of the unit.
- Hazardous voltage or energy is present on the backplane when the system is operating. Use caution when servicing.
- The rack stabilizing mechanism must be in place, or the rack must be bolted to the floor before you slide out the unit for servicing. Failure to stabilize the rack may cause the rack to tip over.

Compliance and Safety Information

The Cisco 8000 Series Routers are designed to meet the regulatory compliance and safety approval requirements. For detailed safety information, see [Regulatory Compliance and Safety Information—Cisco 8000 Series Routers](#).



Warning **Statement 1089**—Instructed and Skilled Person Definitions

An instructed person is someone who has been instructed and trained by a skilled person and takes the necessary precautions when working with equipment.

A skilled person or qualified personnel is someone who has training or experience in the equipment technology and understands potential hazards when working with equipment.



Warning **Statement 1004**—Installation Instructions

Read the installation instructions before using, installing, or connecting the system to the power source.



Warning Statement 1040—Product Disposal

Ultimate disposal of this product should be handled according to all national laws and regulations.



Warning Statement 1074—Comply with Local and National Electrical Codes

To reduce risk of electric shock or fire, installation of the equipment must comply with local and national electrical codes.



Warning Statement 371—Power Cable and AC Adapter

When installing the product, use the provided or designated connection cables, power cables, AC adapters, and batteries. Using any other cables or adapters could cause a malfunction or a fire. Electrical Appliance and Material Safety Law prohibits the use of UL-certified cables (that have the "UL" or "CSA" shown on the cord), not regulated with the subject law by showing "PSE" on the cord, for any other electrical devices than products designated by Cisco.



Warning Statement 1030—Equipment Installation

Only trained and qualified personnel should be allowed to install, replace, or service this equipment.



Warning Statement 1090—Installation by Skilled Person

Only a skilled person should be allowed to install, replace, or service this equipment. See statement 1089 for the definition of a skilled person.



Warning Statement 1091—Installation by an Instructed Person

Only an instructed person or skilled person should be allowed to install, replace, or service this equipment. See statement 1089 for the definition of an instructed or skilled person.



Warning Statement 1029—Blank Faceplates and Cover Panels

Blank faceplates and cover panels serve three important functions: they reduce the risk of electric shock and fire, they contain electromagnetic interference (EMI) that might disrupt other equipment, and they direct the flow of cooling air through the chassis. Do not operate the system unless all cards, faceplates, front covers, and rear covers are in place.

Laser Safety



Warning **Statement 1051**—Laser Radiation

Invisible laser radiation may be emitted from disconnected fibers or connectors. Do not stare into beams or view directly with optical instruments.



Warning **Statement 1055**—Class 1/1M Laser

Invisible laser radiation is present. Do not expose to users of telescopic optics. This applies to Class 1/1M laser products.



Warning **Statement 1255**—Laser Compliance Statement

Pluggable optical modules comply with IEC 60825-1 Ed. 3 and 21 CFR 1040.10 and 1040.11 with or without exception for conformance with IEC 60825-1 Ed. 3 as described in Laser Notice No. 56, dated May 8, 2019.

Energy Hazard

The routers can be configured for a DC power source. Do not touch terminals while they are live. Observe the following warning to prevent injury.



Warning **Statement 1086**—Power Terminals

Hazardous voltage or energy may be present on power terminals. Always replace cover when terminals are not in service. Be sure uninsulated conductors are not accessible when cover is in place.

Preventing Electrostatic Discharge Damage

Many router components can be damaged by static electricity. Not exercising the proper electrostatic discharge (ESD) precautions can result in intermittent or complete component failures. To minimize the potential for ESD damage, always use an ESD-preventive antistatic wrist strap (or ankle strap) and ensure that it makes adequate skin contact.



Note Check the resistance value of the ESD-preventive strap periodically. The measurement should be 1–10 megohms.

Before you perform any of the procedures in this guide, attach an ESD-preventive strap to your wrist and connect the leash to the chassis.

Cautions and Regulatory Compliance Statements for NEBS

The NEBS-GR-1089-CORE regulatory compliance statements and requirements are discussed in this section.



Warning The intrabuilding port(s) of the equipment or subassembly, which is the management Ethernet port, must use shielded intrabuilding cabling/wiring that is grounded at both ends. Statement 7003



Warning The intrabuilding port(s) of the equipment or subassembly, which is the management Ethernet port, must not be metallically connected to interfaces that connect to the OSP or its wiring. These interfaces are designed for use as intrabuilding interfaces only (Type 2 or Type 4 ports as described in GR-1089-CORE) and require isolation from the exposed OSP cabling. The addition of Primary Protectors is not sufficient protection in order to connect these interfaces metallically to OSP wiring. Statement 7005



Warning This equipment shall be connected to AC mains provided with a surge protective device (SPD) at the service equipment complying with NFPA 70, the National Electrical Code (NEC). Statement 7012



Warning This equipment is suitable for installations utilizing the Common Bonding Network (CBN). Statement 7013



Warning The battery return conductor of this equipment shall be treated as (DC-I). Statement 7016



Warning This equipment is suitable for installation in Network Telecommunications Facilities. Statement 8015



Warning This equipment is suitable for installation in locations where the NEC applies. Statement 8016

Installation Guidelines

Before installing the chassis, ensure that the following guidelines are met:

- Site is properly prepared so that there is sufficient room for installation and maintenance.
- Operating environment is within the ranges that are listed in Environment and Physical specifications. For more details on environmental requirements, see [Cisco 8000 Series Routers Data Sheet](#).
- Chassis is mounted at the bottom of the rack if it is the only unit in the rack.
- When mounting the chassis in a partially filled rack, load the rack from the bottom to the top with the heaviest component at the bottom of the rack.
- If the rack is provided with stabilizing devices, install the stabilizers before mounting or servicing the chassis in the rack.
- Airflow around the chassis and through the vents is unrestricted.
- Cabling is away from sources of electrical noise, such as radios, power lines, and fluorescent lighting fixtures. Make sure that the cabling is safely away from other devices that might damage the cables.
- Each port must match the wave-length specifications on each end of the cable, and the cable must not exceed the stipulated cable length.



Note Cisco 8000 Series Routers function in operating temperatures of up to 40°C at sea level. For every 300 meters (1000 ft), the maximum temperature is reduced by 1°C. For more details on environmental requirements, see [Cisco 8000 Series Routers Data Sheet](#).

Procure Tools and Equipment

Obtain these necessary tools and equipment for installing the chassis:

- Number 1 and number 2 Phillips screwdrivers with torque capability to rack-mount the chassis.
- 3/16-inch flat-blade screwdriver.
- Tape measure and level.
- ESD wrist strap or other grounding device.
- Antistatic mat or antistatic foam.
- Two-hole ground lug (1).
- Grounding cable (2 AWG recommended), sized according to local and national installation requirements; the required length depends on the proximity of the switch to proper grounding facilities.
- Crimping tool for lug.
- Wire-stripping tool.

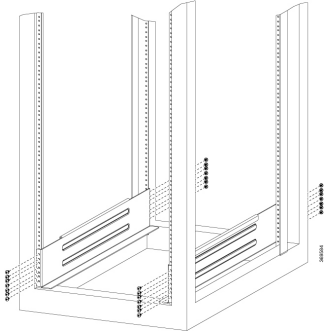
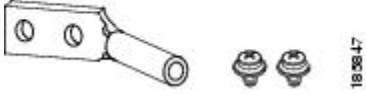
- A maximum of 70 rack mount screws can be used based on your rack selection.

Rack Mount and Accessory Kits

Router Accessory Kit

Router accessory kit (8800-INSTKIT) includes the following:

Table 14: Router Accessory Kit

Illustration	Description	Quantity
	<p>Rack mount rails:</p> <ul style="list-style-type: none"> • Support rails are non-adjustable • Set the vertical support rack rails at 32" pitch 	1
<p>Ground lug kit</p> 	<p>Ground lug kit</p> <ul style="list-style-type: none"> • Two-hole lug (1) • 1/4"-20 Phillips pan-head screws (2) 	1

More Hardware Components

If you purchased this product through a Cisco reseller, you might receive more contents in your kit, such as documentation, hardware, and power cables.

The shipped cables depend on your specification when placing an order. See the *Power Supply Power Cord Specifications* section for information on the available power cords.

If you notice any discrepancies or damage, send the following information to your customer service representative by email:

- Invoice number of the shipper (see the packing slip)
- Model and serial number of the missing or damaged unit
- Description of the problem and how it affects the installation
- Photos of the damage to external packaging, internal packaging, and product

Prepare Your Location

This section illustrates how the building that houses the chassis must be properly grounded to the earth ground.

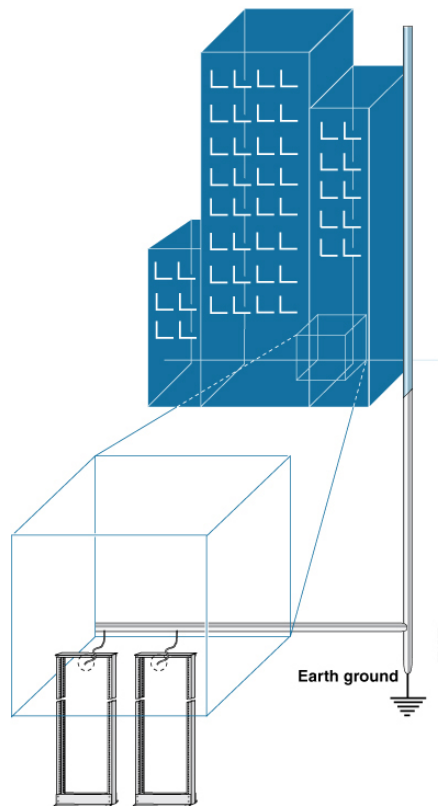


Note Unless specified otherwise, the image is only for representational purposes. The rack's actual appearance and size may vary.



Note This image is only for representational purposes. Your grounding requirement depends on your building.

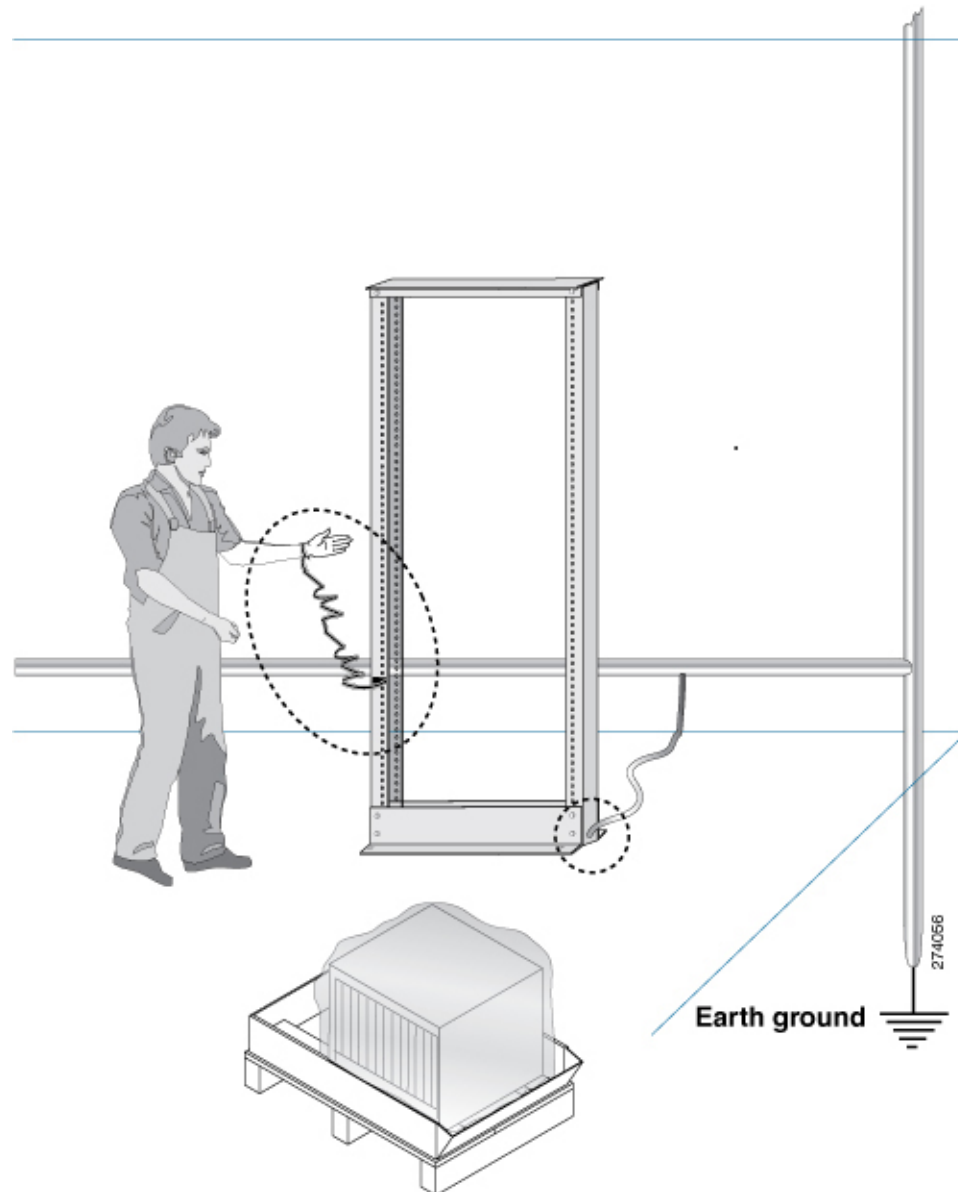
Figure 3: Building with Rack Room Connected to Earth Ground



Prepare Yourself

This section illustrates how to prepare yourself before removing the chassis from the sealed antistatic bag. The figures show how to cuff the ESD strap around the wrist and the ground cord that connects the cuff to the ground. ESD wrist straps are the primary means of controlling static charge on personnel.

Figure 4: Wearing the ESD Strap



Prepare Rack for Chassis Installation

Install the Cisco 8800 Series Routers on a standard 19 inch, Electronic Industries Alliance (EIA) rack with mounting rails that conform to English universal hole spacing according to Section 1 of the ANSI/EIA-310-D-1992 standard.

The spacing between the posts of the rack must be (EIA-310-D-1992 19-inch rack compatible) wide enough to accommodate the width of the chassis.

Before you move the chassis or mount the chassis into the rack, we recommend that you do the following:

Procedure

- Step 1** Place the rack at the location where you plan to install the chassis.
- Step 2** (Optional) Secure the rack to the floor.

To bolt the rack to the floor, a floor bolt kit (also called an anchor embedment kit) is required. For information on bolting the rack to the floor, consult a company that specializes in floor mounting kits (such as Hilti; see Hilti.com for details). Make sure that floor mounting bolts are accessible, especially if annual retorquing of bolts is required.

Note Ensure that the rack in which the chassis is being installed is grounded to earth ground.

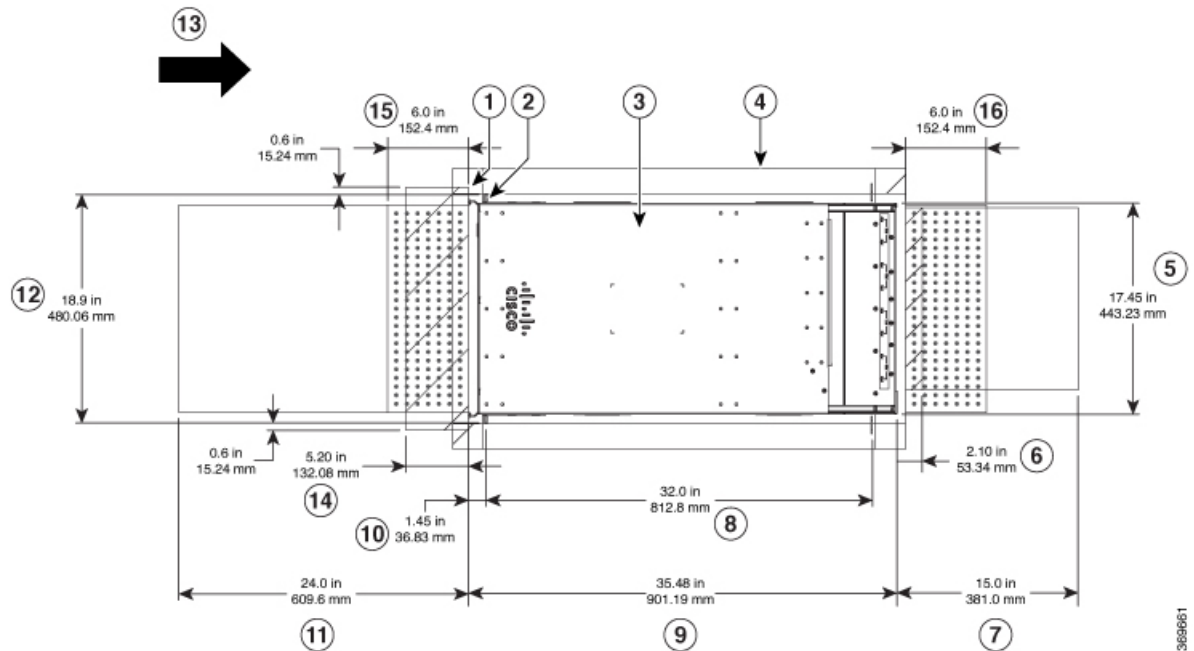
Clearance Requirements

To ensure adequate airflow, we recommend that you maintain a minimum of 6 in. (15.24 cm) front and rear clearance for air intake/exhaust.

If the router is installed in a perforated door cabinet, maintain a minimum of 6 in. (15.24 cm) from the inside of the door. The front and rear doors of the cabinet must be perforated with a minimum open area of 70%.

Following figure shows the clearances required for installation of Cisco 8800 Series Routers.

Figure 5: Clearances Required Around the Chassis

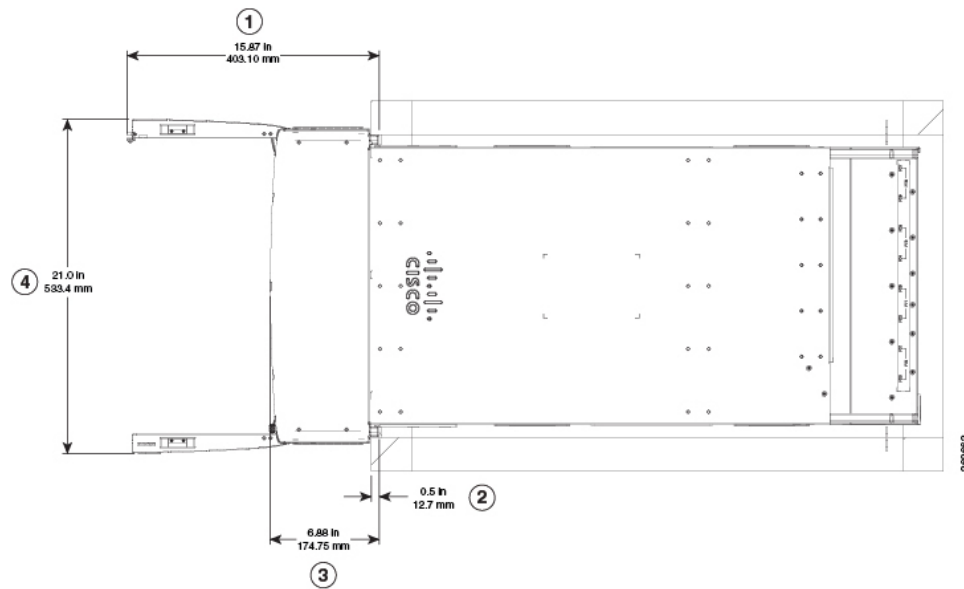


1	Vertical rack post	9	Chassis depth
---	--------------------	---	---------------

2	Vertical rack rail	10	Depth from the vertical rack rail to the front of the chassis
3	Chassis	11	Front service area for the line card replacement
4	Outside of the rack (no clearance required)	12	Front chassis width
5	Rear chassis width	13	Airflow direction
6	Clearance required for the fan tray handle at the rear	14	Clearance for line card ejector levers
7	Rear service area for the fan tray and fabric card replacement	15	Clearance required in front of the chassis for air intake
8	Mounting depth of rack vertical rails	16	Clearance required in rear of the chassis for air exhaust

Following figure shows the clearances required for the cable management of Cisco 8800 Series Routers.

Figure 6: Clearances Required Around the Chassis Door



(1) Overall door width on side (in an open position)	(3) Depth of cable management
(2) Maximum vertical rack rail setback, when filters are installed on the chassis	(4) Overall door depth on front (in an open position)



CHAPTER 3

Unpack and Install the Chassis



Note The images in this chapter are only for representation purposes, unless specified otherwise. The chassis' actual appearance and size may vary.

- [Unpack the Chassis, on page 27](#)
- [Install Bottom-Support Rails, on page 31](#)
- [Transfer Chassis to a Mechanical Lifting Device, on page 32](#)
- [Mount Chassis Into the Rack, on page 34](#)
- [Install Cable Management on a Chassis , on page 48](#)
- [Attach Front Door to Chassis, on page 59](#)

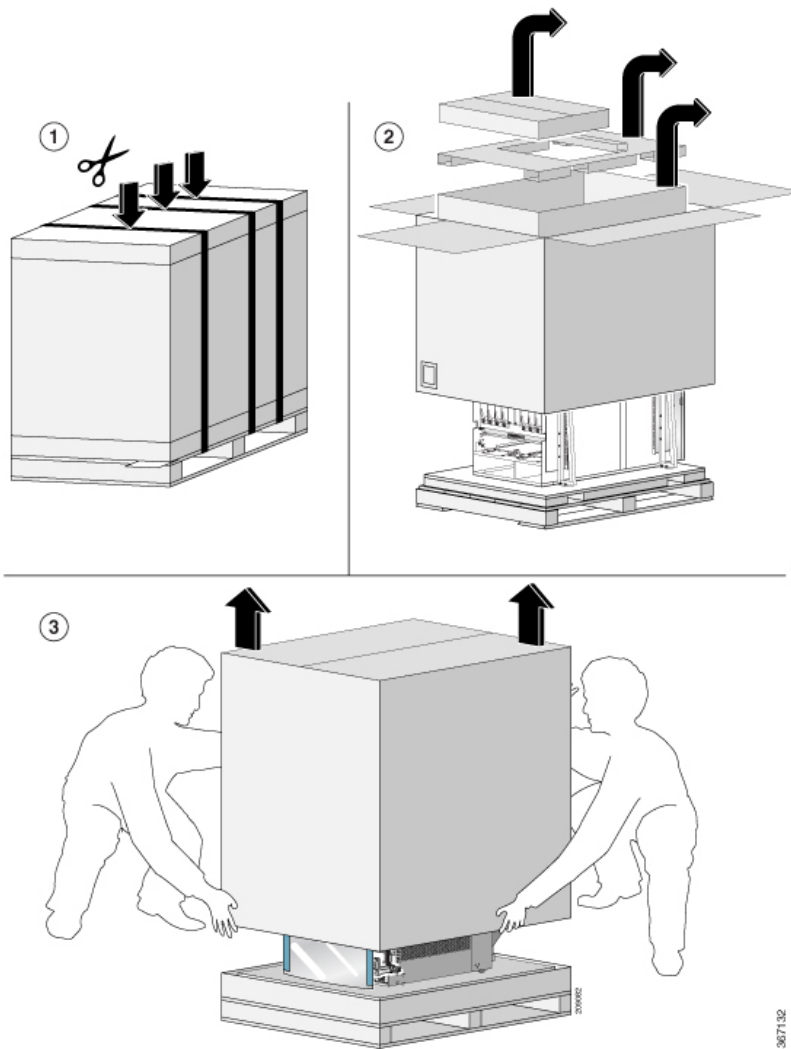
Unpack the Chassis



Tip Be sure to save the packaging in case you need to return any of the components products.

Ensure that there is sufficient room around the chassis pallet for unpacking. For information about the chassis dimensions and clearance requirements see, *Clearance Requirements*.

Carefully move the pallet containing the chassis to the staging area where you plan on unpacking it.



367132

Figure 7: Remove Shipping Brackets from 8818 Chassis

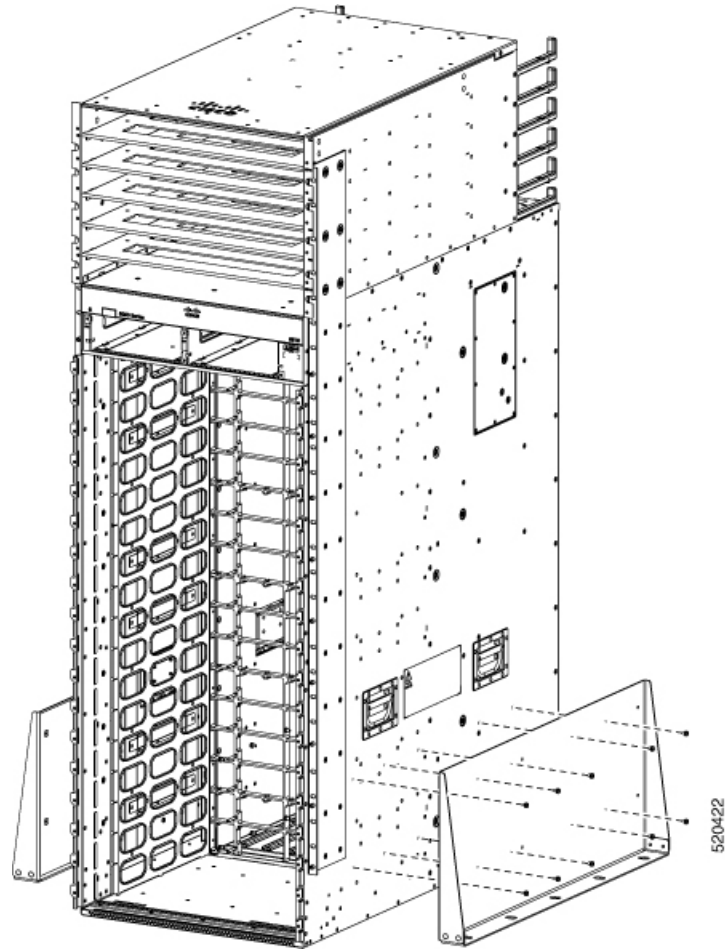


Figure 8: Remove Shipping Brackets from 8812 Chassis

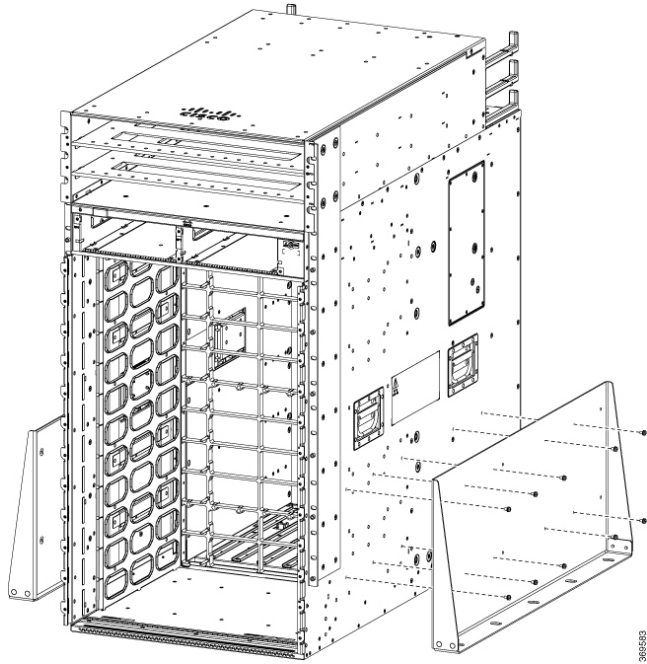


Figure 9: Remove Shipping Brackets from 8808 Chassis

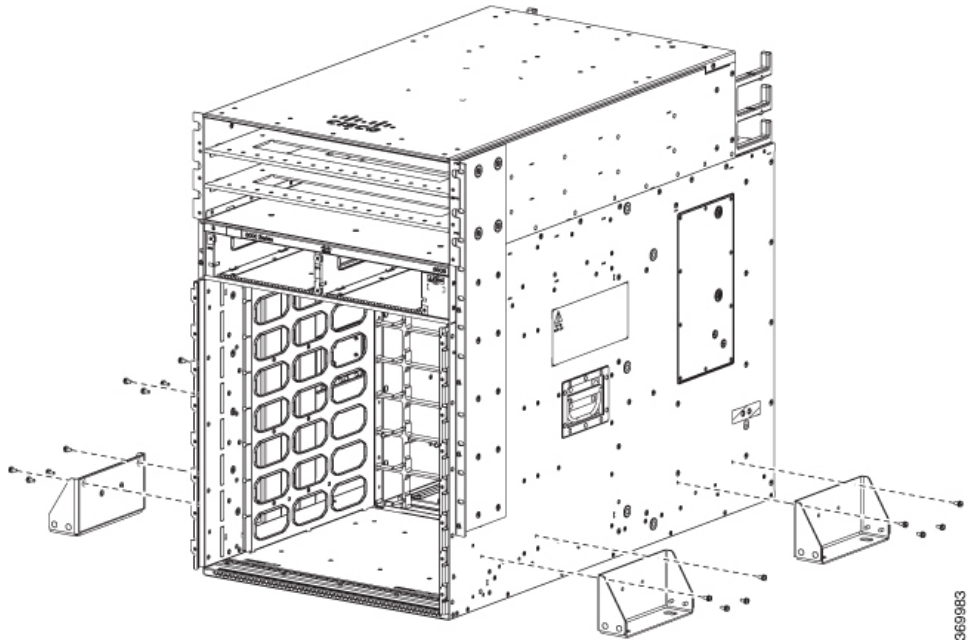
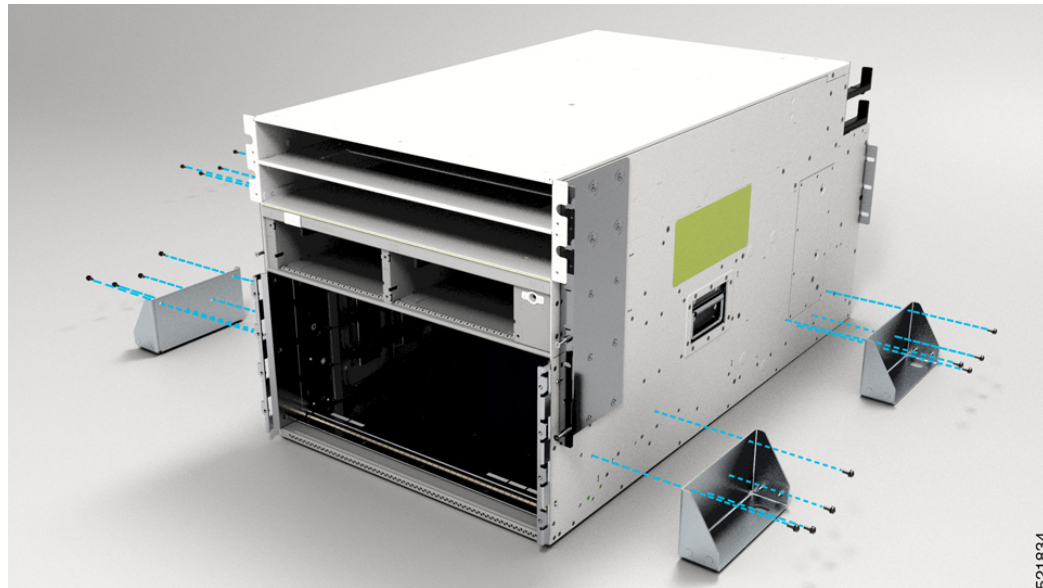


Figure 10: Remove Shipping Brackets from 8804 Chassis



Remove the shipping brackets:

- 20 x M4 screws from the 8818 chassis
- 20 x M4 screws from the 8812 chassis
- 16 x M4 screws from the 8808 chassis
- 16 x M4 screws from the 8804 chassis

To make the chassis weigh less for moving, remove the following module and place them where their connectors will not be damaged:

- Fan trays

Leave the chassis on the pallet until you are ready to move and install the chassis in a rack.

Install Bottom-Support Rails

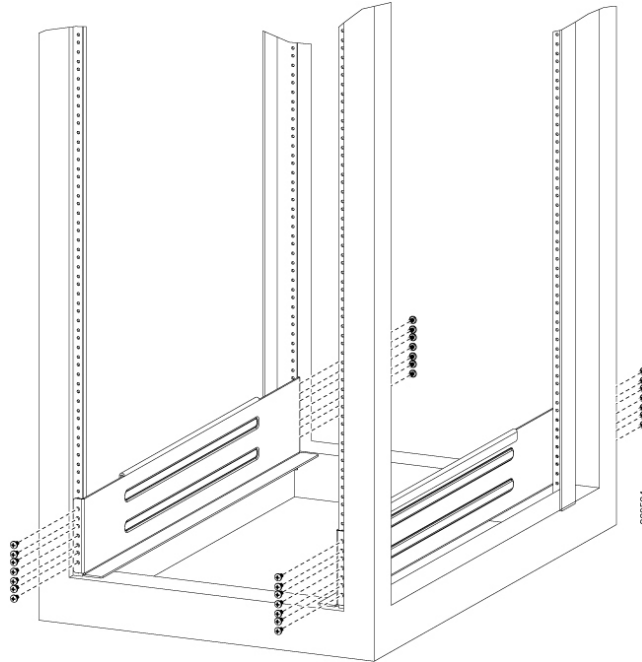
The bottom-support rails support the weight of the router chassis in the rack. To maximize the stability of the rack, you must attach these rails at the lowest possible rack unit (RU).

Procedure

- Step 1** Position the vertical rack rails at 32" depth to match with the length of the bottom-support rails. Check spacing considerations.
- Maintain at least 21 RU (36.75 inches [93.34 cm]) for 8812 chassis and 16 RU (28 inches [71.12 cm]) for 8808 chassis of vertical space above support rails.

- Step 2** Attach the bottom-support rail to the rack using a Phillips torque screwdriver on M6 x 19 mm or 12–24 x 3/4 inch screws for each end of the rail (as shown in the following figure) and tighten each screw to 40 in-lbs (4.5 N-m) of torque.

Figure 11: Attach Bottom-Support Rails to a Rack



Note Use at least three screws on each end of each bottom-support rail.

- Step 3** Repeat Steps 1 and 2 to attach the other bottom-support rail to the rack.

Note Make sure that the two bottom-support rails are level with one another. If they are not level, adjust the higher rail down to the level of the lower rail.

What to do next

Mount the chassis into the rack.

Transfer Chassis to a Mechanical Lifting Device

Procedure

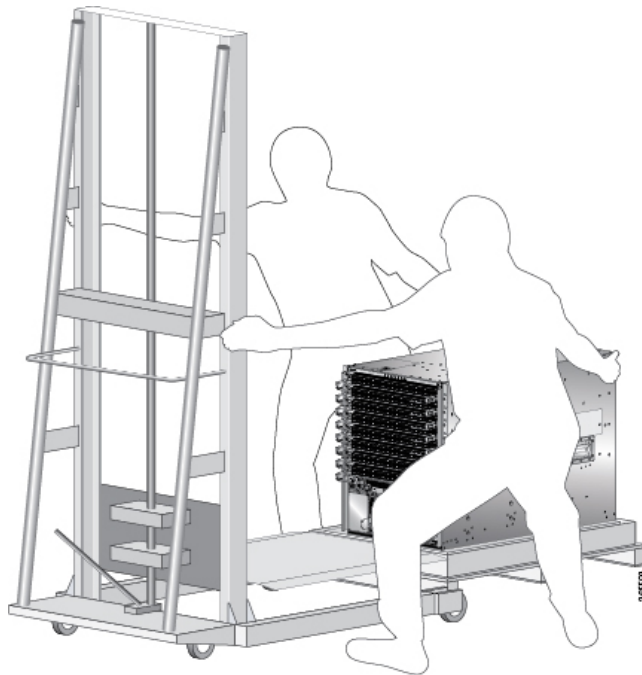
- Step 1** Place the mechanical lifting device in front of the chassis on the pallet (or on Line Card side) as shown.

Figure 12: Align the Lifting Device in Front of the Chassis on the Pallet



- Step 2** Prepare to use the mechanical lifting device by placing a piece of cardboard on the surface of the lift (to prevent scratching).
- Step 3** With at least two or three people move the chassis carefully from the pallet onto the lifting device as shown.

Figure 13: Move the Chassis on to the Lifting Device



What to do next

After moving the chassis to the room or area where you will install it, begin the procedure to mount the chassis into the rack.

Mount Chassis Into the Rack

To accommodate equipment racks with different mounting hole patterns, the chassis mounting brackets have groups of screw holes on either side. The mounting holes in the chassis mounting brackets are spaced so that one mounting hole in each hole group aligns with a corresponding hole in the equipment rack. By using the corresponding mounting hole (in the same hole group) on the opposite side of the chassis, you can level the chassis in the rack.



Note To lift the chassis, use a mechanical lift. Do not use the handles on the side of the chassis. Use the side handles for only repositioning the chassis after it is already on the mechanical lift or in the rack or cabinet.

Procedure

- Step 1** Using your mechanical lift, raise the chassis so that it is in level with or not more than 1/4 inch [0.635cm] above the rails.

- Step 2** Push the chassis all the way onto the rack so that the vertical mounting brackets on the front of the chassis come in contact with the vertical mounting rails on the rack.
- Step 3** Use screws provided with the rack to secure the chassis with the vertical mounting rails on the rack.

Figure 14: Attach 8818 Chassis to Rack - Front

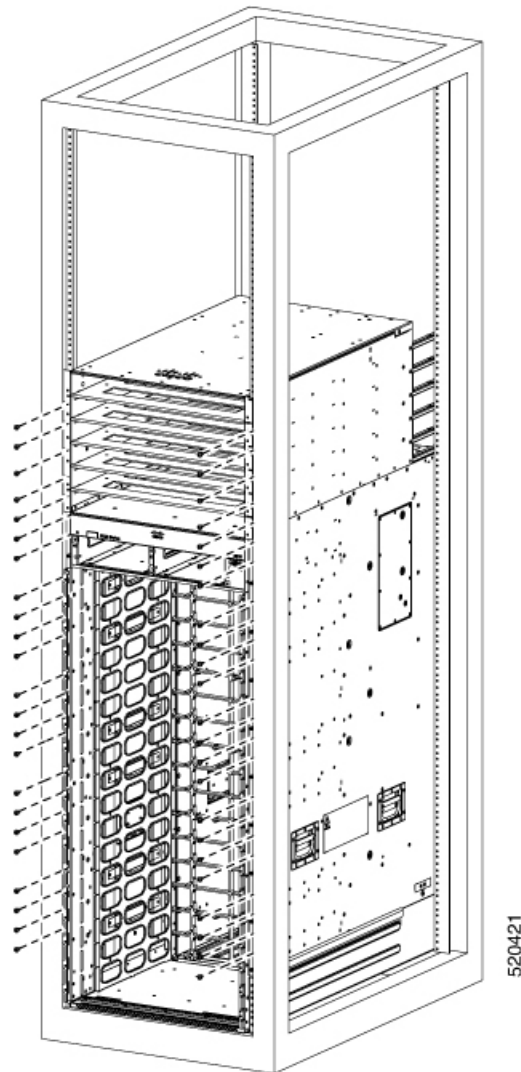


Figure 15: Attach 8812 Chassis to Rack - Front

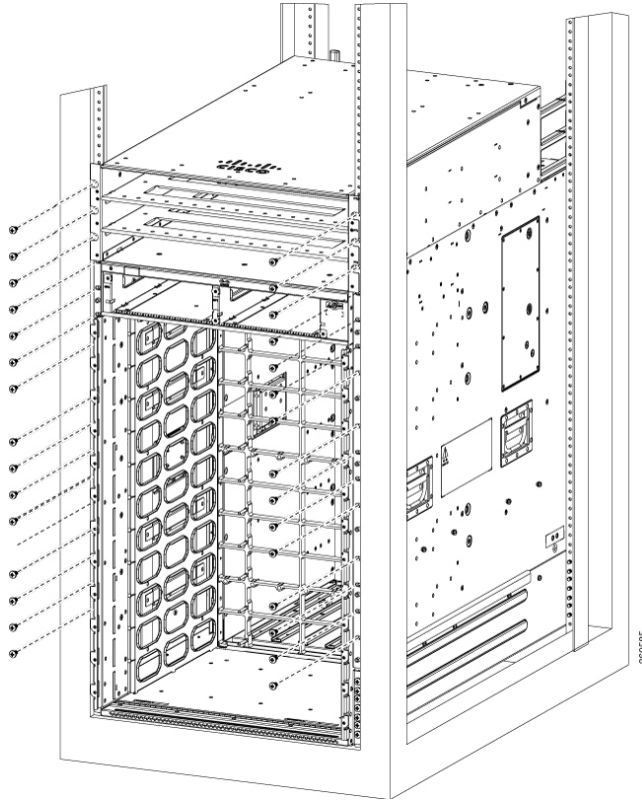


Figure 16: Attach 8808 Chassis to Rack - Front

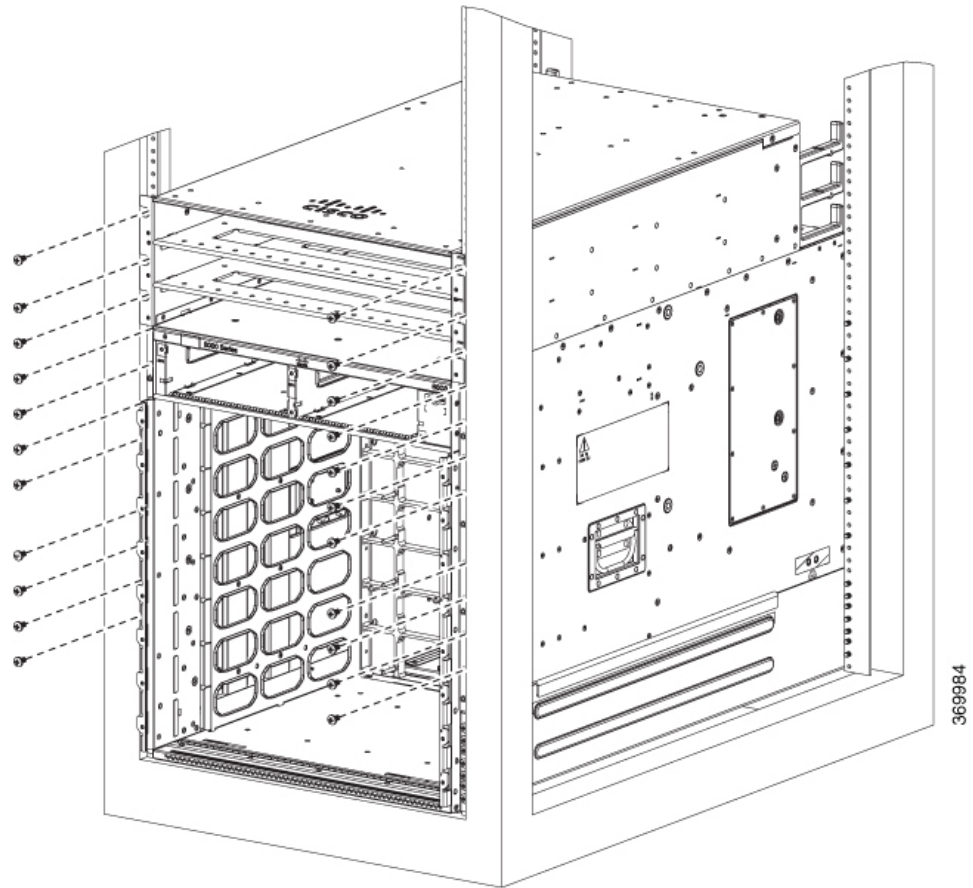
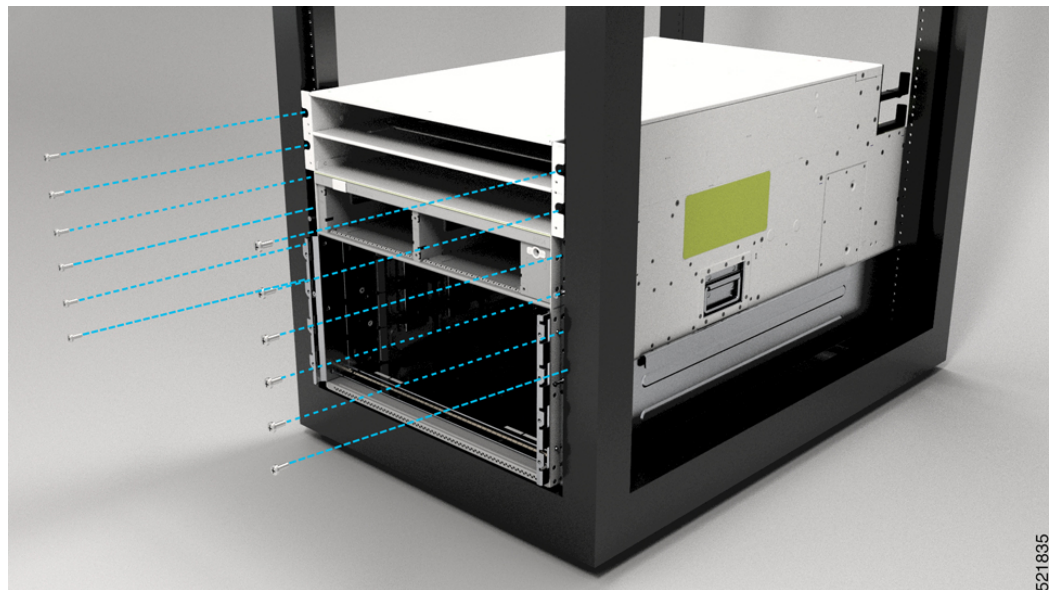


Figure 17: Attach 8804 Chassis to Rack - Front



Note You should remove the power shelf to facilitate attaching chassis to the rack.

Table 15: Screws Required to Secure the Cisco 8800 Chassis to the Rack

Chassis	Screws for Front	Screws for Rear
Cisco 8818	46	17
Cisco 8812	30	12
Cisco 8808	22	14
Cisco 8804	12	10

Step 4 Use the screws provided with the rack to attach the chassis rear rails.

Figure 18: Attach 8818 Chassis to Rack - Rear Left View

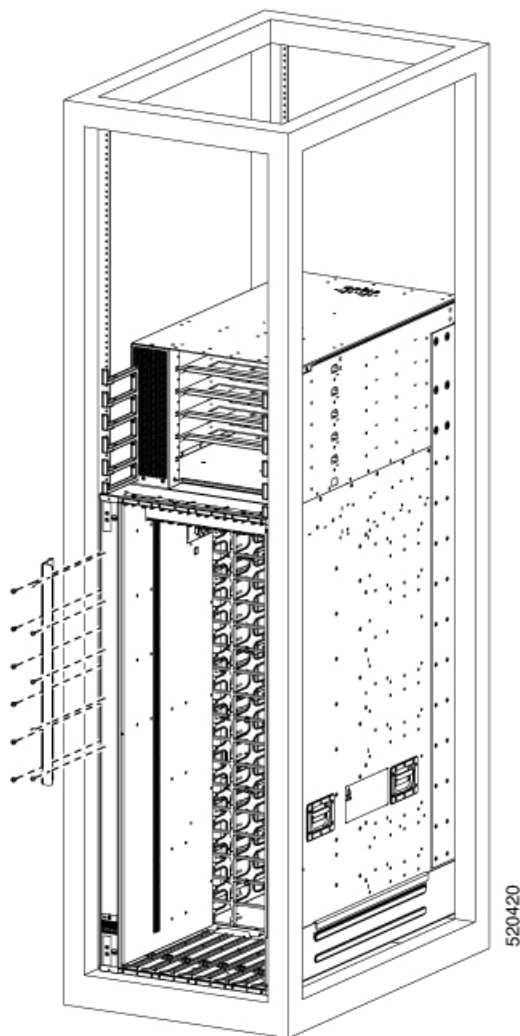


Figure 19: Attach 8818 Chassis to Rack - Rear Right View

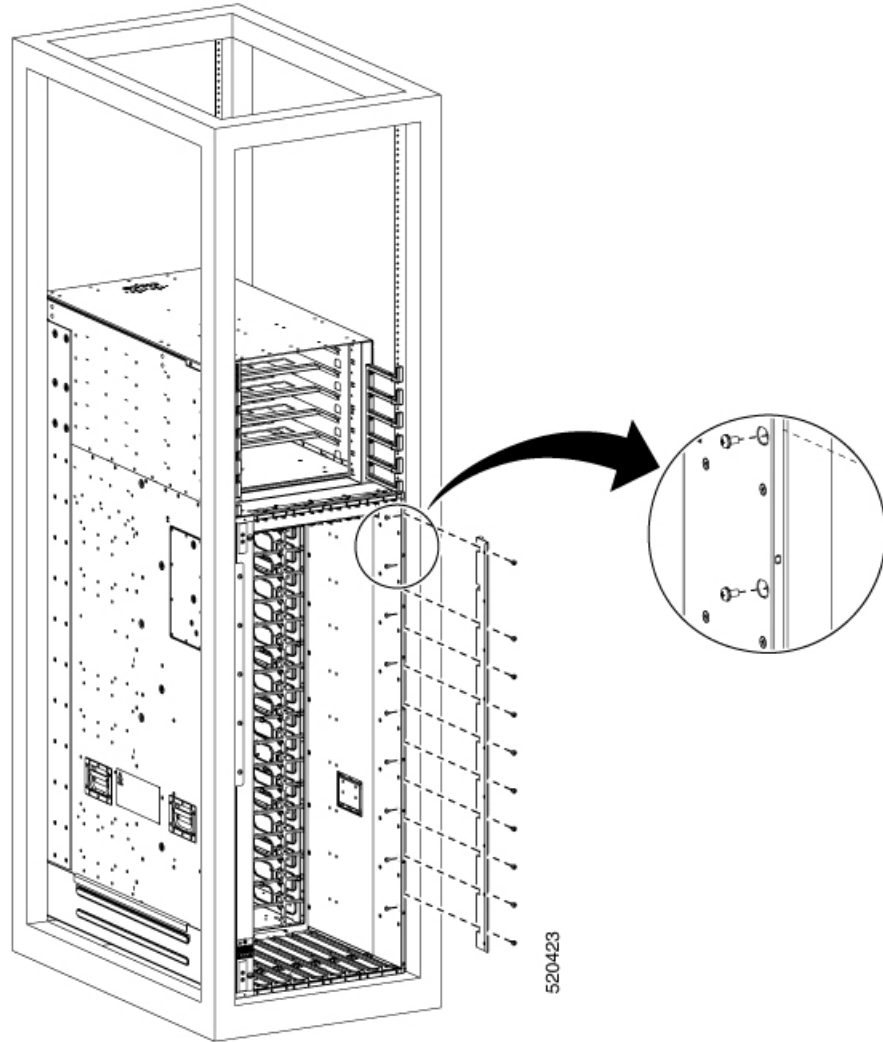


Figure 20: Attach 8812 Chassis to Rack - Rear Left View

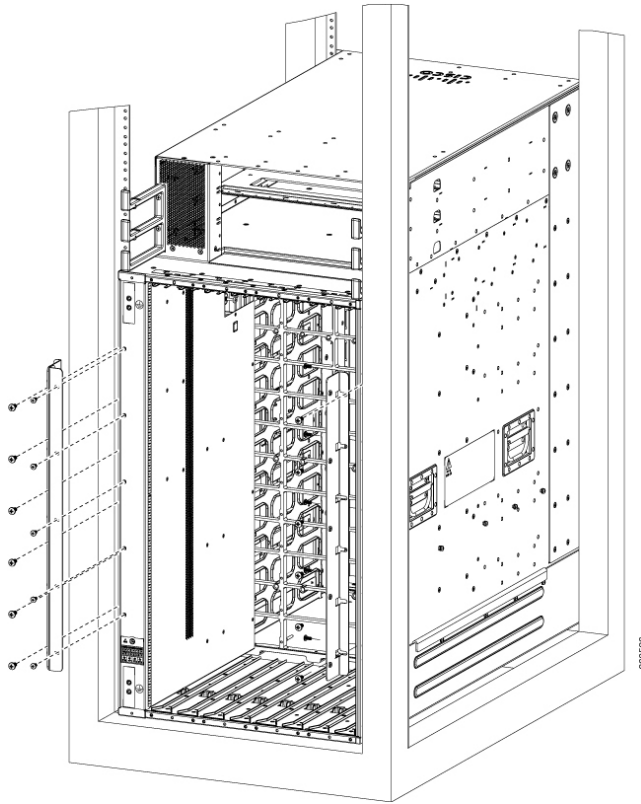
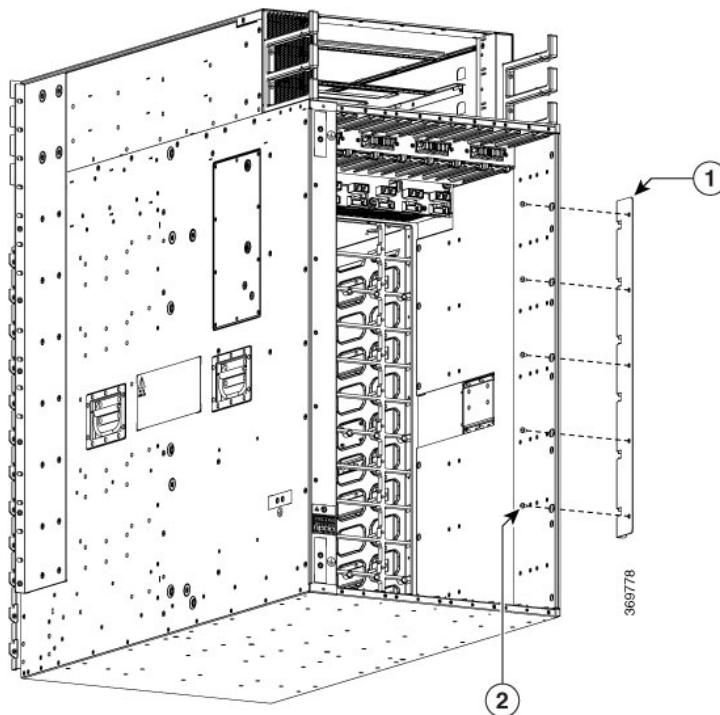


Figure 21: Attach 8812 Chassis to Rack - Rear Right View



1	Rear right rack mounting bracket.	2	Install screws from inside the chassis to tighten each screw to 26 in-lbs (2.93 N-m) of torque.
---	-----------------------------------	---	---

Figure 22: Attach 8808 Chassis to Rack - Rear Left View

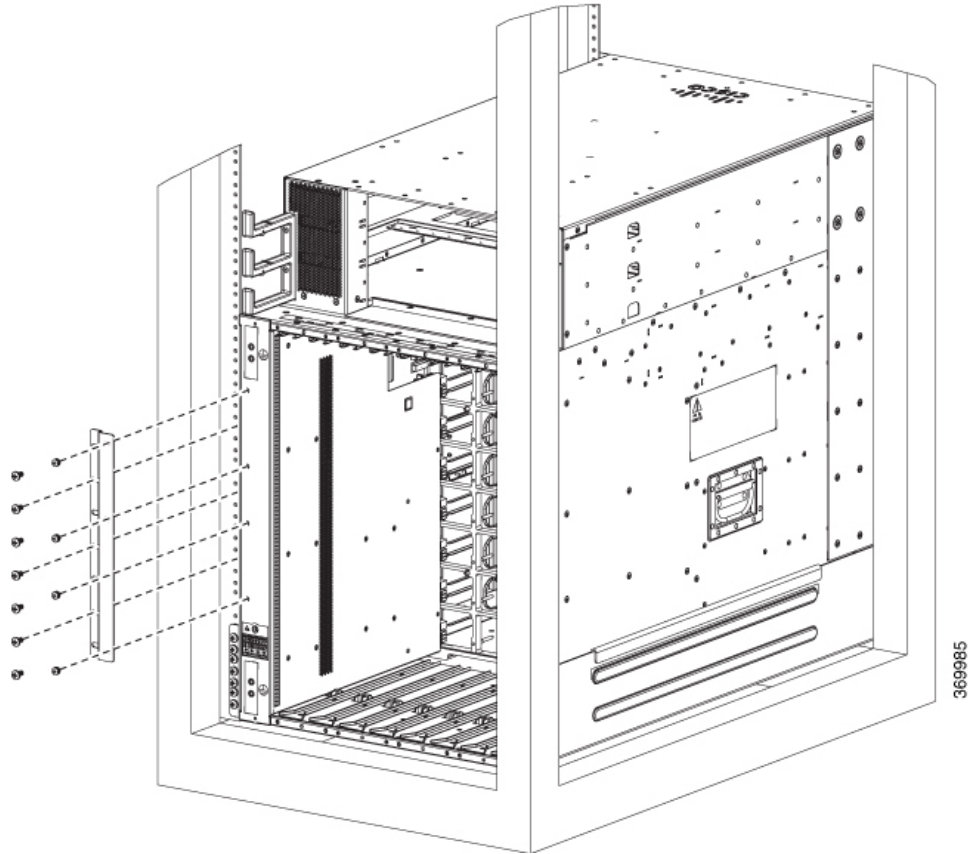


Figure 23: Attach 8808 Chassis to Rack - Rear Right View

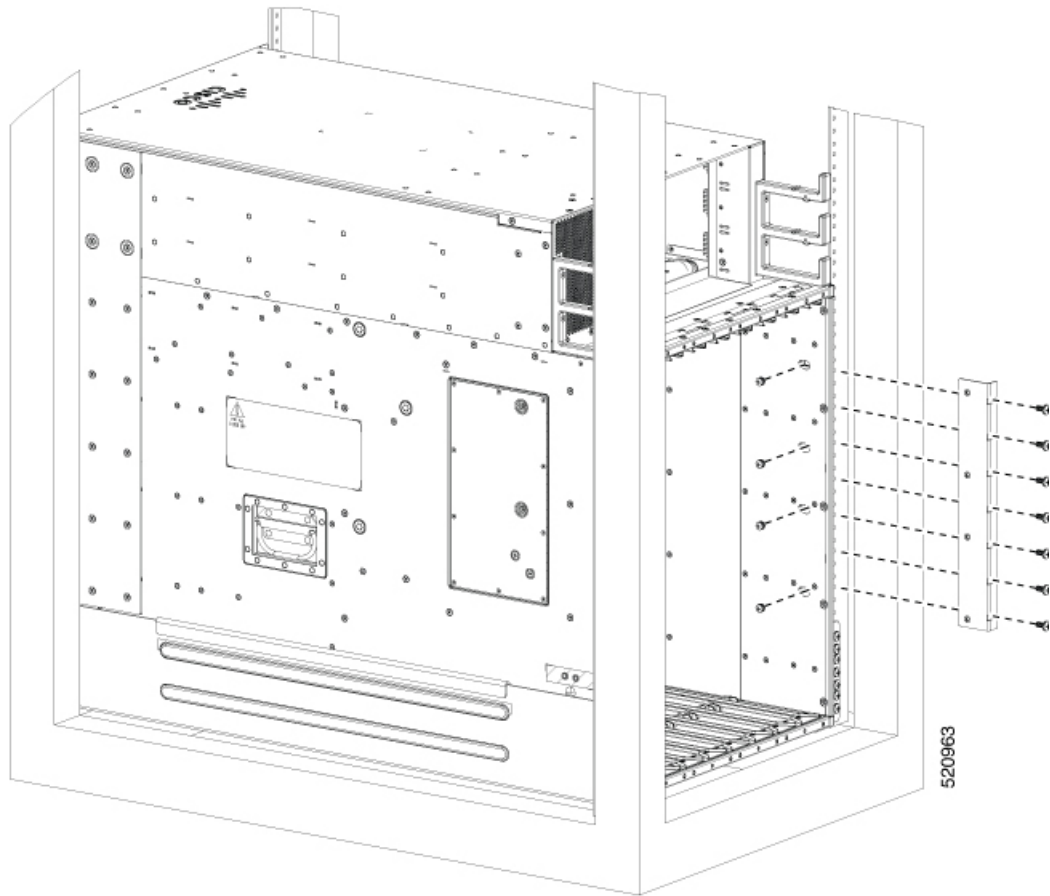
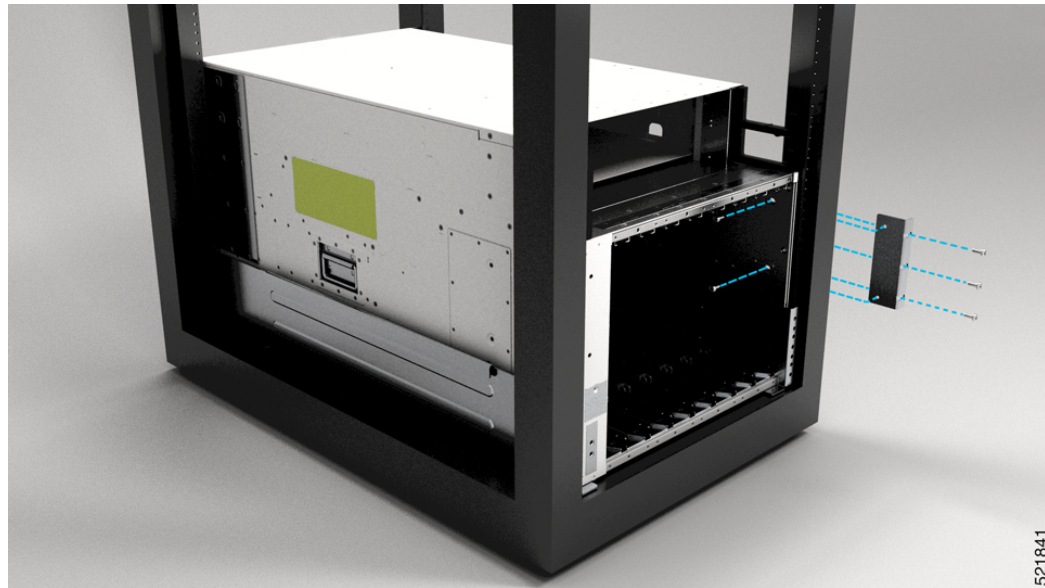


Figure 24: Attach 8804 Chassis to Rack - Rear Left View



Figure 25: Attach 8804 Chassis to Rack - Rear Right View



Note We provide 10-32 screws to secure the left and right bracket. The screws to attach bracket to rack come from rack supplier.

What to do next

Connect the chassis to the ground at your facility.

Locate and Ground the Chassis

Procedure

- Step 1** Locate the chassis grounding receptacles on your router chassis. You can locate them at the following position:
- At the left side panel, lower section towards the rear

Figure 26: Chassis Ground Receptacles on Cisco 8818 Chassis

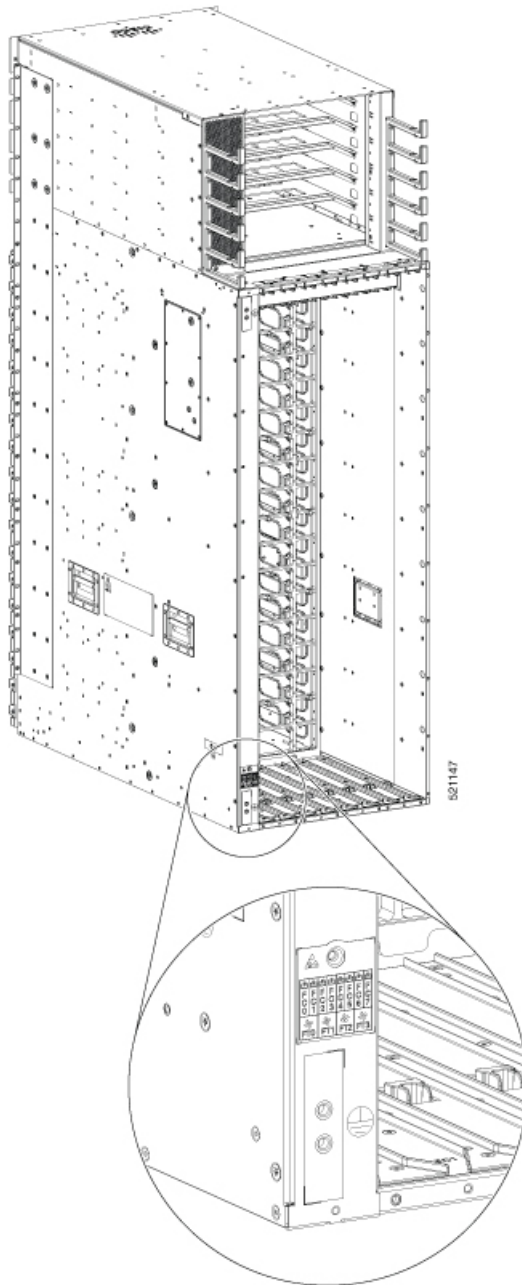


Figure 27: Chassis Ground Receptacles on Cisco 8812 Chassis

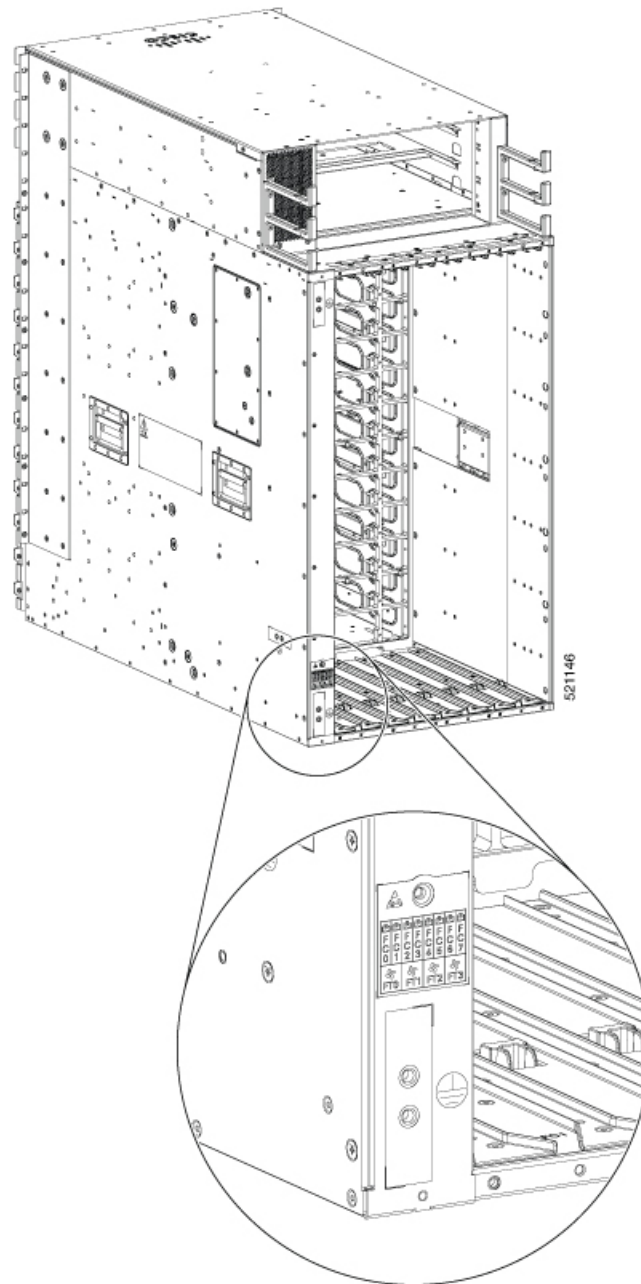


Figure 28: Chassis Ground Receptacles on Cisco 8808 Chassis

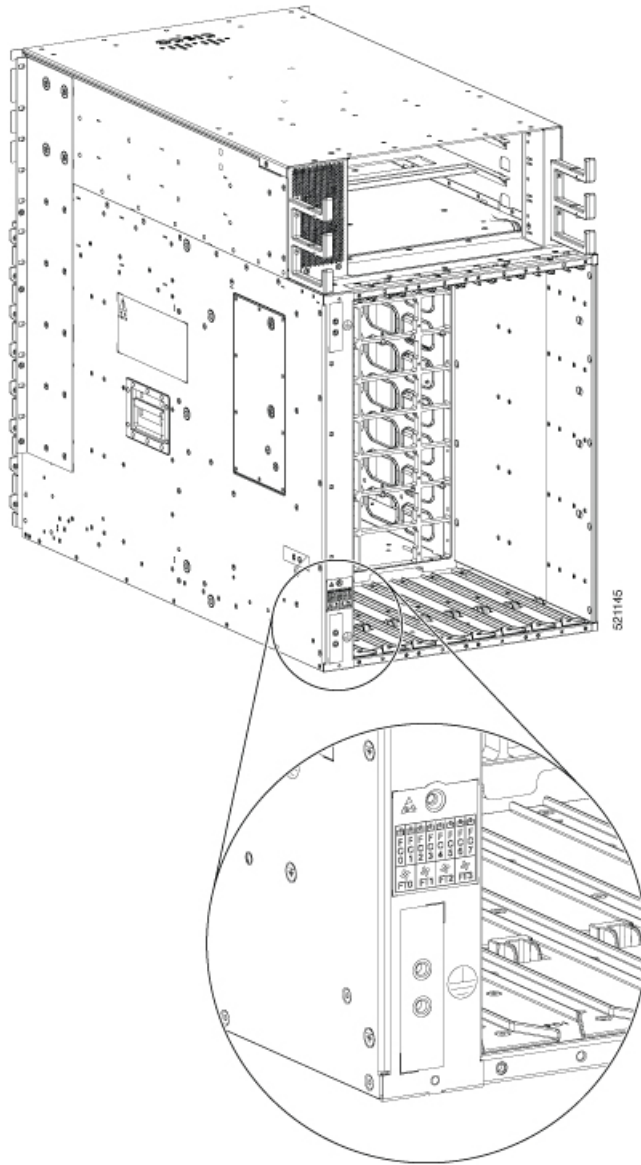
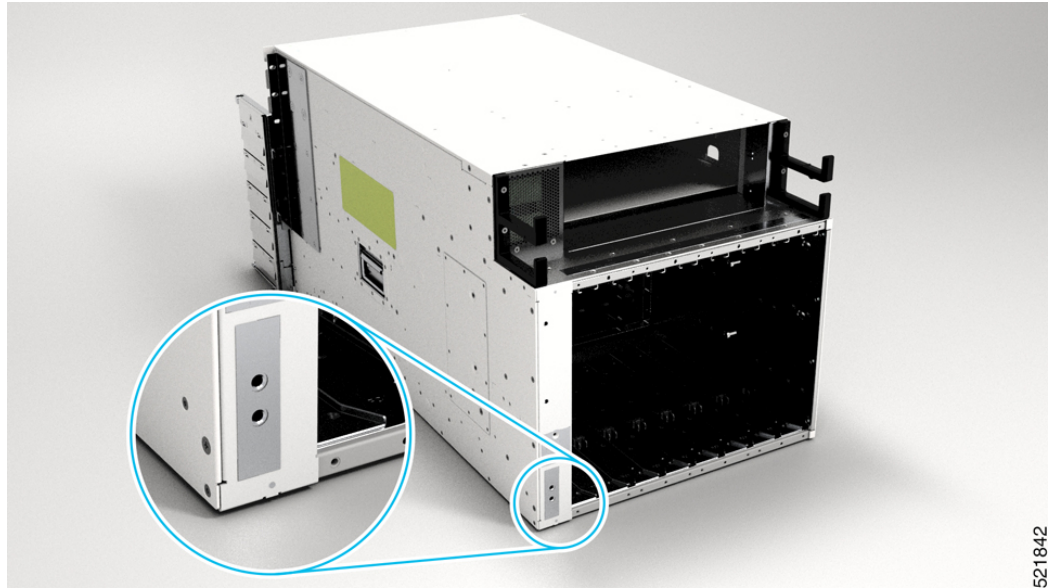


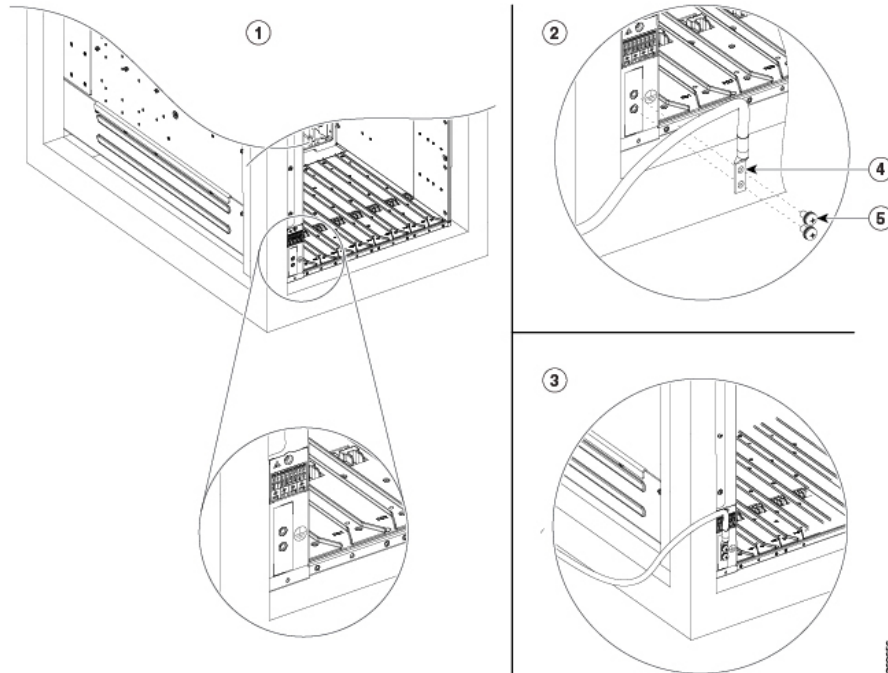
Figure 29: Chassis Ground Receptacles on Cisco 8804 Chassis



521842

- Step 2** Use the wire stripper to strip one end of the 2-AWG wire approximately 0.75 inches (19.05 mm).
- Step 3** Insert the 2-AWG wire into the wire receptacle on the grounding lug.

Figure 30: Ground the Chassis



300556

1	Locate ground	4	Align the lug holes
---	---------------	---	---------------------

2	Prepare lug	5	Tighten the screws
3	Ground the chassis		

- Step 4** Use the crimping tool to carefully crimp the wire receptacle around the wire; this step is required to ensure a proper mechanical connection.
- Step 5** Insert the two screws through the holes in the grounding lug. Ensure that the grounding lug does not interfere with other router hardware components.
- Step 6** Use the Phillips screwdriver to carefully tighten the screws to 60 in-lbs 6.7 (N-m) of torque until the grounding lug is held firmly to the chassis. Do not overtighten the screws.
- Step 7** Connect the opposite end of the grounding wire to the appropriate grounding point at your site to ensure an adequate chassis ground.

What to do next

Attach the chassis doors.

Install Cable Management on a Chassis

Before you begin

The chassis must be installed and secured to the rack.

Required tools and equipment:

- Phillips screwdriver with a torque capability (customer supplied)
- Cable management brackets (8818-CBLMGMT, 8812-CBLMGMT, 8808-CBLMGMT, or 8804-CBLMGMT).



Note The cable management assembly is shipped with the chassis.

Procedure

- Step 1** Position one of the cable management brackets on the vertical mounting bracket so that the screw holes are aligned.

Figure 31: Cable Management Brackets for 8818 Chassis

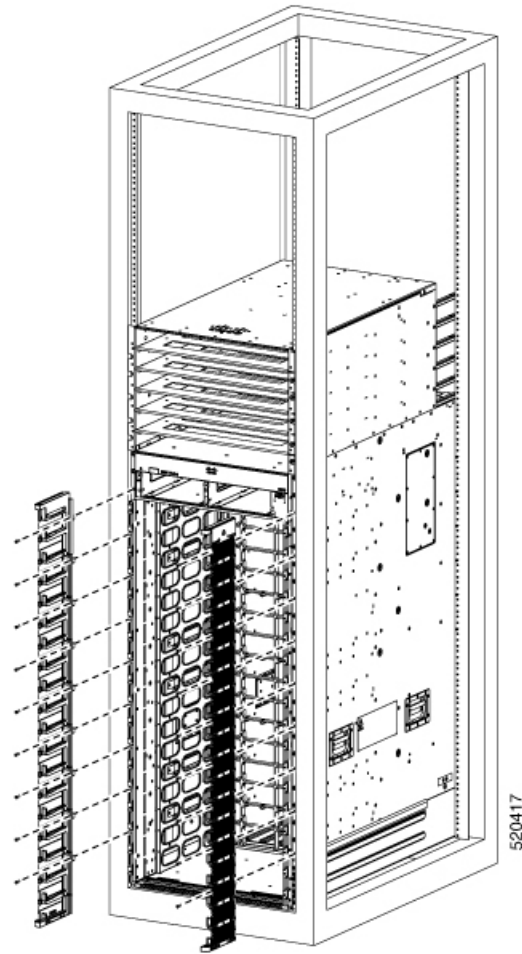


Figure 32: Cable Management Brackets for 8812 Chassis

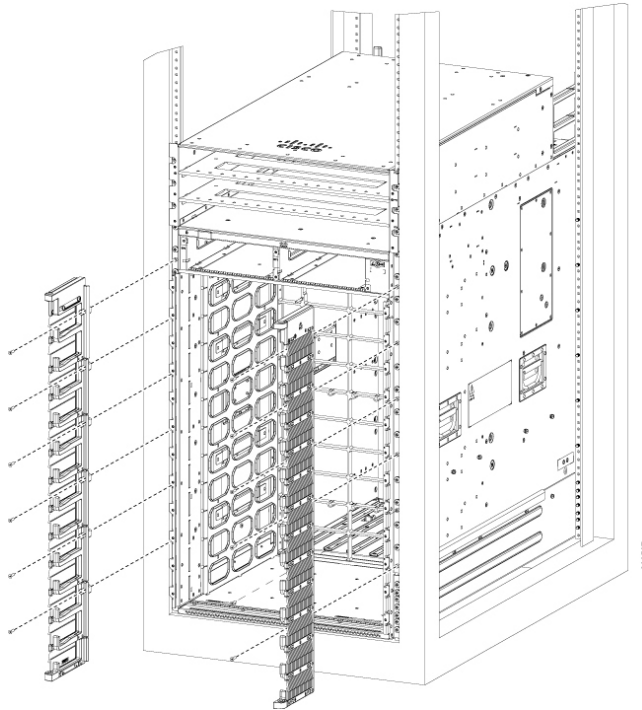


Figure 33: Cable Management Brackets for 8808 Chassis

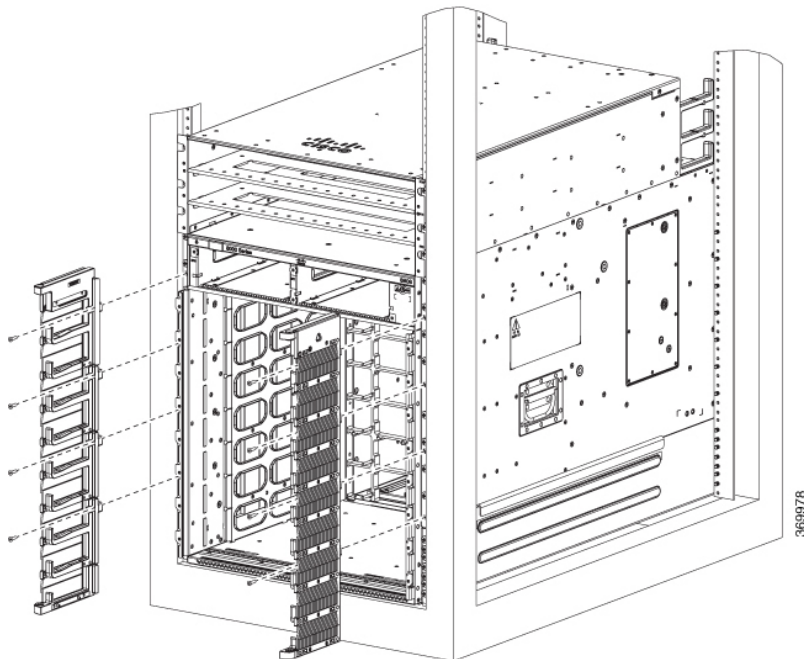
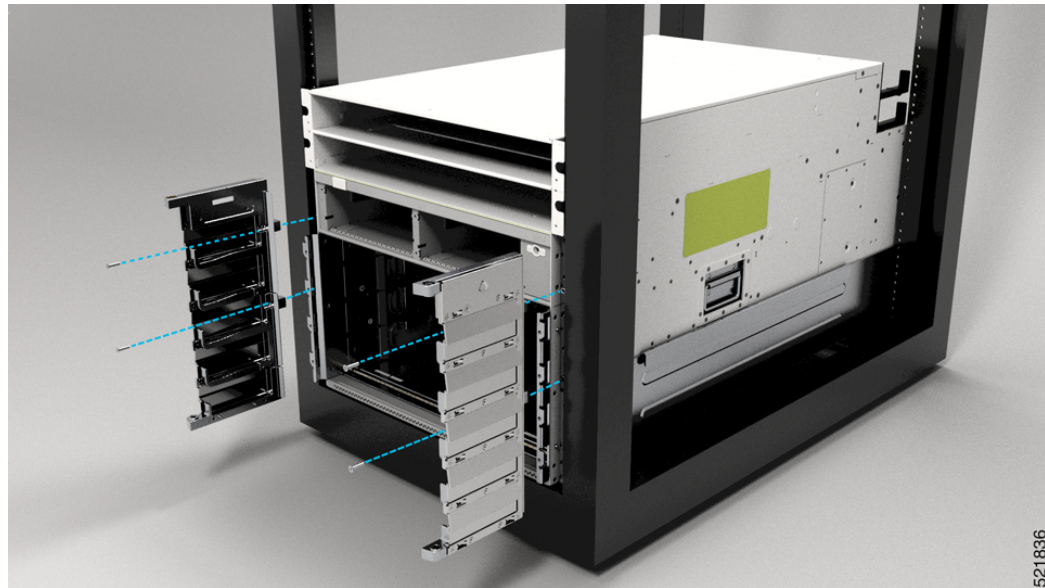


Figure 34: Cable Management Brackets for 8804 Chassis



- Step 2** Secure the left and right cable management brackets to the chassis vertical mounting brackets with M4 x 18-mm screws, flat-head Phillips screws (use all screws provided in the kit). Insert one screw at the top and one at the bottom, likewise add more screws in this sequence. The number of screws may vary based on the chassis.
- Note** Do not fully tighten the screws until the cable management brackets, bottom cover, and top hood are installed.
- Step 3** Repeat Steps 1 and 2 to attach the other cable management bracket to the vertical mounting bracket on the opposite side of the chassis.
- Step 4** Remove the power shelf bezel from the chassis and proceed with bottom cover and top hood installation.
- Step 5** Position the bottom cover, with its brackets pointing up, to the bottom of the two side cable management bracket screw holes.

Figure 35: Bottom Cover for 8818 Chassis

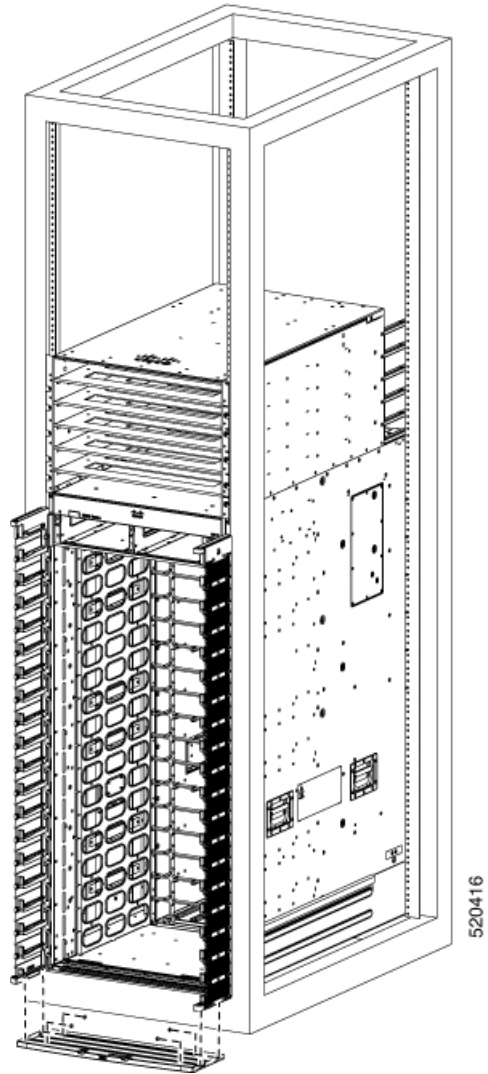


Figure 36: Bottom Cover for 8812 Chassis

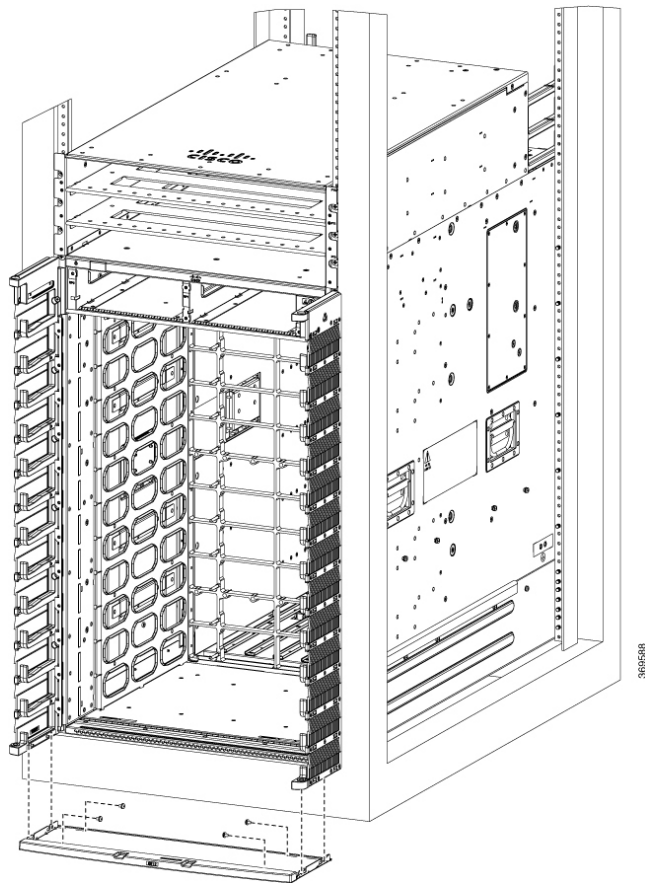
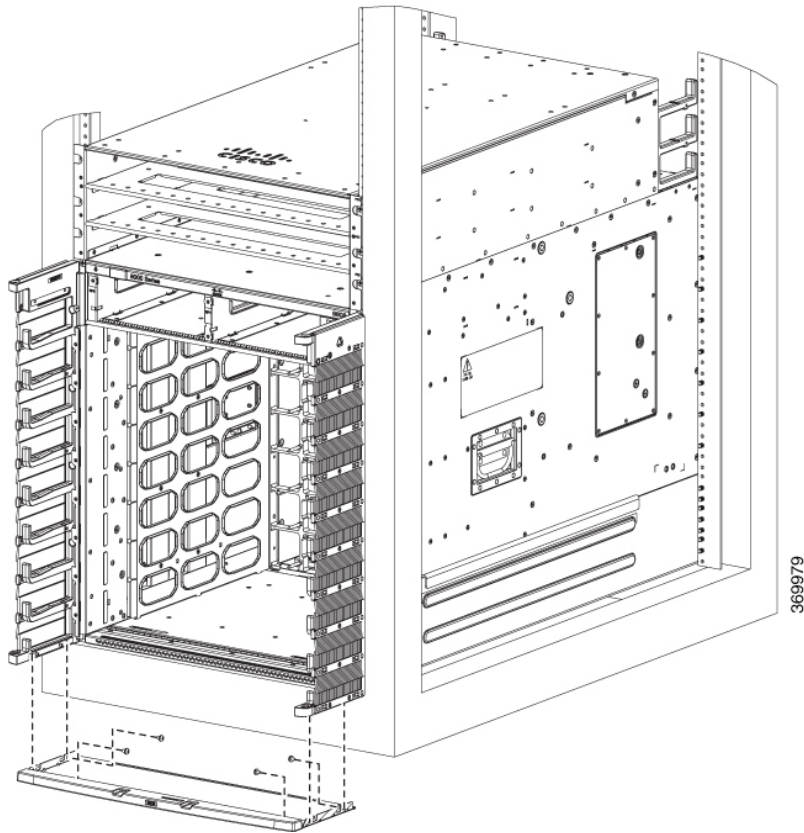
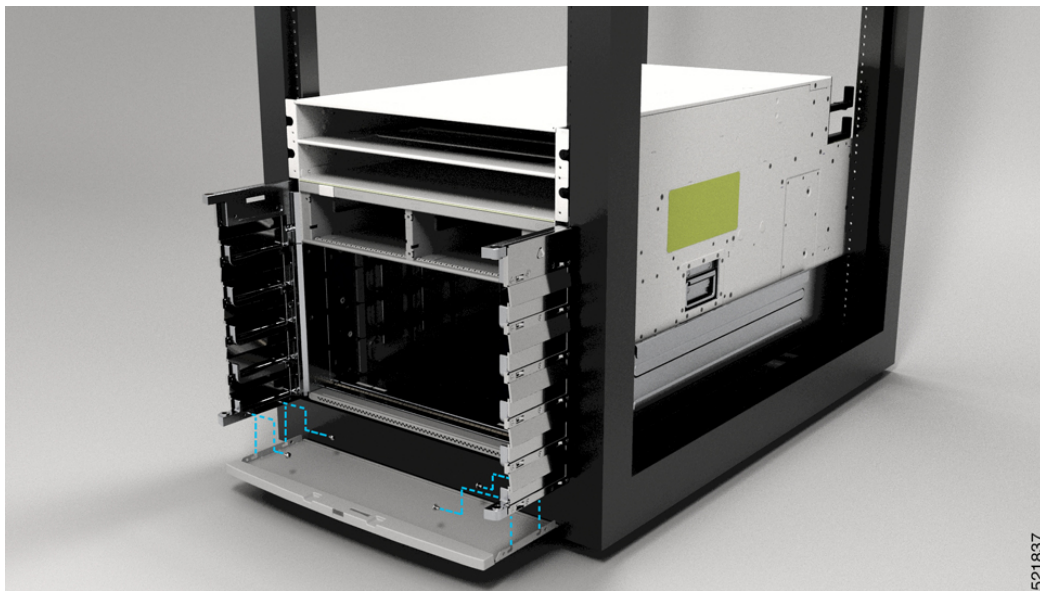
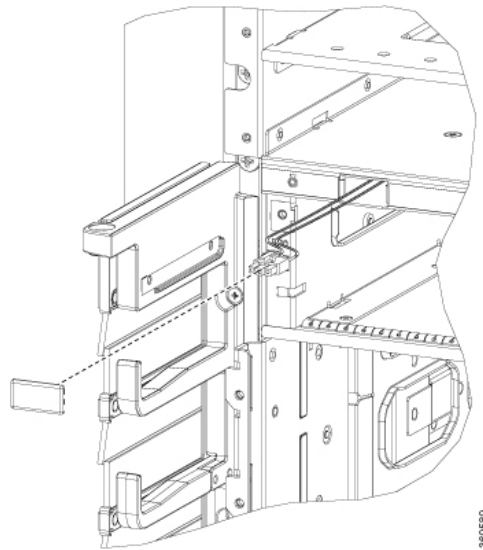


Figure 37: Bottom Cover for 8808 Chassis*Figure 38: Bottom Cover for 8804 Chassis***Step 6**

Secure the bottom cover to the cable management brackets by using four M4 x 6 mm pan-head Phillips screws. Tighten each screw to 11.5 to 15 in-lb (1.3 to 1.7 N·m) of torque.

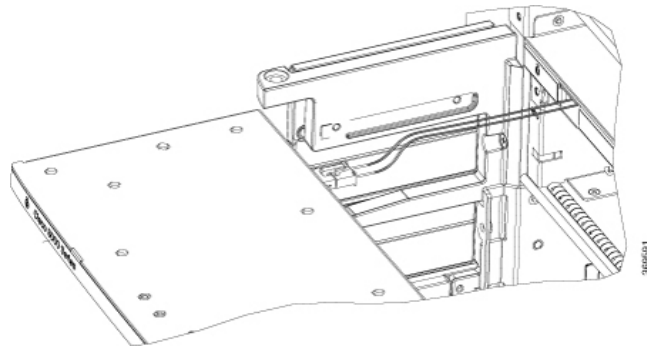
Step 7 Before you install the top hood, remove the connector cap from the alarm cable.

Figure 39: Remove Connector Cap



Step 8 Connect the alarm cable to the top hood.

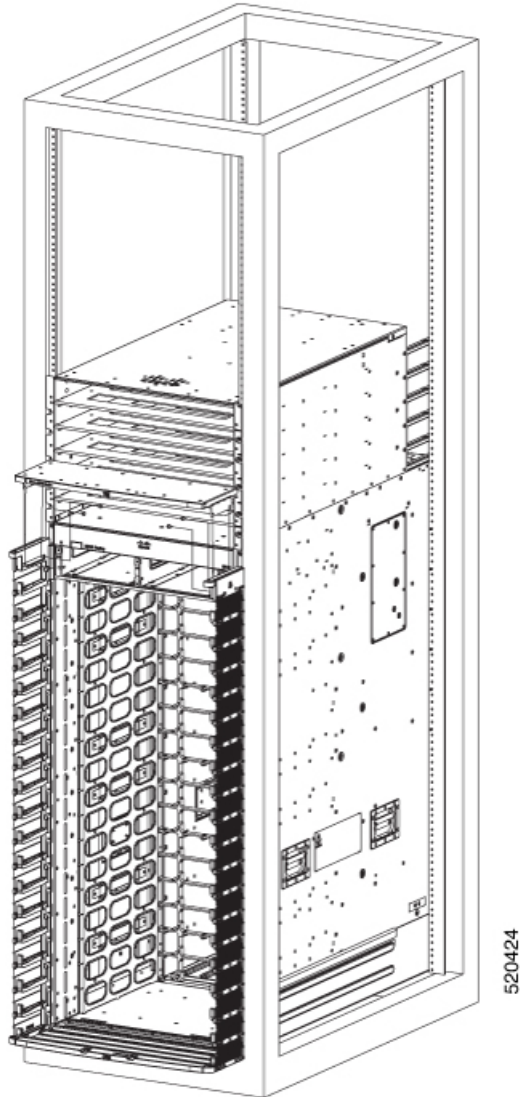
Figure 40: Connect Alarm Cable



Note Door open alarm is supported in the chassis.

Step 9 Position the top hood, with its brackets pointing down, above the cable management bracket screw holes.

Figure 41: Top Hood for 8818 Chassis



520424

Figure 42: Top Hood for 8812 Chassis

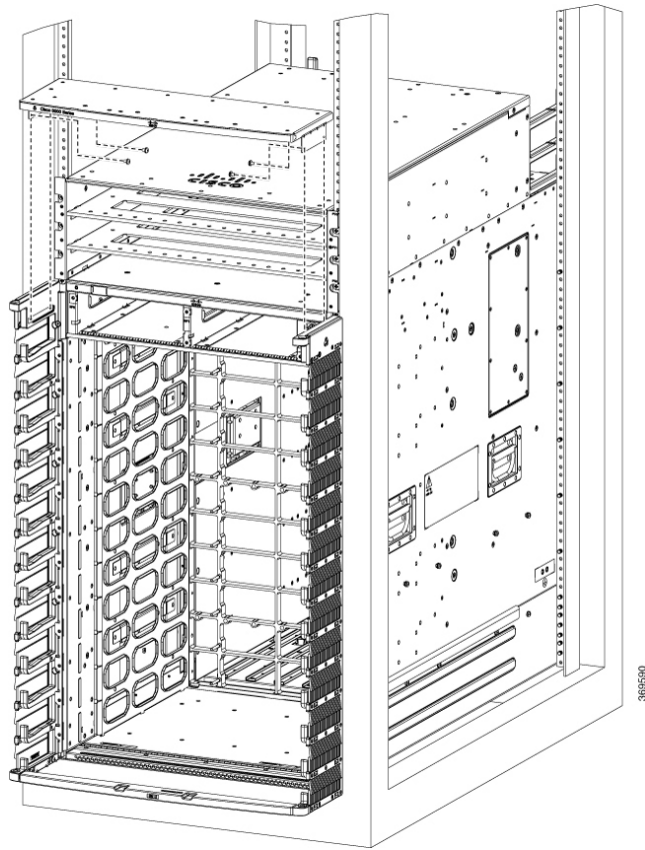
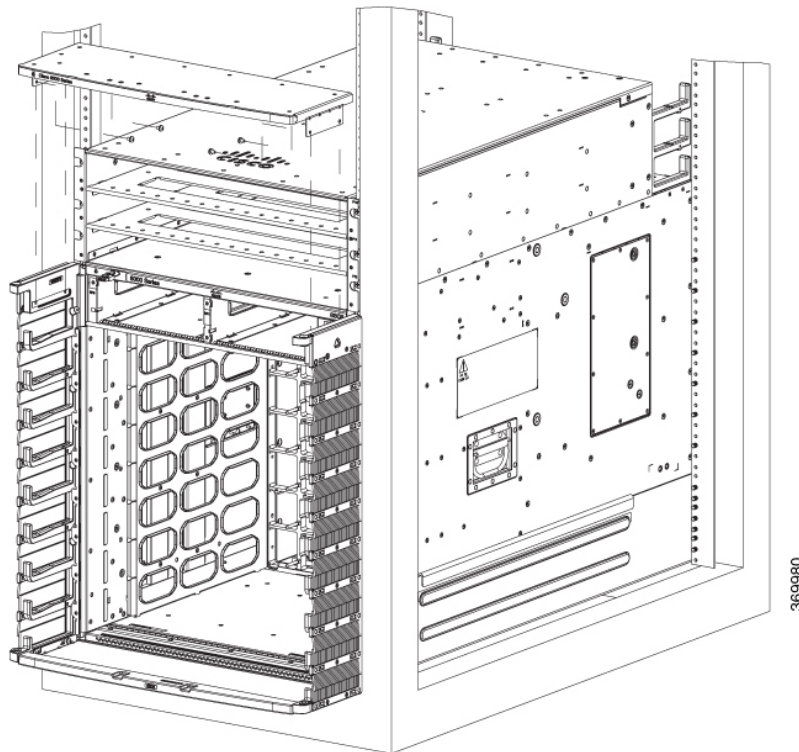
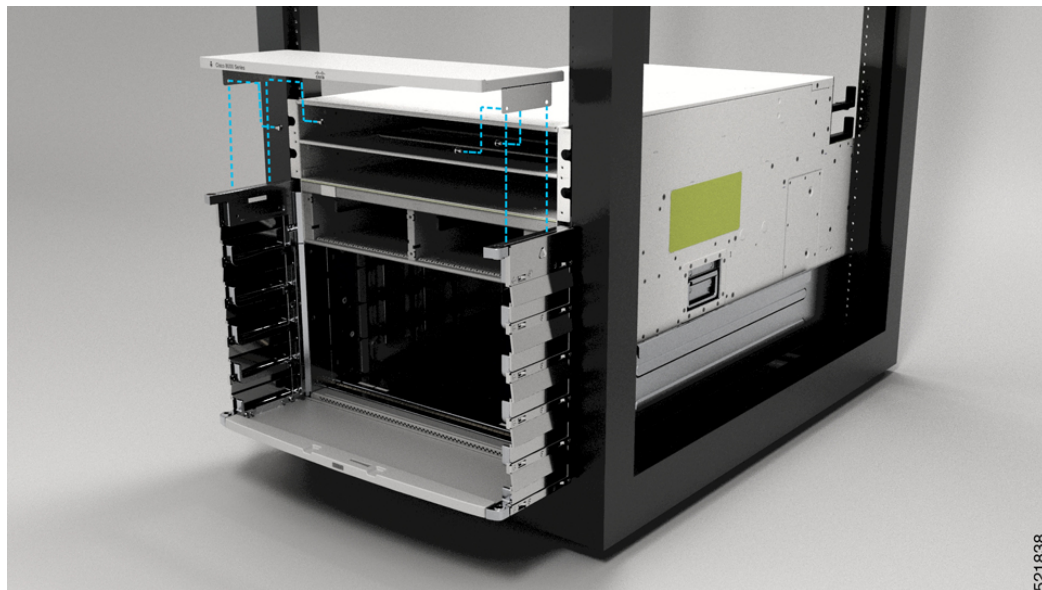


Figure 43: Top Hood for 8808 Chassis*Figure 44: Top Hood for 8804 Chassis*

- Step 10** Secure the top hood with the cable management brackets by using four M4 x 6 mm pan-head Phillips screws. Tighten each screw to 11.5 to 15 in-lb (1.3 to 1.7 N·m) of torque.

- Step 11** Tighten the cable management brackets screws to 11.5 to 15 in-lb (1.3 to 1.7Nm) of torque after completing the bottom cover, and top hood installation.
-

Attach Front Door to Chassis

Before you begin

Before you can attach the front door to the chassis, you must attach the cable management brackets, bottom plate, and top hood onto the chassis.

Required tools and equipment:

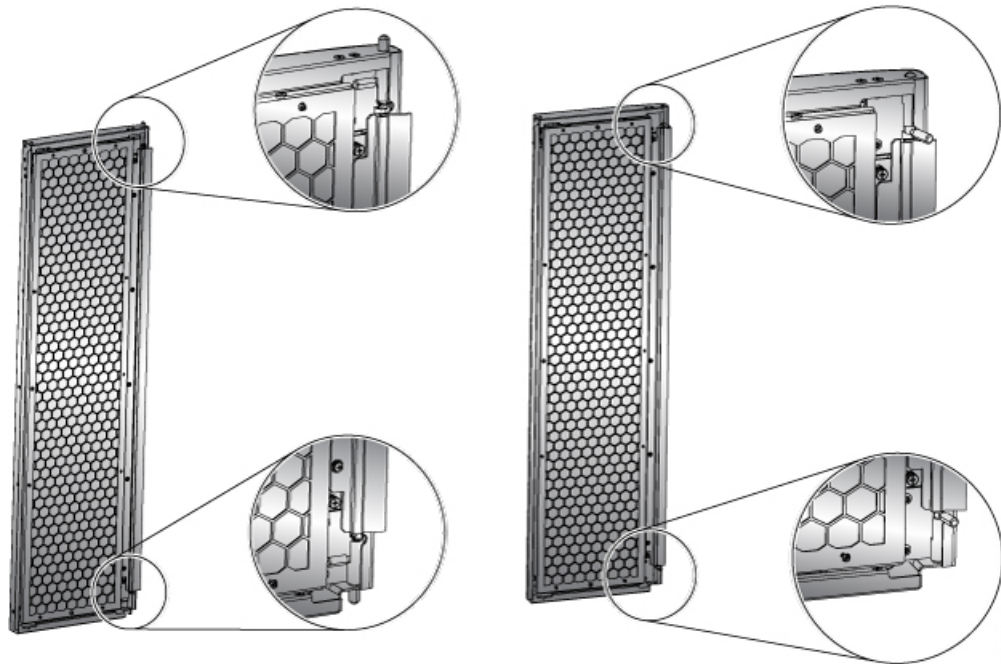
- Phillips screwdriver with a torque capability (customer supplied)
- Door kit (8818-KIT, 8812-KIT, 8808-KIT, or 8804-KIT)



Note The door kit is optional.

Procedure

- Step 1** Remove the power shelf bezel from the chassis, if already installed.
This is to ease the installation of chassis doors.
- Step 2** On the back side (open side) of one door, pull in on two protruding spring pins so that the pins are held inside the door frame.

Figure 45: Front Door Pins

- Step 3** Align the spring pin to hole in the bottom plate and release the spring pin, so that they insert into the bottom hole.

Figure 46: Attach Front Door to 8818 Chassis

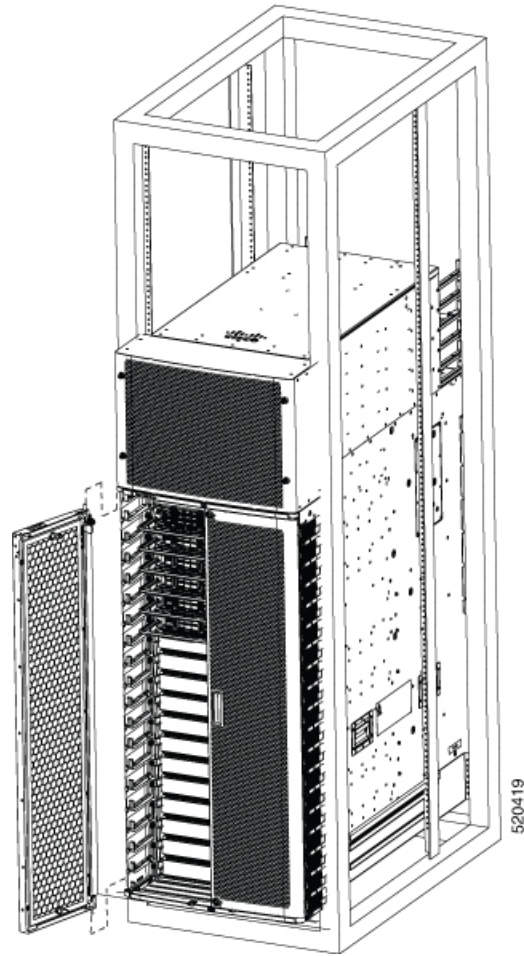


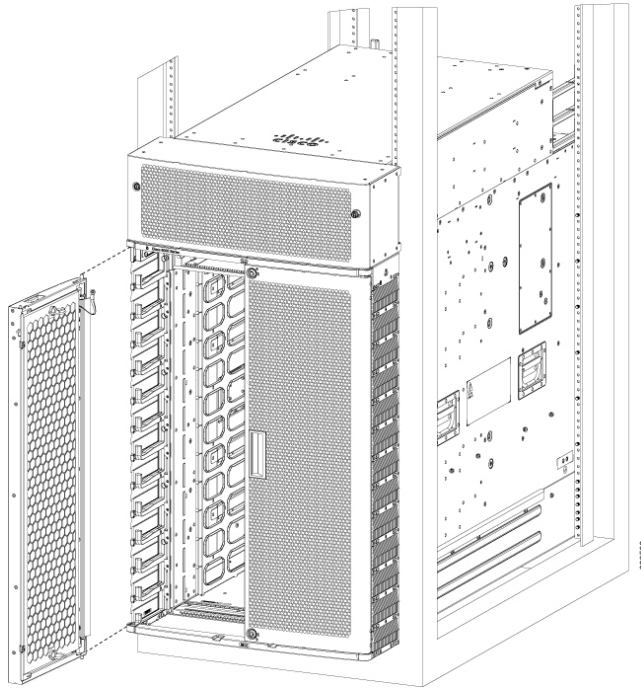
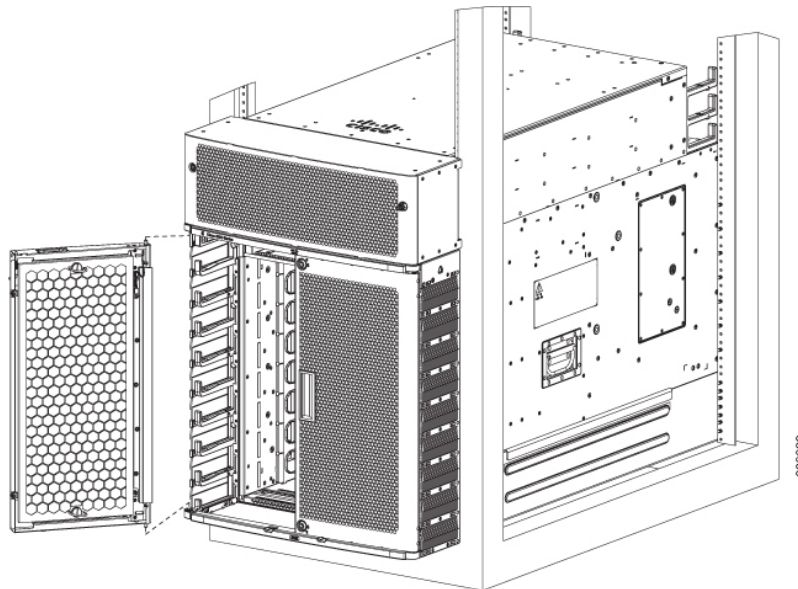
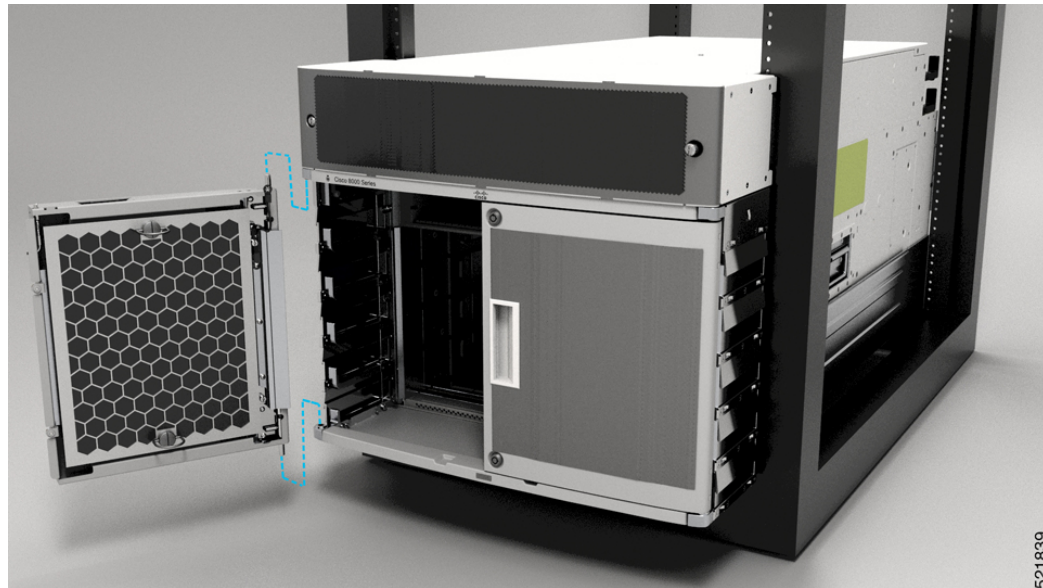
Figure 47: Attach Front Door to 8812 Chassis**Figure 48: Attach Front Door to 8808 Chassis**

Figure 49: Attach Front Door to 8804 Chassis



- Step 4** Now align the spring pin to hole in the top hood and release the spring pin.
- Step 5** Ensure the pins are properly inserted into the holes so that the door can freely swing on the spring pins.
- Step 6** Repeat Steps 2–5 to install the other front door.
- Step 7** Ground the front door.
For information on grounding the front door, see [Ground the Front Door, on page 63](#).
- Step 8** Replace the power supply bezel and secure it with the provided jackscrews.
For information on replacing the power supply bezel, see [Install Power Shelf Bezel, on page 142](#).
- Note** Install the following modules, if you had them removed from the chassis while mounting into the rack.
- Fan trays
- For more information on replacing components, see [Replace a Fan Tray](#).

Ground the Front Door

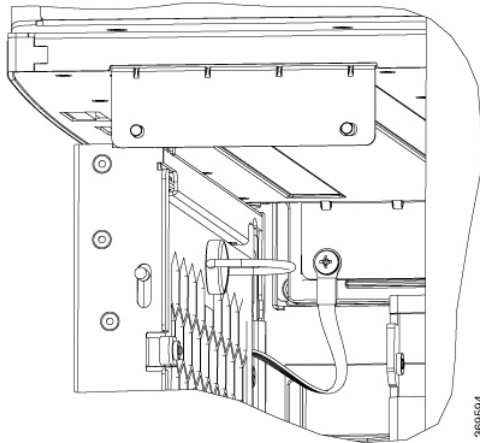


Note To comply with GR-1089, you have to bond the front doors to the ground port on the chassis using the ground braid.

Procedure

- Step 1** Install the grounding cable towards the side of the front door.
- Step 2** Apply the star ring terminal end of the grounding cable to the front door. Tighten the screw to 11.5 to 15 in-lb (1.3 to 1.7 N-m) of torque to provide proper bonding.

Figure 50: Ground Cable to Chassis



Note Fasten the ground straps on both the doors to the chassis.

- Step 3** Connect the other round terminal of the grounding cable to the ground port on the cable management bracket on either left or right side of the chassis. Use the front hole of the bracket that connects the top cover to the cable management bracket. Tighten the M4 screw to 11.5 to 15 in-lb (1.3 to 1.7 N-m) of torque.
- Step 4** Repeat Steps 1–3 to install the grounding cable to the other front door.
- Step 5** Close and lock the front door.
-

What to do next

Continue to power on the router.



CHAPTER 4

Powering on the Router

This chapter describes how to connect the power modules in the chassis and to power on the router.

- [Power Module Overview](#), on page 65
- [Connect DC Power Supply to Power Source](#), on page 68
- [Connect HVAC/HVDC Power Supply to Power Source](#), on page 71
- [Power Supply Power Cord Specifications](#), on page 74

Power Module Overview

Table 16: Feature History Table

Feature Name	Release	Description
60A support on the PSU4.8KW-DC100 (DC100) power supply	Release 7.3.2	This feature allows you to operate the 4.8 KW power supply for 48V 100A DC with 48V 60A. By default, the power module accepts 100A. To change the power mode to 60A, a toggle switch is provided in the power tray.

You can install an AC or a DC power module in the chassis. Ensure all power connection wiring conforms to the rules and regulations in the National Electrical Code (NEC) as well as local codes.

Each chassis has a power assembly shelf that supports the following number of power trays:

- Cisco 8818 chassis supports up six power trays
- Cisco 8812 and 8808 chassis supports up to three power trays
- Cisco 8804 router contains two power trays

Each power tray supports up to three AC power modules or four DC power modules.



Note Use only one kind of power tray and power module in the chassis.



Note Use only the same capacity power module in the chassis. Do not mix different capacity power modules.

High-Voltage AC / DC Power Supplies

HVAC/HVDC power modules operate in the input range of 180 VAC to 305 VAC (nominal input level of 200 to 240 VAC, 277 VAC) and 192 to 400 VDC (nominal 240 VDC, 380 VDC).

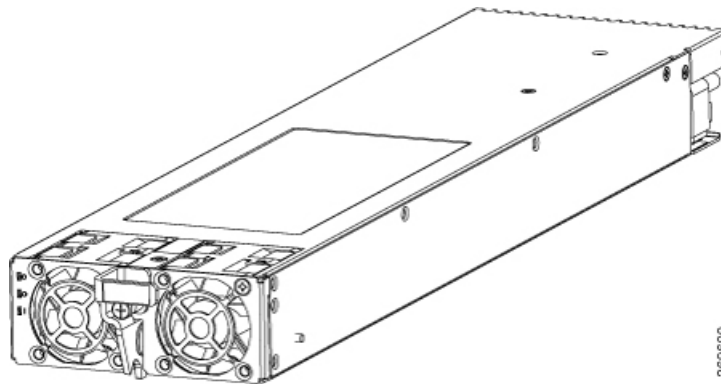
- PSU6.3KW-20A-HV: Each 6.3 KW, 20A power module can supply up to 6.3 KW to the power tray when it's supplied by two feeds (A and B). It can supply up to 3.15 KW with only one feed.
- PSU6.3KW-HV: Each 6.3 KW, 30A power module can supply up to 6.3 KW to the power tray when it's supplied by two feeds (A and B). It can supply up to 4.8 KW with only one feed.

DC Power Supplies

There are two types of DC power modules supported on Cisco 8800 router series:

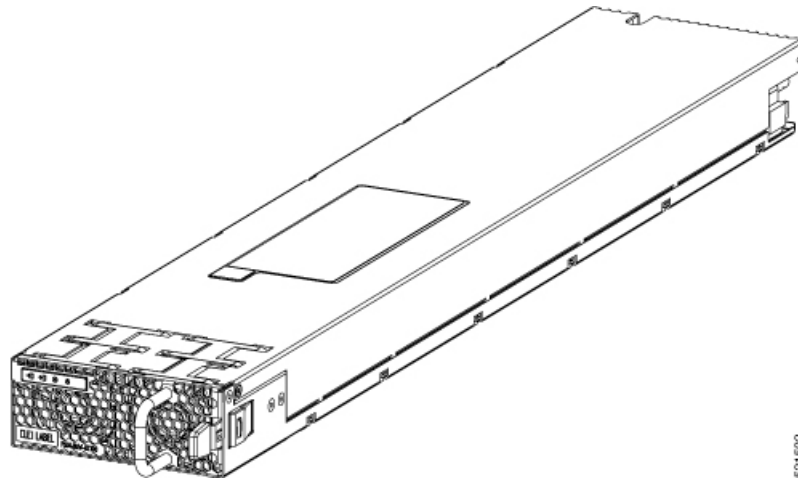
- PWR-4.4KW-DC-V3: The 4.4KW power supply that accepts a nominal input voltage of 48V 60A DC, with an operational tolerance range of -40 to -72 VDC.

Figure 51: PWR-4.4KW-DC-V3



- PSU4.8KW-DC100: The 4.8KW power supply that accepts a nominal input voltage of 48V 100A DC, with an operational tolerance range of -40 to -75 VDC.

Figure 52: PSU4.8KW-DC100

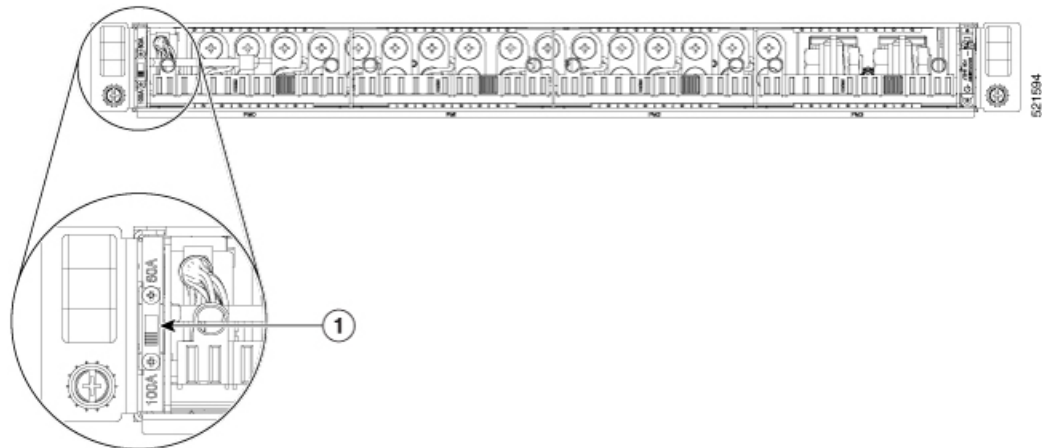


The PSU4.8KW-DC100 power module can also be configured to accept voltage of 48V 60A. By default, the power module accepts 100A. To change the power mode to 60A, a power mode switch is provided in the power tray. The power mode switch is located in the left-hand side on the power tray.



Note The power mode switch must be in the same position for all power trays installed in the chassis, either 60A or 100A mode.

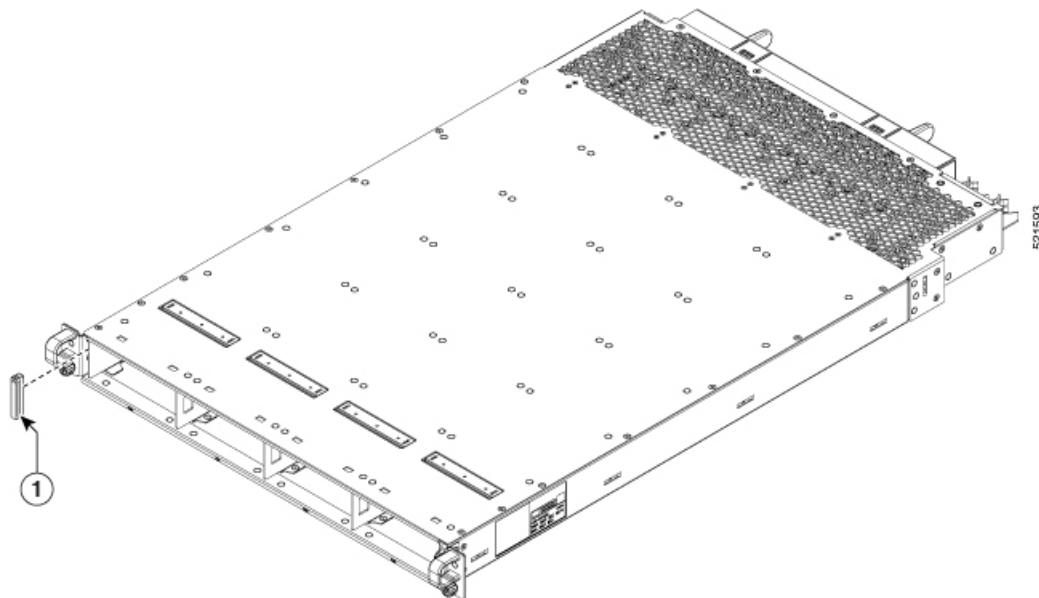
Figure 53: Power Mode Switch on the Power Tray



1	Power mode switch.
---	--------------------

A plug cover is also provided to block the access to the power mode switch as shown in the below figure:

Figure 54: Power Mode Switch Cover



1	Power mode switch cover.
---	--------------------------

Connect DC Power Supply to Power Source

This section contains the procedures to connect the DC source power cables to a DC-powered router.

For DC power cables, we recommend that you use 60A-rated, high-strand-count copper wire cables (#6 AWG or #4 AWG), or 100A-rated high-strand-count copper wire cables (#2 AWG). The length of the cables depends on your router location from the source power. DC power cables are not available from Cisco, but they are available from any commercial cable vendor.

You must terminate DC power cables using cable lugs at the power tray end. Ensure that the lugs are right-angle dual-hole and that they fit over to allow quarter inch screws at 0.625-inch (15.88-mm) centers. For #4 AWG cable, use Panduit part number LCD4-14AF-L or equivalent; for #6 AWG, use Panduit part number LCD6-14AF-L or equivalent; for #2 AWG cables, use Panduit part number LCD2-14AF-Q or equivalent.

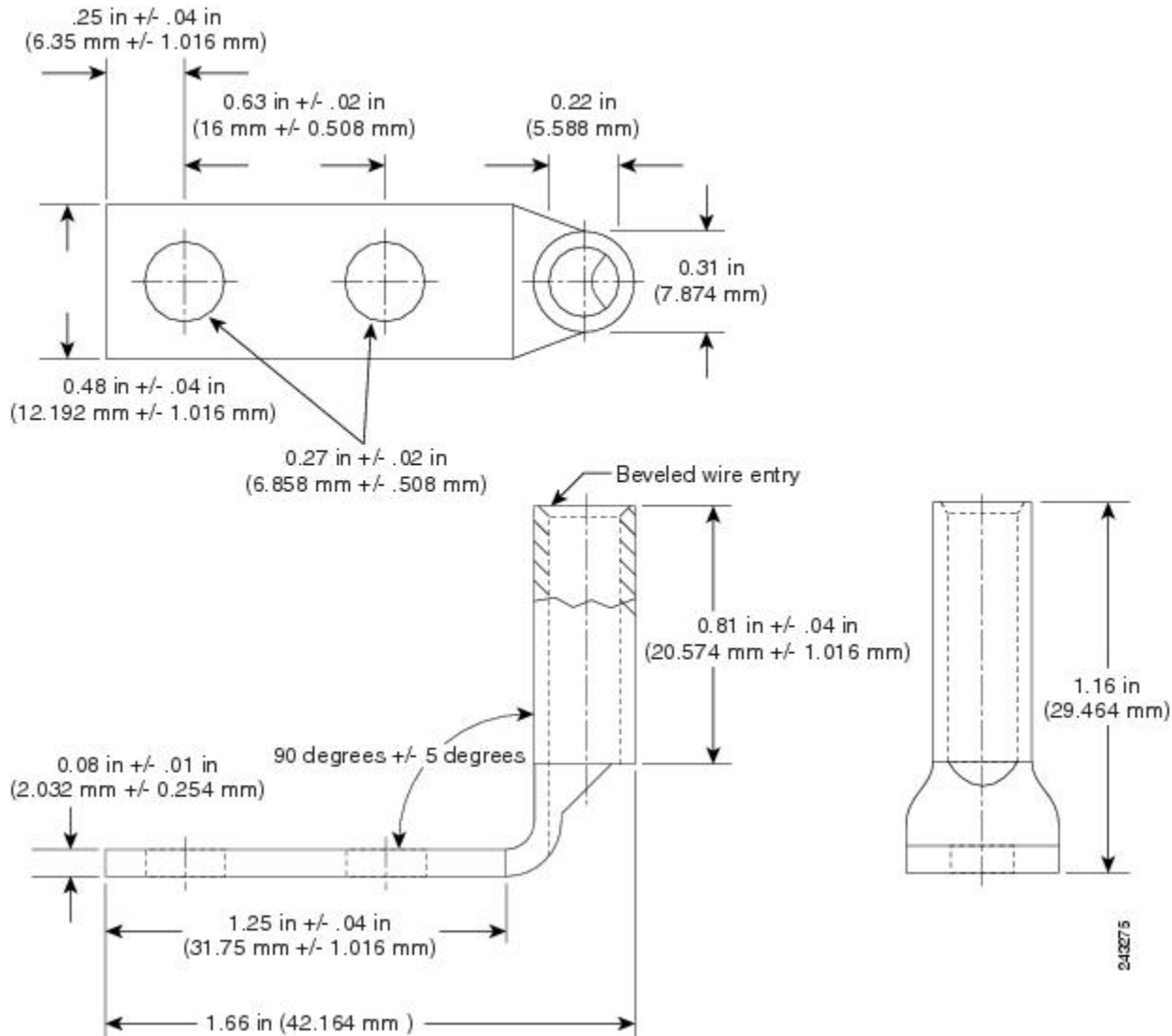
If you are not using power redundancy or are using n+1 power redundancy, you can connect all the power supplies in the chassis to the same power grid on the rear end of each power tray. If you are using n+n power redundancy, connect one redundant grid to one of the power supply inputs and the other redundant grid to the other power supply input on the back of the power tray as shown for each power supply.

The color coding of source DC power cable leads depends on the color coding of the site DC power source. Ensure that power source cables are connected to the power module with the proper positive (+) and negative (-) polarity:

- After powering on the router, you should see an LED (for each input) light up green on each power shelf. If LEDs light up red that indicates that the polarity is incorrect.

This figure shows the lug type required for DC input cable connections.

Figure 55: Typical DC Power Cable Lug

**Caution**

DC power modules contain circuitry to create a fault condition on the power module if the power module detects a reverse polarity condition. No damage should occur from reverse polarity, but ensure to correct a reverse-polarity condition immediately.

**Note**

The length of the cables depends on the location of your router in relation to the source of DC power. These cables and the cable lugs that are used to attach the cables to the router chassis are not available from Cisco Systems. They are available from any commercial cable vendor.



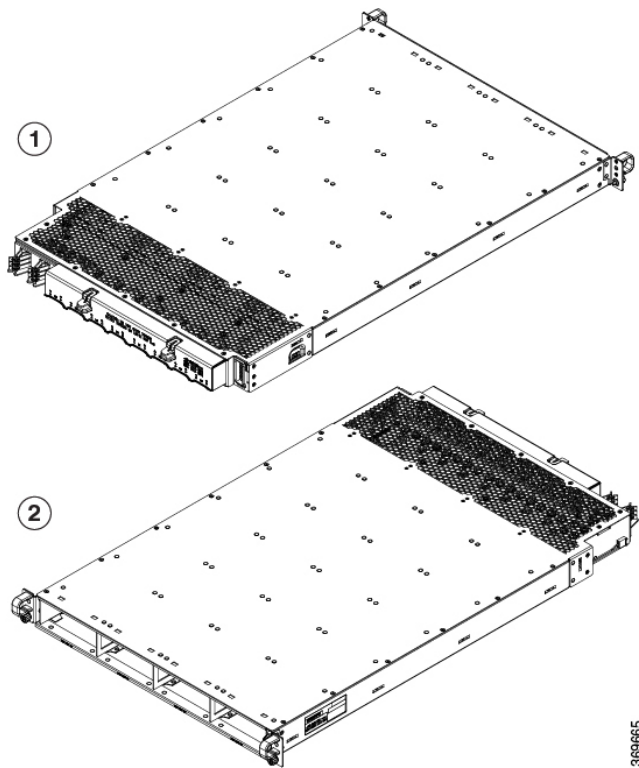
Caution To ensure that power remains off while you are performing this procedure, lock-out/tag-out the DC circuit breaker switch in the off (0) position until you are ready to turn it on.

Follow these steps to connect the DC source power cables to a DC power tray:

Procedure

Step 1 Verify that the power tray switch is set to the STANDBY (0) position.

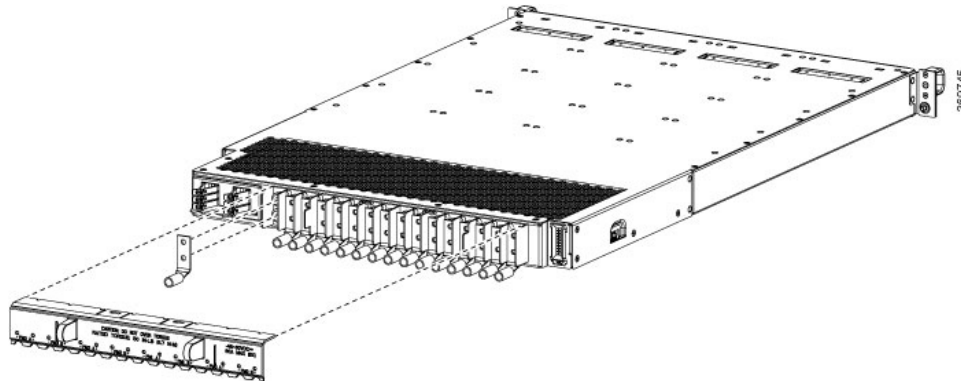
Figure 56: DC Power Tray



1	Rear	2	Front
---	------	---	-------

Step 2 Remove the clear plastic safety covers that fit over the DC power connection terminal studs.

Figure 57: DC Power Connection



Step 3 Connect the DC power cables in the following order.

- a) Positive cables first.
- b) Negative cables last.

Step 4 Repeat Step 3 for the other power modules installed in the tray.

Caution To prevent injury and damage to the equipment, always attach the ground and source DC power cable lugs to power tray terminals in the following order: (1) positive (+) to positive (+), (2) negative (-) to negative (-).

Caution Do not overtighten the nuts that secure the DC power cables to the power tray terminals. Using the 7/16 hex socket and torque wrench the nuts should be tightened to a torque of 45–50 in-lb.

Step 5 Replace the clear plastic safety covers over the connection terminal studs.

Step 6 Turn on the switch of the power shelf to turn on the system.

Connect HVAC/HVDC Power Supply to Power Source

The HVAC/HVDC power supply has 2 redundant input power lines. It can provide a power output of 6.3 kW from each input power line with 2 inputs operating, or provide 4.8 kW (30A) or 3.15 kW (20A) output from either input with one input operating. The HVAC/HVDC power supply provides $n+n$ or $n+x$ line redundancy mode in a single power supply for the Cisco 8800 Series Routers.

The HVAC/HVDC power supply accepts a maximum of 305VAC or 400VDC input power.

If you are not using power redundancy or are using $n+1$ power redundancy, you can connect all the power supplies in the chassis to the same power grid on the rear end of each power tray. If you are using $n+n$ power redundancy, connect one redundant grid to one of the power supply inputs and the other redundant grid to the other power supply input on the back of the power tray as shown for each power supply.

Before you begin

- Turn off the power source at its circuit breaker.
- Check that the power switch is set to the STANDBY (0) position on the power tray.
- PSU6.3KW-HV: The HVAC or HVDC power sources are rated for 30A maximum input current.

- PSU6.3KW-20A-HV: The HVAC or HVDC power sources are rated for 20A maximum input current.

Procedure

- Step 1** Choose your power supply (HVAC or HVDC) and use a Saf-D-Grid power cable to connect to the power supply tray.
- Step 2** For HVAC input, connect a Saf-D-Grid AC power cable to the Saf-D-Grid receptacle.

Figure 58: HV Power Tray

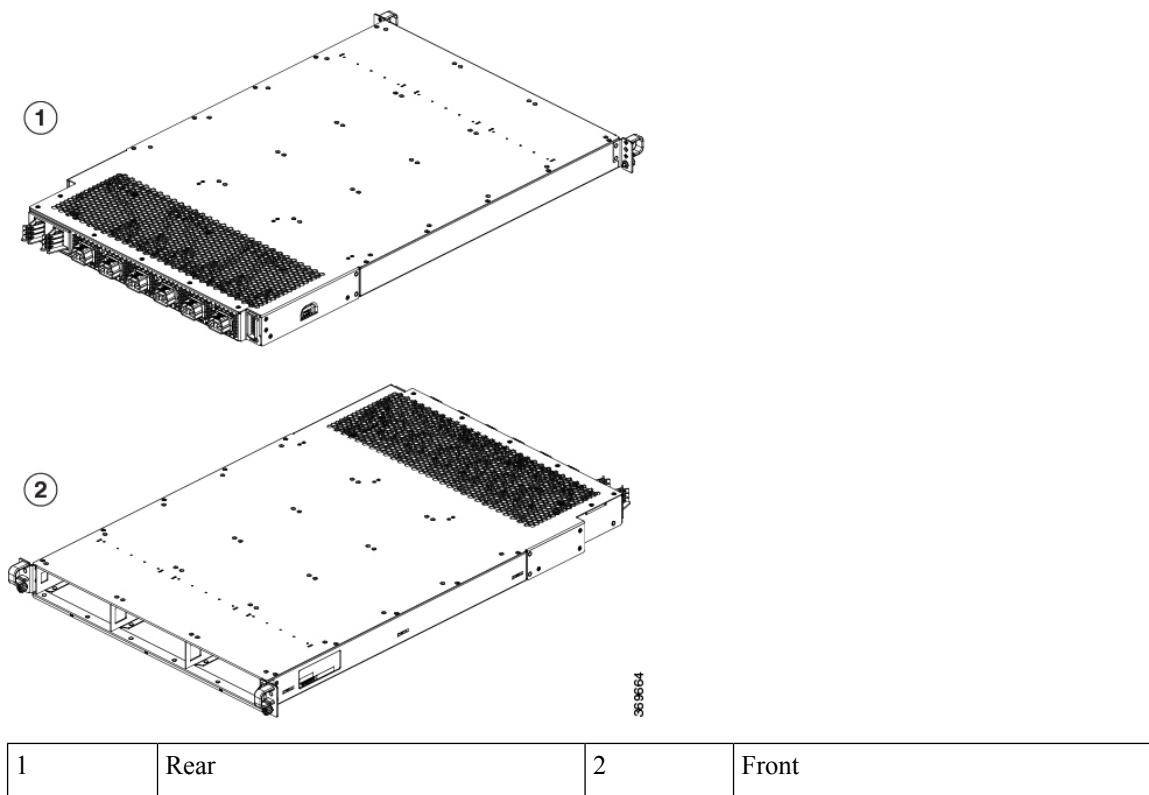
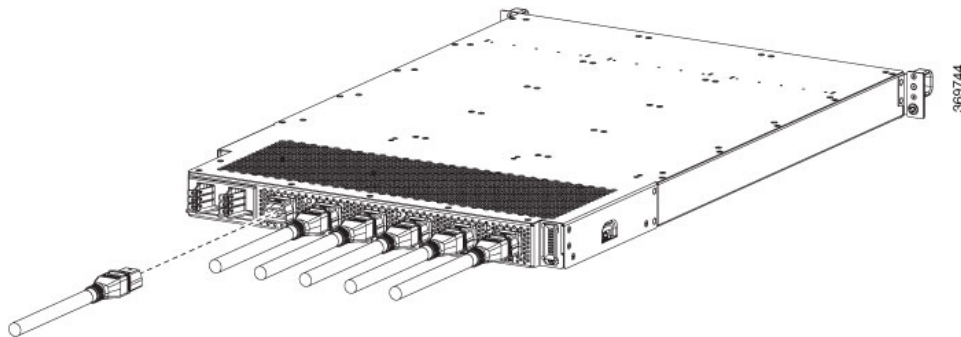


Figure 59: HVAC Power Connection



- Step 3** For HVDC input, connect a Saf-D-Grid DC cable to a Saf-D-Grid receptacle, otherwise:

- a) Connect the ground terminal ring on the power cable to the ground terminal on the DC power source and secure it in place with a nut tightened to the appropriate torque setting for the terminal post.
- b) Connect the negative terminal ring on the power cable to the negative (-) terminal on the DC power source and secure it in place with a nut tightened to the appropriate torque setting for the terminal post.
- c) Connect the positive terminal ring on the power cable to the positive (+) terminal on the DC power source and secure it in place with a nut tightened to the appropriate torque setting for the terminal post.

Step 4 Verify that the Saf-D-Grid plug is plugged in completely to secure the built-in retaining latch.

Step 5 Turn on the circuit breaker for the HVAC or HVDC power source circuit.

Note If you use both inputs, the IN LED of the power supply is green. If you use only one input, the IN LED is blinking green.

Step 6 Turn on the switch of the power shelf to turn on the system.

What to do next

Use the **power-mgmt redundancy-num-pms** *number* command in config mode to convert the power module redundancy from $n+1$ to $n+x$, specifying the number of redundant power modules that you want to configure. The total number of functioning power modules in the system is at least x number more than the number of power modules that are needed to support the power required for all the cards in the system. The range is 0–11; 0 means that no power redundancy is required.

```
RP/0/RP0/CPU0:ios# config
RP/0/RP0/CPU0:ios(config)# power-mgmt redundancy-num-pms 2
RP/0/RP0/CPU0:ios(config)# commit
Tue Sep 24 09:03:22.889 UTC
Commit complete.
```

Use the **hw-module attention-led location0/PM** *number* command in config mode to enable and use the **no** form of the command to disable the ID LED on the specified power supply.

```
RP/0/RP0/CPU0:ios# config
RP/0/RP0/CPU0:ios(config)# hw-module attention-led location 0/PT0-PM0
RP/0/RP0/CPU0:ios(config)# commit
RP/0/RP0/CPU0:ios(config)# end
RP/0/RP0/CPU0:ios# show led location 0/PT0-PM0
```

```
=====
Location      Led Name      Mode          Color
=====
0/PT0-PM0
      Attention  OPERATIONAL   BLINKING BLUE
      Fault      OPERATIONAL   OFF
      Input      OPERATIONAL   GREEN
      Output     OPERATIONAL   GREEN
```

Power Supply Power Cord Specifications



Note Always use the Saf-D-Grid connector toward the router.

Table 17: Standard AC and HDVC Power Cords

Locale	Part Number	Cisco Part Number (CPN)	Power Cord Set Rating	Connector Part Number	Power Cord Illustration
IEC/EU, US, CANADA, MEXICO, BRAZIL, NETHERLANDS, IRELAND, FRANCE, UK, GERMANY, SWITZERLAND, NORWAY, SPAIN, ITALY, SINGAPORE, CHINA, SOUTH AFRICA	CAB-AC-20A-NA	37-2126-01	20A, 250VAC	Saf-D-Grid 3-5958P2 to IEC 60320 C20	Refer the figure in Power Cord Illustrations, on page 75
IEC/EU, AUSTRALIA/NEW ZEALAND, SWITZERLAND, ITALY, SOUTH AFRICA, ISRAEL, BRAZIL, ARGENTINA, INDIA	CAB-AC-32A-ANZ, CAB-AC-32A-CHE, CAB-AC-32A-ITA, CAB-AC-32A-BRZ, CAB-AC-32A-ZAF, CAB-AC-32A-ISR, CAB-AC-32A-IND, CAB-AC-32A-ARG	37-101007-01	32A, 250VAC	Saf-D-Grid 3-5958P4 to Hubbell C332P6S Plug	Refer the figure in Power Cord Illustrations, on page 75
NORTH AMERICA	CAB-AC-30A-US1, CAB-AC-30A-US2	37-101008-01, 37-101009-01	30A, 250VAC	Saf-D-Grid 3-5958P4 to VOLEX 174606	Refer the figure in Power Cord Illustrations, on page 75
NORTH AMERICA	CAB-DC-30A-US1, CAB-DC-30A-US2	37-101014-01	30A, 400VDC	Saf-D-Grid 3-5958P4 to Saf-D-Grid 3-5958P4	Refer the figure in Power Cord Illustrations, on page 75

Locale	Part Number	Cisco Part Number (CPN)	Power Cord Set Rating	Connector Part Number	Power Cord Illustration
NORTH AMERICA	CAB-AC-30A-US3	37-101013-01	30A, 277VAC	Saf-D-Grid 3-5958P4 to HBL2631	Refer the figure in Power Cord Illustrations, on page 75
NORTH AMERICA	CAB-AC-30A-US4	37-101018-01	30A, 300VAC	Saf-D-Grid 3-5958P4 to Saf-D-Grid 3-6074P30	Refer the figure in Power Cord Illustrations, on page 75
IEC/EU	CAB-AC-32A-EU	37-101019-01	32A, 300VAC	Saf-D-Grid 3-5958P4 to Saf-D-Grid 3-6074P30	Refer the figure in Power Cord Illustrations, on page 75
IEC/EU	CAB-DC-32A-EU1, CAB-DC-32A-EU2	37-101015-01	32A, 400VDC	Saf-D-Grid 3-5958P4 to Saf-D-Grid 3-5958P4	Refer the figure in Power Cord Illustrations, on page 75
CHINA	CAB-AC-32A-CHN	37-101010-01	32A, 250VAC	-	Refer the figure in Power Cord Illustrations, on page 75
KOREA	CAB-AC-32A-KOR	37-101012-01	32A, 250VAC	-	Refer the figure in Power Cord Illustrations, on page 75

Power Cord Illustrations

Figure 60: CAB-AC-20A-NA Power Cord and Plugs for Standard AC Power Supply

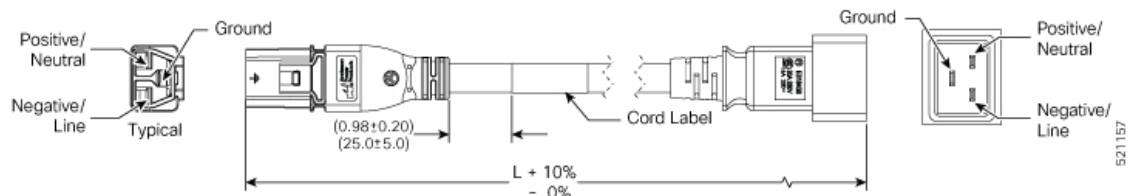


Figure 61: CAB-AC-32A-ANZ, CAB-AC-32A-CHE, CAB-AC-32A-ITA, CAB-AC-32A-BRZ, CAB-AC-32A-ZAF, CAB-AC-32A-ISR, CAB-AC-32A-IND, CAB-AC-32A-ARG Power Cord and Plugs for Standard AC Power Supply

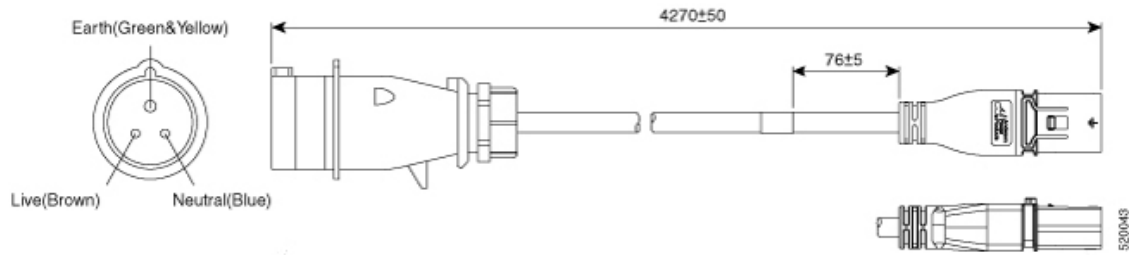


Figure 62: CAB-AC-30A-US1, CAB-AC-30A-US2 Power Cord and Plugs for Standard AC Power Supply

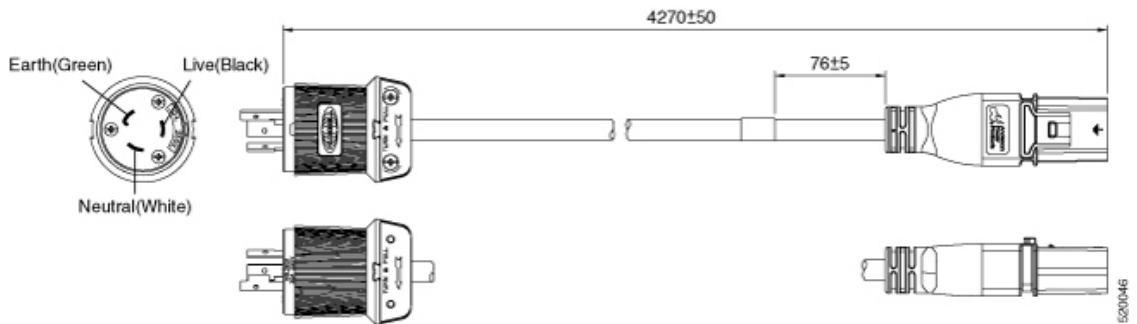


Figure 63: CAB-DC-30A-US1, CAB-DC-30A-US2 Power Cord and Plugs for HVDC Power Supply

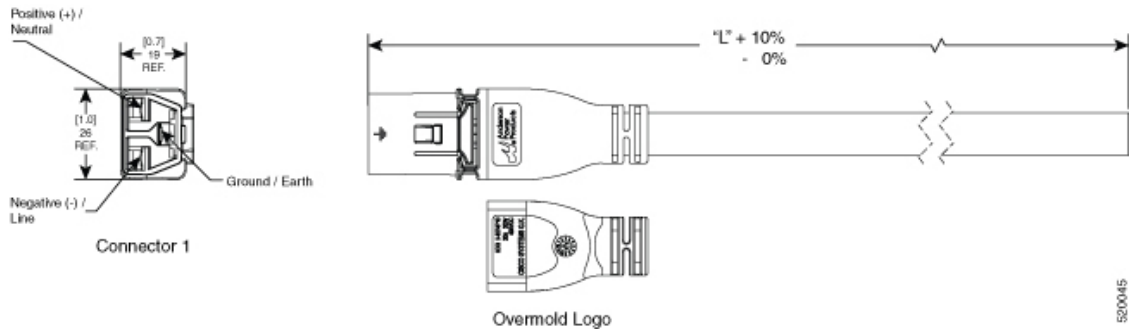


Figure 64: CAB-AC-30A-US3 Power Cord and Plugs for Standard AC Power Supply

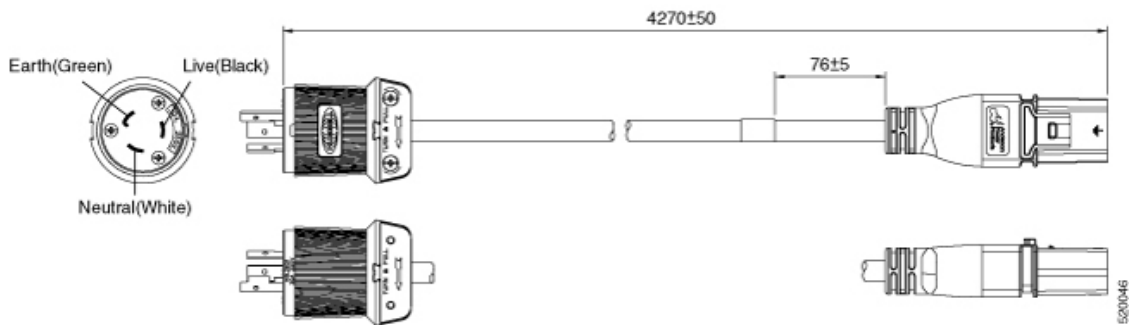
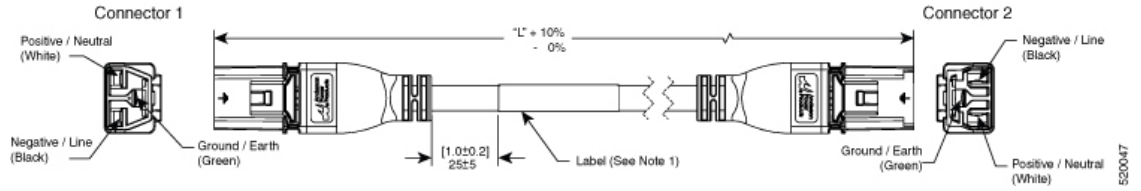
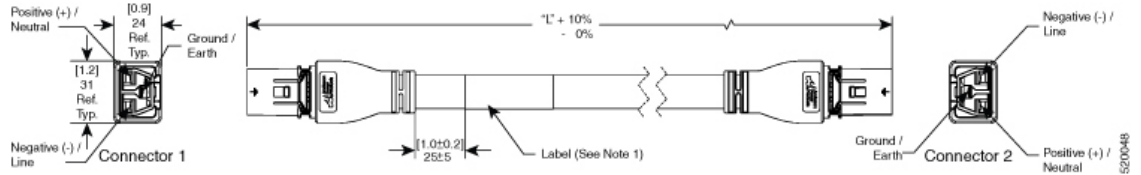


Figure 65: CAB-AC-30A-US4 Power Cord and Plugs for Standard AC Power Supply



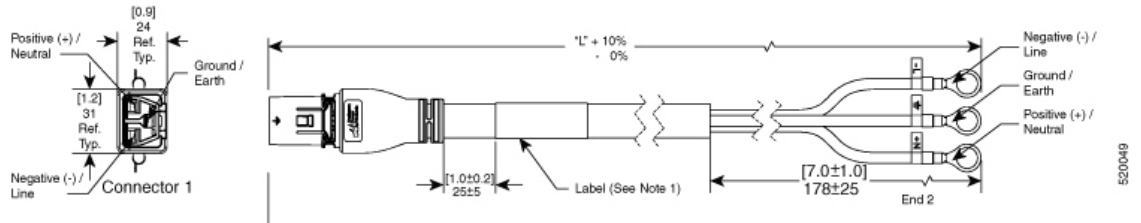
520047

Figure 66: CAB-AC-32A-EU Power Cord and Plugs for Standard AC Power Supply



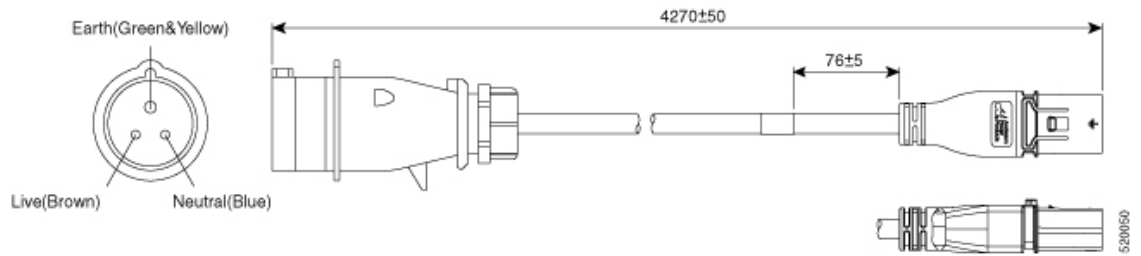
520048

Figure 67: CAB-DC-32A-EU1, CAB-DC-32A-EU2 Power Cord and Plugs for HVDC Power Supply



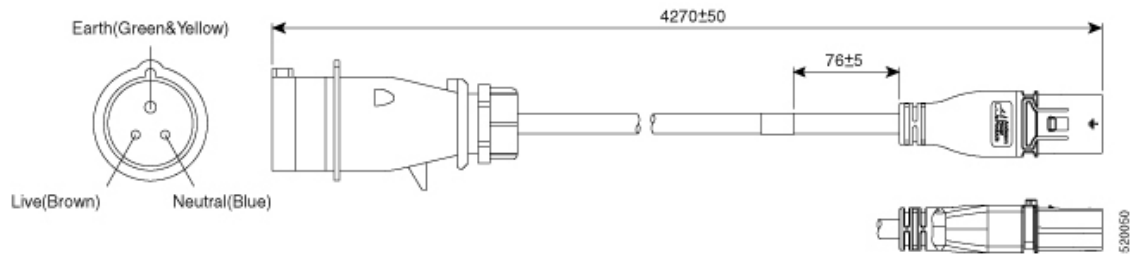
520049

Figure 68: CAB-AC-32A-CHN Power Cord and Plugs for Standard AC Power Supply



520050

Figure 69: CAB-AC-32A-KOR Power Cord and Plugs for Standard AC Power Supply



520050



CHAPTER 5

Connect Router to the Network



Note The images in this chapter are only for representation purposes, unless specified otherwise. The chassis' actual appearance and size may vary.

- [Connecting a Console to the Router, on page 79](#)
- [Connect the Management Interface, on page 80](#)
- [Transceivers, Connectors, and Cables, on page 81](#)
- [Install and Remove QSFP Transceiver Modules, on page 82](#)
- [Connect Interface Ports, on page 88](#)
- [Maintain Transceivers and Optical Cables, on page 89](#)
- [Create the Initial Router Configuration, on page 89](#)
- [Set Fabric Bandwidth Threshold, on page 98](#)

Connecting a Console to the Router

Before you create a network management connection for the router or connect the router to the network, you must create a local management connection through a console terminal and configure an IP address for the router. The router can be accessed using remote management protocols, such as SSH and Telnet. By default, SSH is included in the software image. But telnet is not part of the software image. You must manually install the telnet optional package to use it.

You also can use the console to perform the following functions, each of which can be performed through the management interface after you make that connection:

- configure the router using the command-line interface (CLI)
- monitor network statistics and errors
- configure Simple Network Management Protocol (SNMP) agent parameters
- initiate software download updates via console

You make this local management connection between the asynchronous serial port on a Route Processor card and a console device capable of asynchronous transmission. Typically, you can use a computer terminal as the console device. On the Route Processor cards, you use the console serial port.



Note Before you can connect the console port to a computer terminal, make sure that the computer terminal supports VT100 terminal emulation. The terminal emulation software makes communication between the router and computer possible during setup and configuration.

Before you begin

- The router must be fully installed in its rack. The router must be connected to a power source and grounded.
- The necessary cabling for the console, management, and network connections must be available.
 - An RJ45 rollover cable and a DB9F/RJ45 adapter.
 - Network cabling should already be routed to the location of the installed router.

Procedure

Step 1 Configure the console device to match the following default port characteristics:

- 115200 baud
- 8 data bits
- 1 stop bit
- No parity

Step 2 Connect an RJ45 rollover cable to a terminal, PC terminal emulator, or terminal server.
The RJ45 rollover cable is not part of the accessory kit.

Step 3 Route the RJ45 rollover cable as appropriate and connect the cable to the console port on the chassis.
If the console or modem cannot use an RJ45 connection, use the DB9F/RJ45F PC terminal adapter. Alternatively, you can use an RJ45/DSUB F/F or RJ45/DSUB R/P adapter, but you must provide those adapters.

What to do next

You are ready to create the initial router configuration.

Connect the Management Interface

The Route Processor management port (MGMT ETH) provides out-of-band management, which lets you to use the command-line interface (CLI) to manage the router by its IP address. This port uses a 10/100/1000 Ethernet connection with an RJ-45 interface.



Note In a dual Route Processor router, you can ensure that the active Route Processor card is always connected to the network by connecting the management interface on both Route Processor cards to the network. That is, you can perform this task for each Route Processor card. When the Route Processor card is active, the router automatically has a management interface that is running and accessible from the network.



Caution To prevent an IP address conflict, do not connect the MGMT 100/1000 Ethernet port until the initial configuration is complete.

Before you begin

You must have completed the initial router configuration.

Procedure

-
- Step 1** Connect a modular, RJ-45, UTP cable to the MGMT ETH port on the Route Processor card.
- Step 2** Route the cable through the central slot in the cable management system.
- Step 3** Connect the other end of the cable to a 100/1000 Ethernet port on a network device.
-

What to do next

You are ready to connect the interface ports on each of the line cards to the network.

Transceivers, Connectors, and Cables

Transceiver and Cable Specifications

To determine which transceivers and cables are supported by this router, see [Cisco Transceiver Modules Compatibility Information](#).

To see the transceiver specifications and installation information, see [Cisco Transceiver Modules Install and Upgrade Guides](#).

RJ-45 Connectors

The RJ-45 connector connects Category 3, Category 5, Category 5e, Category 6, or Category 6A foil twisted-pair or unshielded twisted-pair cable from the external network to the following module interface connectors:

- Router chassis
 - CONSOLE port

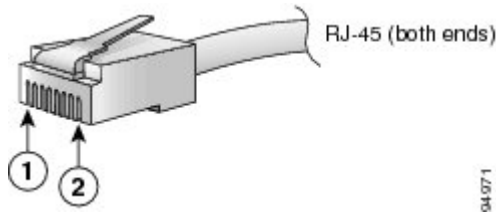
- MGMT ETH port



Caution To comply with GR-1089 intrabuilding, lightning immunity requirements, you must use a foil twisted-pair (FTP) cable that is properly grounded at both ends.

The following figure shows the RJ-45 connector.

Figure 70: RJ-45 Connector



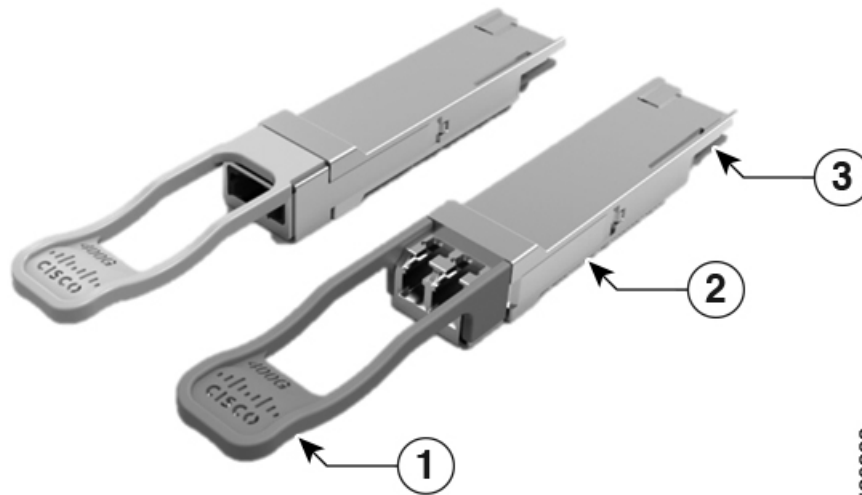
1	Pin 1	2	Pin 8
---	-------	---	-------

Install and Remove QSFP Transceiver Modules

This section provides the installation, cabling, and removal instructions for the Quad Small Form-Factor Pluggable transceiver modules. Refer to the [Cisco Optical Transceiver Handling Guide](#) for additional details on optical transceivers.

The following figure shows a 400-Gigabit QSFP-DD optical transceiver.

Figure 71: 400-Gigabit QSFP-DD Transceiver Module



1	Pull-tab	2	QSFP-DD transceiver body
---	----------	---	--------------------------

3	Electrical connection to the module circuitry		
---	---	--	--



Warning **Statement 1079—Hot Surface**

This icon is a hot surface warning. Use precaution when working near the hot surface.



Required Tools and Equipment

You need these tools to install the transceiver modules:

- Wrist strap or other personal grounding device to prevent ESD occurrences.
- Antistatic mat or antistatic foam to set the transceiver on.
- Fiber-optic end-face cleaning tools and inspection equipment.

Installing the Transceiver Module



Warning **Statement 1079—Hot Surface**

This icon is a hot surface warning. Use precaution when working near the hot surface.



Caution The transceiver module is a static-sensitive device. Always use an ESD wrist strap or similar individual grounding device when handling transceiver modules or coming into contact with system modules.



Caution Protect the transceiver ports by inserting clean dust caps (8000-QSFP-DCAP) into any ports not in use and do not have optical modules plugged in. If optical modules are plugged in but not in use, the dust caps that were supplied with the optical modules, should be used to protect the TX and RX surfaces of the optical module.

Be sure to clean the optic surfaces of the fiber cables before you plug them back into the optical ports of another module.

The router ships with dust caps plugged in. We highly recommend you to keep the dust caps plugged in until you are ready to plug an optic.

The dust caps protect the ports from possible EMI interference and also avoid contamination due to dust collection. To meet the EMI interference requirements, you must use the metal dust caps when the ports are not in use by optical modules.

The following table provides the supported port details and operating temperature of the QDD-400G-ZR-S and QDD-400G-ZRP-S optical modules when port side exhaust or port side intake fans and power supplies are used.

Table 18: Supported Ports and Operating Temperature of QDD-400G-ZR-S and QDD-400G-ZRP-S Optical Modules

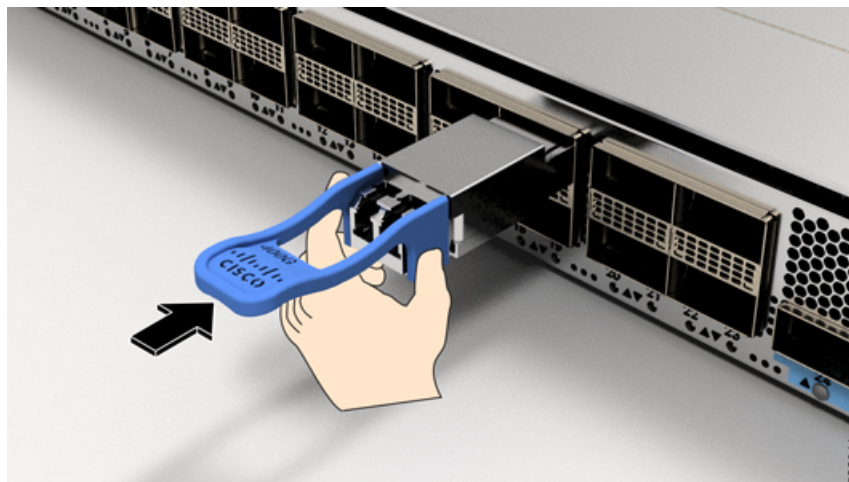
Line Cards	Port Side Intake Fans and Power Supplies	Port Side Exhaust Fans and Power Supplies	Port Side Intake Operating Temperature
8800-LC-36FH	<ul style="list-style-type: none"> • QDD-400G-ZR-S – supported on all 400G ports • QDD-400G-ZRP-S – supported on even-numbered 400G ports 	NA	40° C at sea level or 35° C at 1500 meter
88-LC0-36FH-M	<ul style="list-style-type: none"> • QDD-400G-ZR-S – supported on all 400G ports • QDD-400G-ZRP-S – supported on even-numbered 400G ports 	NA	40° C at sea level or 35° C at 1500 meter
88-LC0-36FH	<ul style="list-style-type: none"> • QDD-400G-ZR-S – supported on all 400G ports • QDD-400G-ZRP-S – supported on even-numbered 400G ports 	NA	40° C at sea level or 35° C at 1500 meter

The QSFP transceiver module has a pull-tab latch. To install a transceiver module, follow these steps:

Procedure

- Step 1** Attach an ESD wrist strap to yourself and a properly grounded point on the chassis or the rack.
- Step 2** Remove the transceiver module from its protective packaging.
- Step 3** Check the label on the transceiver module body to verify that you have the correct model for your network. Do not remove the dust plug until you're ready to attach the network interface cable. Dust plug is not shown in the images.
- Step 4** Hold the transceiver by the pull-tab so that the identifier label is on the top.
- Step 5** Align the transceiver module in front of the module's transceiver socket opening and carefully slide the transceiver into the socket until the transceiver contact with the socket electrical connector.

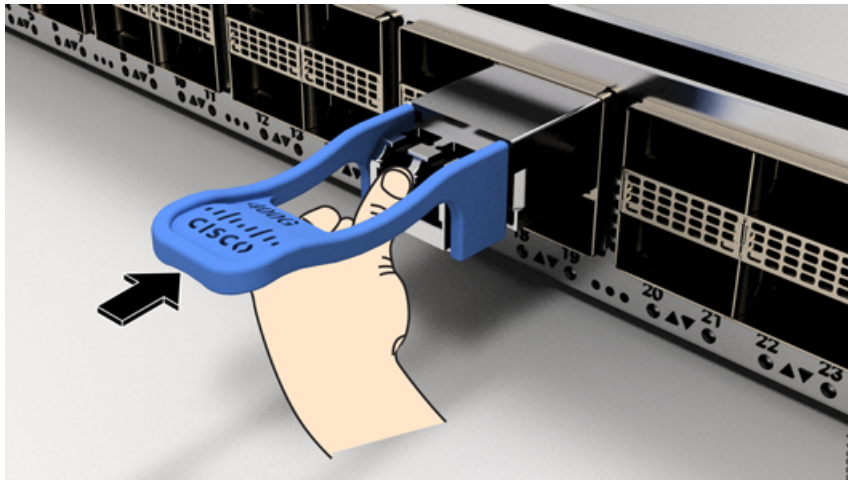
Figure 72: Installing the QSFP Transceiver Module



- Step 6** Press firmly on the front of the transceiver module with your thumb to fully seat the transceiver in the module's transceiver socket (see the below figure).

Caution If the latch isn't fully engaged, you might accidentally disconnect the transceiver module.

Figure 73: Seating the QSFP Transceiver Module



Attach the Optical Network Cable

Before you begin

Before you remove the dust plugs and make any optical connections, follow these guidelines:

- Keep the protective dust plugs installed in the unplugged fiber-optic cable connectors and in the transceiver optical bores until you are ready to make a connection.
- Inspect and clean the optical connector end faces just before you make any connections.
- Grasp the optical connector only by the housing to plug or unplug a fiber-optic cable.



Note The transceiver modules and fiber connectors are keyed to prevent incorrect insertion.



Note The multiple-fiber push-on (MPO) connectors on the optical transceivers support network interface cables with either physical contact (PC) or ultra-physical contact (UPC) flat polished face types. The MPO connectors on the optical transceivers do not support network interface cables with an angle-polished contact (APC) face type.

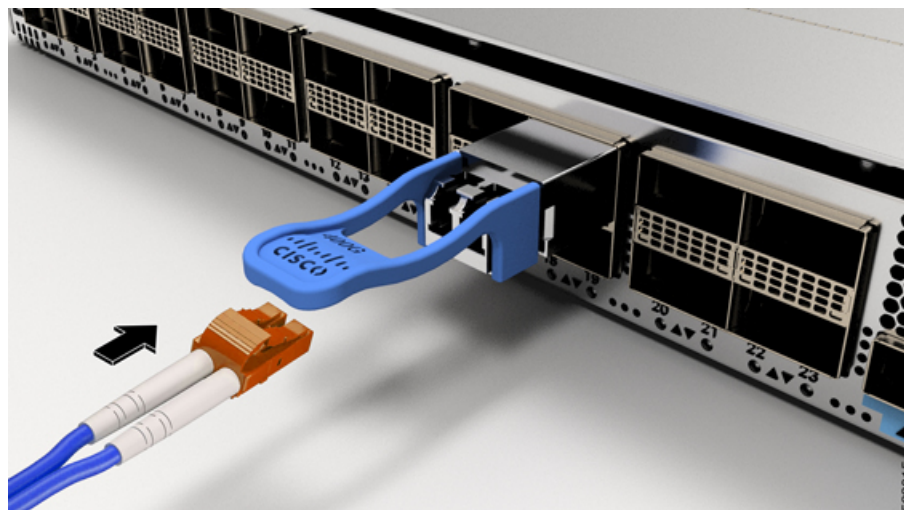


Note Inspect the MPO connector for the correct cable type, cleanliness, and any damage. For complete information on inspecting and cleaning fiber-optic connections, see the [Inspection and Cleaning Procedures for Fiber-Optic Connections](#) document.

Procedure

- Step 1** Remove the dust plugs from the optical network interface cable MPO connectors and from the transceiver module optical bores. Save the dust plugs for future use.
- Step 2** Attach the network interface cable MPO connectors immediately to the transceiver module.

Figure 74: Cabling a Transceiver Module



Removing the Transceiver Module



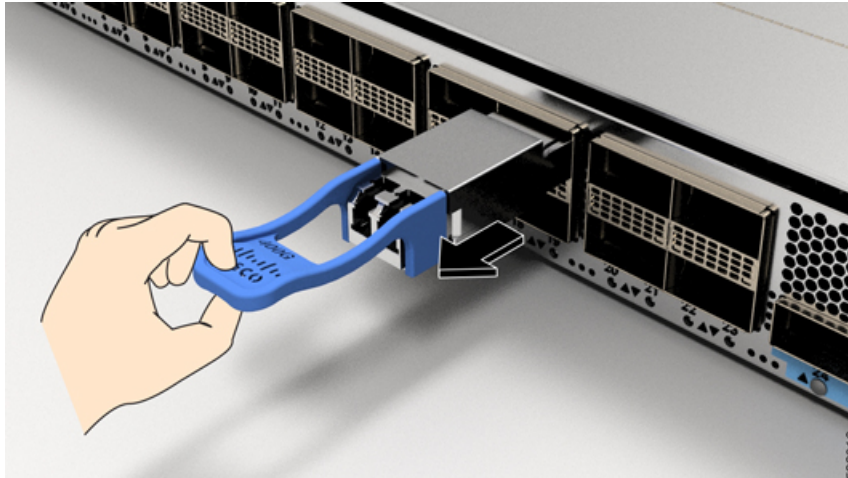
Caution The transceiver module is a static-sensitive device. Always use an ESD wrist strap or similar individual grounding device when handling transceiver modules or coming into contact with modules.

To remove a transceiver module, follow these steps:

Procedure

- Step 1** Disconnect the network interface cable from the transceiver connector.
- Step 2** Install the dust plug immediately into the transceiver's optical bore.
- Step 3** Grasp the pull-tab and gently pull to release the transceiver from the socket.

Figure 75: Removing the QSFP Transceiver Module



- Step 4** Slide the transceiver out of the socket.
- Step 5** Place the transceiver module into an antistatic bag.
-

Connect Interface Ports

You can connect optical interface ports on line cards with other devices for network connectivity.

Connect a Fiber-Optic Port to the Network

Depending on which line card model that you are using, you can use either QSFP+ or QSFP28 transceivers. Some transceivers work with fiber-optic cables that you attach to the transceivers and other transceivers work with pre-attached copper cables. You must install a transceiver in the port before installing the fiber-optic cable in the transceiver.



Caution Removing and installing a transceiver can shorten its useful life. Do not remove and insert transceivers any more than is absolutely necessary. We recommend that you disconnect cables before installing or removing transceivers to prevent damage to the cable or transceiver.

Disconnect Optical Ports from the Network

When you need to remove fiber-optic transceivers, you must first remove the fiber-optic cables from the transceiver before you remove the transceiver from the port.

Maintain Transceivers and Optical Cables

Refer to [Inspection and Cleaning Procedures for Fiber-Optic Connections](#) document for inspection and cleaning processes for fiber optic connections.

Create the Initial Router Configuration

Assign an IP address to the router management interface to connect the router to the network.

When you initially power up the router, it boots up and displays a series of configuration-related questions. You can use the default choices for each configuration except for the IP address, which you must provide.



Note These routers are designed to boot up in less than 30 mins, provided the neighboring devices are in full-operational state.

When the system is powered on and the console port is connected to the terminal, the RP CPU messages are seen. You can toggle between BMC CPU messages and RP CPU messages by pressing the hot-key sequence Ctrl-O.

To configure IP address for Ethernet port on BMC and other additional information that is related to BMC, please see the *System Setup Guide for Cisco 8000 Series Routers*.

Before you begin

- A console device must be connected with the router.
- The router must be connected to a power source.
- Determine the IP address and netmask that is needed for the Management interfaces: `MgmtEth0/RP0/CPU0/0` and `MgmtEth0/RP1/CPU0/0`:

Procedure

Step 1 Power up the router.

The LEDs on each power supply light up (green) when the power supply units are sending power to the router, and the software asks you to specify a password to use with the router.

Step 2 When the system boots up for the first time, the system prompts you to create a new username and password. The following prompt appears:

```
!!!!!!!!!!!!!!!!!!!!!! NO root-system username is configured. Need to configure root-system
username. !!!!!!!!!!!!!!!!!!!!!!!
```

```
--- Administrative User Dialog ---
```

```
Enter root-system username:
```

```

% Entry must not be null.

Enter root-system username: cisco
Enter secret:
Use the 'configure' command to modify this configuration.
User Access Verification

Username: cisco
Password:

RP/0/RP0/CPU0:ios#

```

Step 3 Enter a new password to use for this router.

The software checks the security strength of your password and rejects your password if the system does not consider it as a strong password. To increase the security strength of your password, make sure that it adheres to the following guidelines:

- At least eight characters
- Minimizes or avoids the use of consecutive characters (such as "abcd")
- Minimizes or avoids repeating characters (such as "AAA")
- Does not contain recognizable words in the dictionary
- Does not contain proper names
- Contains both uppercase and lowercase characters
- Contains numbers and letters

Note Cleartext passwords cannot include the dollar sign (\$) special character.

Tip If a password is trivial (such as a short, easy-to-decipher password), the software rejects that password. Passwords are case-sensitive.

When you enter a strong password, the software asks you to confirm the password.

Step 4 Reenter the password.

When you enter the same password, the software accepts the password.

Step 5 Enter the configuration mode.

Step 6 Enter the IP address for the management interface. If using dual RPs, enter the IP address on both management interfaces.

Step 7 Enter a network mask for the management interface.

Step 8 The software asks whether you want to edit the configuration. Enter **'no'** to decline.

Verify Chassis Installation

After installing the chassis, use the following **show** commands to verify the installation and configuration in the EXEC mode. Any issue if detected, take corrective action before making further configurations.

Command	Description
show platform	Displays the state information of each card.
show redundancy	Displays the status of route processor redundancy.
show led	Displays LED information for the router, or for a specific LED location.
show hw-module fpd	Displays field-programmable device (FPD) compatibility for all modules or a specific module.
show alarms brief system active	Displays all existing alarms in the router.
show media	Displays the current state of the disk storage media.
show inventory	Displays information about the field replaceable units (FRUs), including product IDs, serial numbers, and version IDs.
show environment	Displays all the environment-related router information.

Command	Description
show environment temperature	<p>Displays temperature readings for card temperature sensors. Each Route Processor, line card, and fabric cards have temperature sensors with two thresholds:</p> <ul style="list-style-type: none"> • Minor temperature threshold – When a minor threshold is exceeded, minor alarm occurs and the following actions occur for all four sensors: <ul style="list-style-type: none"> • Displays system messages • Sends SNMP notifications (if configured) • Log environmental alarm event that can be reviewed by running the show alarm command. • Major temperature threshold – When a major threshold is exceeded, a major alarm occurs and the following actions occur: <ul style="list-style-type: none"> • For sensors 1, 3, and 4 (outlet and on board sensors), the following actions occur: <ul style="list-style-type: none"> • Displays system messages. • Sends SNMP notifications (if configured). • Logs environmental alarm event that can be reviewed by running the show alarm command. • For sensor 2 (intake sensor), the following actions occur: <ul style="list-style-type: none"> • If the threshold is exceeded in a switching card, only that card is shut down. • If the threshold exceeds an active Route Processor card with HA-standby or standby present, only that Route Processor card is shut down and the standby Route Processor card takes over. • If you do not have a standby Route Processor card in your router, you have up to 2 minutes to decrease the temperature. During this interval, the software monitors the temperature every 5 seconds and continuously sends system messages as configured. <p>Note</p> <ul style="list-style-type: none"> • Cisco recommends that you install dual Route Processor cards. • For some card temperature sensors, the temperature thresholds for both minor and major might display 'NA'. This is an expected behaviour and indicates that there are no alarms for those corresponding thresholds.
show environment power	Displays the power usage information for the entire router.
show environment voltage	Displays the voltage for the entire router.
show environment current	Displays the current environment status.

Command	Description
show environment fan	Displays the status of the fan trays.

The following example shows sample output from the **show environment** command:

Location	TEMPERATURE	Value	Crit	Major	Minor	Minor
Major	Crit					
(Hi)	Sensor	(deg C)	(Lo)	(Lo)	(Lo)	(Hi)

0/RP0/CPU0						
	Inlet_Temp	30	-10	-5	0	46
50	52					
	X86_CORE_5_T	72	-10	-5	0	NA
100	105					
	DIMM_TEMP1	44	-10	-5	0	NA
95	100					
	DIMM_TEMP2	43	-10	-5	0	NA
95	100					
	SSD_Temp	48	-10	-5	0	NA
80	83					
	T1_2PLUS1_TEMP	45	-10	-5	0	125
130	135					
	T1_1PLUS1_TEMP	44	-10	-5	0	125
130	135					
	Outlet_Temp	44	NA	NA	NA	NA
NA	140					
	Hot_Spot_Temp	44	NA	NA	NA	NA
NA	140					
	X86_PKG_TEMP	72	-10	-5	0	NA
100	105					
	X86_CORE_0_T	73	-10	-5	0	NA
100	105					
	X86_CORE_1_T	72	-10	-5	0	NA
100	105					
	X86_CORE_2_T	73	-10	-5	0	NA
100	105					
	X86_CORE_3_T	73	-10	-5	0	NA
100	105					
	X86_CORE_4_T	73	-10	-5	0	NA
100	105					

Location	VOLTAGE	Value	Crit	Minor	Minor	
Crit	Sensor	(mV)	(Lo)	(Lo)	(Hi)	
(Hi)						

0/RP0/CPU0						
	IBV	10288	8928	9312	11536	
11984						
	VP1P8_OCXO	1806	1638	1710	1890	
1962						
	P1_8V	1816	1638	1710	1890	
1962						
	P1_0V_ALDRIN_SD	1006	910	950	1050	
1090						
	P1_0V_ALDRIN_CRE	985	930	970	1030	

Verify Chassis Installation

```

1070
1090      P1V                      1006      910      950      1050
981      P0_9V                    911      819      855      945

```

```

=====
Location  CURRENT                      Value
          Sensor                      (mA)
-----
0/RP0/CPU0
          MB_VP54P0V_curr          1448
=====

```

```

=====
Location      FRU Type                      Fan speed (rpm)
          FAN_0      FAN_1      FAN_2      FAN_3      FAN_4      FAN_5
-----
0/FT0      8812-FAN          8130      8100      8160      8160      8160      8100
0/FT1      8812-FAN          8190      8160      8250      8190      8160      8160
0/FT2      8812-FAN          8130      8160      8190      8190      8220      8190
0/FT3      8812-FAN          8460      8400      8460      8400      8400      8370
0/PT0-PM0  PSU6.3KW-HV          7010      7290
0/PT0-PM1  PSU6.3KW-HV          7204      7677
0/PT0-PM2  PSU6.3KW-HV          8559      8709
=====

```

CHASSIS LEVEL POWER INFO: 0

```

=====
Total output power capacity (N + 1)      : 17400W + 0W
Total output power required              : 15280W
Total power input                        : 8571W
Total power output                       : 8185W
=====

```

```

=====
Power      Supply      -----Input-----      -----Output---      Status
Module     Type              Volts A/B      Amps A/B      Volts      Amps
-----
0/PT0-PM0  PSU6.3KW-HV      205.0/205.3  7.4/7.6      54.0      54.4      OK
0/PT0-PM1  PSU6.3KW-HV      205.0/205.0  7.5/7.9      54.3      56.0      OK
0/PT0-PM2  PSU6.3KW-HV      0.0 /205.0  0.0/11.4     53.7      41.1      OK
=====

```

```

Total of Power Modules:      10307W/46.0A      9691W/176.0A
=====

```

```

=====
Location      Card Type                      Power      Power      Status
          Power      Allocated      Used
          Watts      Watts
-----
0/RP0/CPU0    8800-RP                      249      80      ON
0/RP1/CPU0    8800-RP                      249      73      ON
0/0/CPU0      -                            25      -      RESERVED
0/1/CPU0      8800-LC-48H                  1365     499     ON
0/2/CPU0      8800-LC-48H                  1365     499     ON
0/3/CPU0      8800-LC-48H                  1365     509     ON
0/4/CPU0      8800-LC-48H                  1365     503     ON
0/5/CPU0      8800-LC-48H                  1365     511     ON
0/6/CPU0      8800-LC-48H                  1365     664     ON
0/7/CPU0      8800-LC-48H                  1365     501     ON
0/8/CPU0      8800-LC-48H                  1365     499     ON
=====

```

0/9/CPU0	8800-LC-48H	1365	501	ON
0/10/CPU0	8800-LC-48H	1365	495	ON
0/11/CPU0	8800-LC-48H	1365	506	ON
0/FC0	-	1040	-	RESERVED
0/FC1	8812-FC	1040	524	ON
0/FC2	8812-FC	1040	528	ON
0/FC3	8812-FC	1040	523	ON
0/FC4	8812-FC	1040	529	ON
0/FC5	8812-FC	1040	531	ON
0/FC6	-	1040	-	RESERVED
0/FC7	-	1040	-	RESERVED
0/FT0	8812-FAN	762	370	ON
0/FT1	8812-FAN	762	364	ON
0/FT2	8812-FAN	762	362	ON
0/FT3	8812-FAN	762	371	ON

The following example displays the temperature readings for each of the powered-up cards using the **show environment temperatures** command:

Location	TEMPERATURE	Value	Crit	Major	Minor	Minor
Major	Crit					
(Hi)	Sensor	(deg C)	(Lo)	(Lo)	(Lo)	(Hi)
(Hi)	(Hi)					

0/RP0/CPU0						
	Inlet_Temp	28	-10	-5	0	60
65	70					
	Pwr_Brick_Temp2	33	-10	-5	0	120
125	130					
	Mosfet_54v_Temp1	27	-10	-5	0	120
125	130					
	Mosfet_54v_Temp2	27	-10	-5	0	120
125	130					
	SSD_Temp	26	-10	-5	0	65
72	80					
	Outlet_Temp	29	-10	-5	0	80
85	90					
	Hot_Spot_1_Temp	31	-10	-5	0	80
85	90					
	Hot_Spot_2_Temp	31	-10	-5	0	80
85	90					
	TMP421_Temp	30	-10	-5	0	95
100	105					
	PEX8725_Temp	39	-10	-5	0	95
100	105					
	X86_PKG_TEMP	39	-10	-5	0	93
97	102					
	Pwr_Brick_Temp1	34	-10	-5	0	120
125	130					
	ALDRIN_TEMP_0	36	-5	0	5	95
100	110					
	Control_Sensor	28	-10	-5	0	60
65	70					
0/FT0						
	Hotswap_Temp	29	-10	-5	0	65
75	85					
	Low_vol_Temp	31	-10	-5	0	65
75	85					
0/FT1						
	Hotswap_Temp	30	-10	-5	0	65

75	85					
	Low_vol_Temp	32	-10	-5	0	65
75	85					
0/FT2						
	Hotswap_Temp	31	-10	-5	0	65
75	85					
	Low_vol_Temp	32	-10	-5	0	65
75	85					
0/FT3						
	Hotswap_Temp	31	-10	-5	0	65
75	85					
	Low_vol_Temp	32	-10	-5	0	65
75	85					
0/PT0-PM0						
	! PFC_B_Temp	10245	-10	-5	0	125
127	130					
	Inlet_Temp	28	-10	-5	0	65
67	70					
	HSNK_Temp	100	-10	-5	0	125
127	130					
	Outlet_Temp	87	-10	-5	0	105
108	110					
	! LLC_B_Temp	10245	-10	-5	0	125
127	130					
	! SR_B_Temp	10245	-10	-5	0	125
127	130					
	! ORING_B_Temp	10245	-10	-5	0	125
127	130					
	! PFC_A_Temp	10245	-10	-5	0	125
127	130					
	! LLC_A_Temp	10245	-10	-5	0	125
127	130					
	! SR_A_Temp	10245	-10	-5	0	125
127	130					
	! ORING_A_Temp	10245	-10	-5	0	125
127	130					
0/PT0-PM1						
	! PFC_B_Temp	10245	-10	-5	0	125
127	130					
	Inlet_Temp	28	-10	-5	0	65
67	70					
	HSNK_Temp	99	-10	-5	0	125
127	130					
	Outlet_Temp	87	-10	-5	0	105
108	110					
	! LLC_B_Temp	10245	-10	-5	0	125
127	130					
	! SR_B_Temp	10245	-10	-5	0	125
127	130					
	! ORING_B_Temp	10245	-10	-5	0	125
127	130					
	! PFC_A_Temp	10245	-10	-5	0	125
127	130					
	! LLC_A_Temp	10245	-10	-5	0	125
127	130					
	! SR_A_Temp	10245	-10	-5	0	125
127	130					
	! ORING_A_Temp	10245	-10	-5	0	125
127	130					
0/PT0-PM2						
	PFC_B_Temp	72	-10	-5	0	125
127	130					
	Inlet_Temp	25	-10	-5	0	65
67	70					

127	HSNK_Temp	72	-10	-5	0	125
127	130					
108	Outlet_Temp	61	-10	-5	0	105
127	110					
127	LLC_B_Temp	69	-10	-5	0	125
127	130					
127	SR_B_Temp	58	-10	-5	0	125
127	130					
127	ORING_B_Temp	64	-10	-5	0	125
127	130					
127	! PFC_A_Temp	0	-10	-5	0	125
127	130					
127	! LLC_A_Temp	0	-10	-5	0	125
127	130					
127	! SR_A_Temp	0	-10	-5	0	125
127	130					
127	! ORING_A_Temp	0	-10	-5	0	125
127	130					



Caution Please be careful while increasing the Altitude setting, as it leads to a rise in control sensor values and consequently the Chassis could shut down immediately if the control sensor crosses the critical threshold.

The following example shows sample output from the **show environment power** command:

```

=====
CHASSIS LEVEL POWER INFO: 0
=====
Total output power capacity (N + 1)      : 107100W + 6300W
Total output power required              : 25015W
Total power input                        : 6019W
Total power output                       : 4636W
=====

Power      Supply      -----Input-----  -----Output---  Status
Module     Type              Volts A/B  Amps A/B  Volts  Amps
=====
0/PT0-PM0  PSU6.3KW-HV        402.3/401.5 0.5/0.4  55.6   4.9   OK
0/PT0-PM1  PSU6.3KW-HV        400.6/400.9 0.5/0.5  55.6   6.0   OK
0/PT0-PM2  PSU6.3KW-HV        400.6/400.6 0.5/0.4  55.5   5.0   OK
0/PT1-PM0  PSU6.3KW-HV        400.0/400.0 0.5/0.3  55.4   4.4   OK
0/PT1-PM1  PSU6.3KW-HV        401.8/401.8 0.4/0.3  55.6   3.7   OK
0/PT1-PM2  PSU6.3KW-HV        400.0/400.0 0.4/0.3  55.4   3.6   OK
0/PT2-PM0  PSU6.3KW-HV        401.5/401.5 0.5/0.4  55.6   4.8   OK
0/PT2-PM1  PSU6.3KW-HV        400.0/400.0 0.4/0.4  55.4   4.4   OK
0/PT2-PM2  PSU6.3KW-HV        401.2/401.5 0.5/0.4  55.6   5.0   OK
0/PT3-PM0  PSU6.3KW-HV        300.6/300.9 0.6/0.5  55.5   4.4   OK
0/PT3-PM1  PSU6.3KW-HV        299.7/299.7 0.6/0.4  55.5   4.4   OK
0/PT3-PM2  PSU6.3KW-HV        300.6/300.9 0.5/0.6  55.3   4.4   OK
0/PT4-PM0  PSU6.3KW-HV        299.7/299.7 0.5/0.6  55.2   4.4   OK
0/PT4-PM1  PSU6.3KW-HV        300.6/300.9 0.6/0.5  55.4   4.7   OK
0/PT4-PM2  PSU6.3KW-HV        299.7/299.7 0.5/0.6  55.2   4.4   OK
0/PT5-PM0  PSU6.3KW-HV        300.6/300.9 0.7/0.6  55.6   6.0   OK
0/PT5-PM1  PSU6.3KW-HV        299.7/299.7 0.5/0.5  55.4   4.0   OK
0/PT5-PM2  PSU6.3KW-HV        300.6/300.9 0.5/0.6  55.4   5.1   OK

Total of Power Modules:      6019W/17.5A              4636W/83.6A
=====

Location      Card Type              Power      Power      Status
                  Allocated      Used
=====

```

		Watts	Watts	
0/RP0/CPU0	8800-RP	95	70	ON
0/RP1/CPU0	8800-RP	95	69	ON
0/0/CPU0	-	60	-	RESERVED
0/1/CPU0	-	60	-	RESERVED
0/2/CPU0	-	60	-	RESERVED
0/3/CPU0	-	60	-	RESERVED
0/4/CPU0	-	60	-	RESERVED
0/5/CPU0	8800-LC-48H	1065	489	ON
0/6/CPU0	-	60	-	RESERVED
0/7/CPU0	-	60	-	RESERVED
0/8/CPU0	-	60	-	RESERVED
0/9/CPU0	-	60	-	RESERVED
0/10/CPU0	-	60	-	RESERVED
0/11/CPU0	-	60	-	RESERVED
0/12/CPU0	-	60	-	RESERVED
0/13/CPU0	-	60	-	RESERVED
0/14/CPU0	-	60	-	RESERVED
0/15/CPU0	-	60	-	RESERVED
0/16/CPU0	-	60	-	RESERVED
0/17/CPU0	8800-LC-36FH	1896	679	ON
0/FC0	-	1713	-	RESERVED
0/FC1	-	1713	-	RESERVED
0/FC2	-	1713	-	RESERVED
0/FC3	-	1713	-	RESERVED
0/FC4	8818-FC	1713	429	ON
0/FC5	8818-FC	1713	435	ON
0/FC6	-	1713	-	RESERVED
0/FC7	-	1713	-	RESERVED
0/FT0	8818-FAN	1800	574	ON
0/FT1	8818-FAN	1800	587	ON
0/FT2	8818-FAN	1800	569	ON
0/FT3	8818-FAN	1800	578	ON

Set Fabric Bandwidth Threshold

Fabric bandwidth refers to the bandwidth requirements for communication and traffic flow between the line card and fabric card. The following table provides explanation of terminologies that are associated with fabric bandwidth.

Table 19: Fabric Bandwidth

Fabric Bandwidth	Definition	Significance
Total fabric bandwidth	Maximum bandwidth that is supported between a line card NPU and all fabric cards.	It is a constant value that is defined by the hardware capacity.
Available bandwidth	Total fabric bandwidth available for traffic.	It is a variable denoting real-time bandwidth consumption.

Fabric Bandwidth	Definition	Significance
Bandwidth threshold	A percentage value denoting a limit for bandwidth consumption. Being a system level setting, the threshold applies to all the line card NPUs in the chassis.	It is a user configurable limit; default value is 5%.
Total required bandwidth	Total Fabric Bandwidth x Bandwidth Threshold.	If is a calculated value as a function of user-defined threshold. Network interfaces on line card are active only when “Available bandwidth” is more than “Total required bandwidth”.
Lower required bandwidth	Total fabric bandwidth x (Bandwidth Threshold - 10%) This computation is applicable only for bandwidth threshold values 20% or higher. For bandwidth threshold values of below 20%, the “Lower required bandwidth” is equal to “Total required bandwidth”.	If is also a calculated value as a function of user-defined threshold and denotes a lower cut-off for disabling network interfaces on line card. Disabling happens when “Available bandwidth” falls below the “Lower required bandwidth”.

The Bandwidth Threshold acts a check point to ensure substantial bandwidth availability to carry traffic to the fabric cards. To configure the bandwidth threshold, use the following commands:

```
Router# configure
Router (config)# hw-module profile bw-threshold <value>
Router (config)# commit
```

User can set the threshold value starting with 10 and in increments of 10.

For example, consider that the bandwidth threshold is set to 20%. If the available bandwidth goes below 10%, then the network interfaces of the line card are shut. If the available bandwidth goes above 20%, then the network interfaces of the line card are unshut. The following table provides threshold references.

Table 20: Threshold Reference

Threshold	Percentage								
Bandwidth threshold	5	10	20	30	40	50	60	70	80
Total required bandwidth	5	10	20	30	40	50	60	70	80
Lower required bandwidth	5	10	10	20	30	40	50	60	70



CHAPTER 6

LEDs


You can perform the following check on LEDs that assist you with the troubleshooting process:

- [Chassis LED, on page 101](#)
- [Port Status LEDs, on page 101](#)
- [Power Supply LEDs, on page 102](#)
- [Fan Tray LEDs, on page 103](#)
- [Route Processor Card LEDs, on page 105](#)
- [Fabric Card LEDs, on page 107](#)
- [Line Card LEDs, on page 108](#)

Chassis LED

The LEDs indicate whether each type of module (Route Processor, line cards, fabric cards, fan trays, and power supplies) is fully functional or have a fault condition.

Table 21: Chassis LED Descriptions

LED	Color	Status
ATTN (Attention) 	Blue	The operator has activated this LED to identify this chassis.
	Off	The chassis is not functional.

Port Status LEDs



Note The 8800-LC-48H does not have port LEDs.

Each port on the 8800-LC-36FH has an LED. The following table describes port status LEDs.

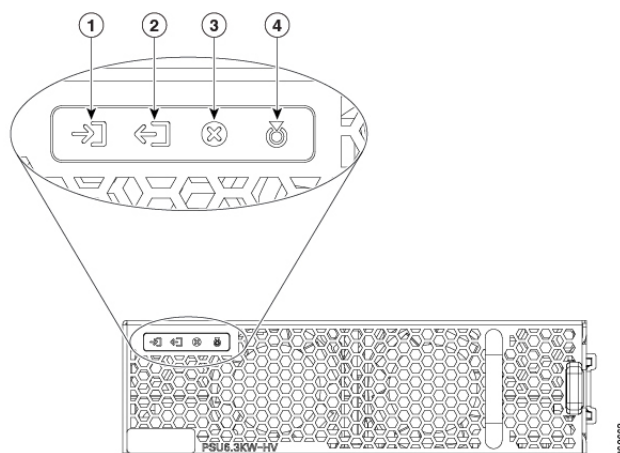
Table 22: Port Status LEDs (One Per Port)

LED Color	Description
Off	Port is administratively shut down.
Green	Port is administratively enabled and the link is up.
Amber	Port is administratively enabled and the link is down.
Flashing Amber	Port is faulty and disabled.

Power Supply LEDs

The power supply LEDs are located on the front portion of the module.


Figure 76: Power Supply LEDs



1	Input OK	3	Fault
2	Output OK	4	ATTN (Attention)

Table 23: Power Supply LED Descriptions

LED	Color	Status
Input OK	Green	Both input voltages are present.
	Flashing Green	Only one input power is present.
	Off	No input power is present.

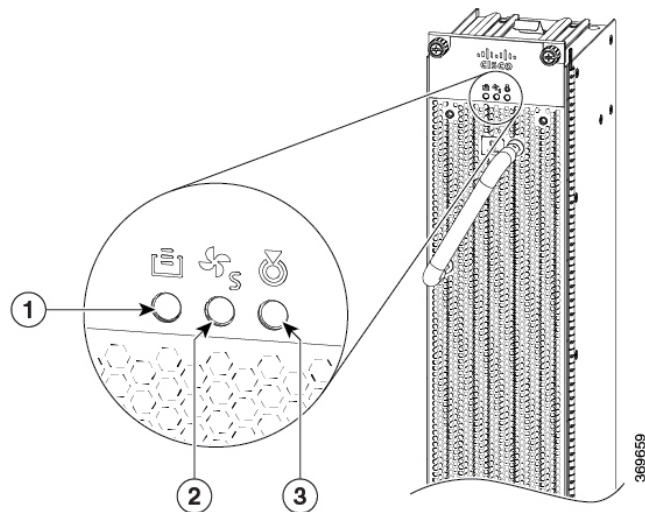
LED	Color	Status
Output OK	Green	Output power is enabled.
	Flashing Green	Output power in power limit, or in overcurrent condition, or is in the sleep-mode. ¹
	Off	Output disabled, or no inputs present, or firmware upgrade in-progress.
Fault	Red	Output voltage is out of the specified range, or a fan has failed, or internal fault.
	Flashing red	Firmware upgrade in-progress.
ATTN (Attention) 	Flashing blue	User configured action <i>config hw-module attention-led location 0/PTx/PMx</i> .
	Off	No user configuration is set.

¹ Sleep mode is not applicable for DC-60 power module.

Fan Tray LEDs


The fan tray LEDs are located on the top portion of the module.

Figure 77: Fan Tray LEDs



1	FC STS (Status)	3	ATTN (Attention)
2	FT STS (Status)		

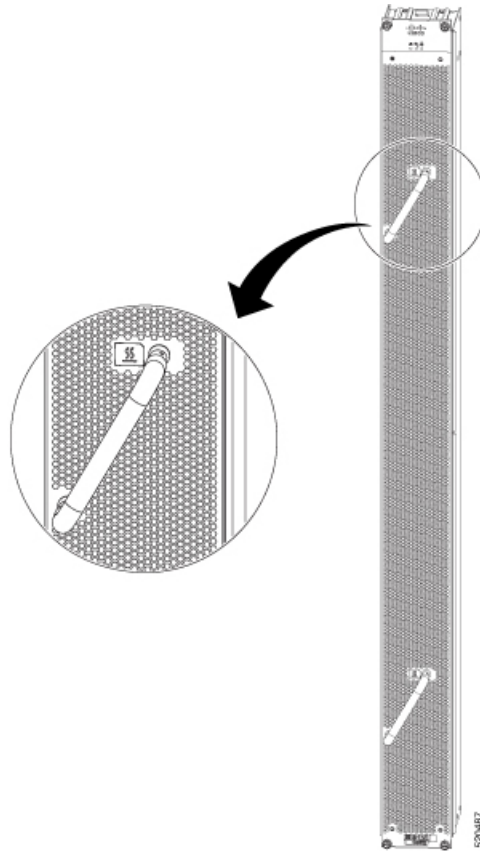
Table 24: Fan Tray LED Descriptions

LED	Color	Status
ATTN (Attention) 	Flashing Blue	The operator has activated this LED to identify the fan tray in the chassis.
	Off	The operator had not activated the LED to identify the fan tray in the chassis.
FT STS	Amber	The fan tray is powered on.
	Green	The fan tray is operational.
	Flashing amber	The module has minor alarm.
	Flashing red	The module has active major or critical alarms.
	Flashing green	FPD upgrade in-progress.
	Off	No power to the fan tray.
FC STS	Amber	The fabric cards are powered on and is in one of the following states: <ul style="list-style-type: none"> • Either one or more fabric cards behind this fan tray is not operational. • Either one or more fabric cards behind this fan tray have minor, major or critical alarm.
	Green	<ul style="list-style-type: none"> • One of the fabric modules is operational and other one not present. • Both fabric cards behind this fan tray are operational.
	Off	If both the fabric modules behind this fan tray are plugged out (or not present).

Temperature Warning Label

Every fan tray has a temperature warning label beside its handle. The temperature warning label is temperature sensitive. At normal operating temperatures (less than 55°C), the warning label has a black background with black edges. At temperatures above 55°C, the background color changes to white and the edges' color changes to red.

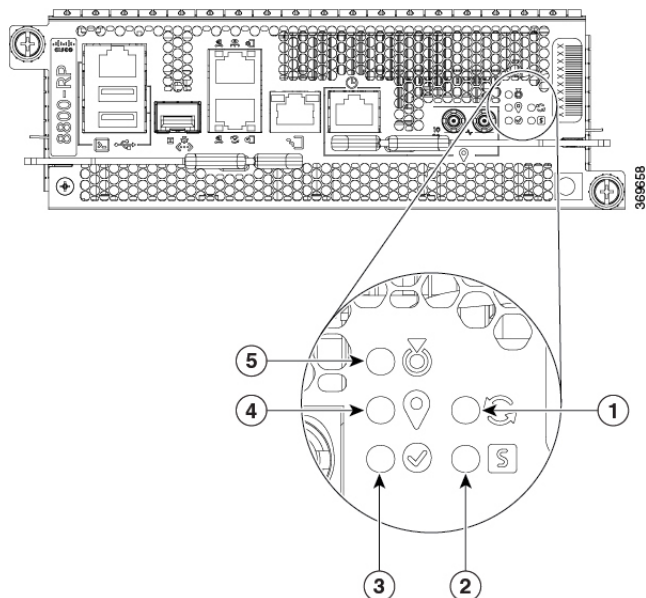
Figure 78: Temperature Warning Label



Route Processor Card LEDs


The Route Processor LEDs are located on the front of the module.




Figure 79: Route Processor LEDs



1	SYNC	4	GPS
2	STS (Status)	5	ATTN (Attention)
3	Active		

Table 25: Route Processor Card LED Descriptions

LED	Color	Status
ATTN (Attention) 	Flashing blue	The operator has activated this LED to identify this module in the chassis.
	Off	This module is not being identified.

LED	Color	Status
STS (Status) 	Green	This router processor is operational with no issues.
	Flashing green	The auto or manual FPD upgrade in-progress.
	Flashing amber	The module has minor alarm.
	Flashing red	The module has active major or critical alarms.
	Amber	The module is in one of the following states: <ul style="list-style-type: none"> • Power cycle • Reload or reimage • Shutdown
	Red	BIOS boot failure. Also, the ATTN LED remains blue.
ACT (Active)	Green	The RP/RSP is in the Active state.
	Off	The RP/RSP is in the Standby state.
GPS 	Green	The GPS interface is provisioned and frequency, time of day and phase inputs are all operating correctly.
	Off	The GPS interface is not provisioned, or the GPS inputs are not working correctly.
SYNC 	Green	The frequency, time, and phase are synchronized to an external interface. The external interface could be: <ul style="list-style-type: none"> • BITS • GPS • Recovered RX Clock
	Amber	The system is running in holdover or free-run mode and it is not synchronized to an external interface.
	Off	The centralized frequency or time and phase distribution is not enabled.



Fabric Card LEDs

The fabric cards are located behind the fan trays.



Note The fabric cards are located behind the fan tray. Therefore, the fabric card LEDs are seen when the fan tray is removed.


Table 26: Fabric Card LED Descriptions


LED	Color	Status
ATTN (Attention) 	Flashing blue	The operator has activated this LED to identify this module in the chassis.
	Off	This module is not being identified.
STS 	Green	The fabric card is operational with no issues.
	Flashing green	Auto or manual FPD upgrade in-progress.
	Amber	The module is in one of the following states: <ul style="list-style-type: none"> • Power cycle • Reload or reimage • Shutdown
	Flashing red	The fabric card has major or critical alarms.
	Flashing amber	The module has minor alarm.
	Off	No power is going to the fabric card.

Line Card LEDs

The line card has LEDs located on the right of the front panel.

Table 27: Line Card LED Descriptions

LED	Color	Status
ATTN (Attention) 	Flashing blue	The operator has activated this LED to identify this module in the chassis.
	Off	The line card is not enabled.

LED	Color	Status
STS (Status) 	Amber	The module is in one of the following states: <ul style="list-style-type: none"> • Power cycle • Reload or reimage • Shutdown
	Green	This module is operational with no issues.
	Flashing green	The auto or manual FPD upgrade in-progress.
	Flashing amber	The module has a minor alarm.
	Flashing red	The module has active major or critical alarms.
	Red	BIOS boot failure. Also, the ATTN LED remains blue.
	Off	The module is not enabled.



CHAPTER 7

Replace Chassis Components



Note The images in this chapter are only for representation purposes, unless specified otherwise. The chassis' actual appearance and size may vary.



Caution Whenever you replace any card, you must always ensure to secure the ejector thumbscrews properly.

- [Replace Chassis Door Foam Air Filters, on page 111](#)
- [Provision of Grace Period Before Route Processor Shutdown from Ejector Lever, on page 113](#)
- [Replace a Route Processor Card, on page 114](#)
- [Replace a Line Card, on page 119](#)
- [Replace a Fan Tray, on page 133](#)
- [Replace Fabric Card, on page 136](#)
- [Replace Power Supply Components, on page 142](#)

Replace Chassis Door Foam Air Filters

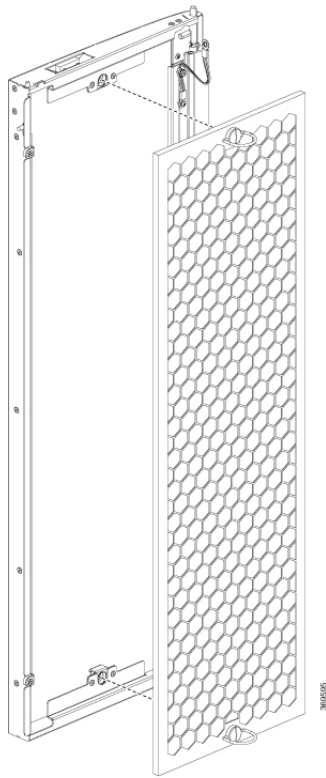


Note In general, we recommend that you inspect the air filter every 3 months and replace.

The front doors come with pre-installed air filters (8818-FILTER, 8812-FILTER, 8808-FILTER, or 8804-FILTER). If air filters need a replacement, follow this procedure.

Procedure

Step 1 Remove the two quarter turn fasteners from the front door as shown.

Figure 80: Replace Air Filter

Step 2 Install the new door filters on both the front doors.

Step 3 Tighten the two quarter turn fasteners back on the doors.

Provision of Grace Period Before Route Processor Shutdown from Ejector Lever

Table 28: Feature History Table

Feature Name	Release Information	Feature Description
Provision of Grace Period Before Route Processor Shutdown from Ejector Lever	Release 7.3.1	<p>Unlatching the ejector lever of any card that is in operational state, triggers a graceful shutdown of that card.</p> <p>With this release, the active RP card is enabled with a grace period of 15 seconds before it shuts down. In the event the ejector lever is unlatched, or for any other reason, you have 15 seconds to relatch the ejector lever and return the active RP back to its operational state.</p> <p>The hw-module ejector close wait command is introduced for this feature.</p>

Earlier, unlatching the ejector lever from the latch lock immediately would trigger a graceful shutdown of the Route Processor if the card is in the operational state. However, after enabling this feature, the active RP card has a grace period of 15 seconds before shutdown.

If the ejector lever is latched back within this grace period, then the card returns to the operational state. This feature, therefore, provides the option of closing the ejector lever without triggering a shutdown. This feature is especially useful when an ejector lever is accidentally unlatched.

This feature is supported only on a route processor card.

If the ejector is unlatched when card is in a status other than operational state then the grace period feature will not be supported.



- Caution** When you enable this feature, *do not* remove the RP during the 15-second grace period. Remove the RP *only* in either of the following two ways:
- Allow the RP to shut down after the 15-second grace period, then remove the RP.
 - Close the ejector lever within the 15-second grace period, then remove the RP gracefully (shutdown the RP first) or ungracefully.

LED Status

The RP status LED blinks twice with one second gap until the grace period is over.

Enabling Grace Period Before Shutting down a RP Card

This task explains how to enable grace period before shutting down a RP card:

```
Router(config)# hw-module ejector close wait
Router(config)# commit
Router(config)# end
```

The configuration is applied only on the active RP.

Use the **no** form of the command to remove the grace period configuration.

```
Router(config)# no hw-module ejector close wait
```

Replace a Route Processor Card

The Cisco 8818, Cisco 8812, Cisco 8808, and Cisco 8804 Routers support OIR of RSP cards.

The router supports up to two redundant Route Processor cards (8800-RP). When two Route Processor cards are installed in the router, one acts as an active card and the other as the standby card. When the active Route Processor card is removed, the router automatically makes the standby Route Processor card active. If the router has only one Route Processor card that is installed, a new Route Processor can be installed in the empty Route Processor slot during operation.



Warning Statement 1029—Blank Faceplates and Cover Panels

Blank faceplates and cover panels serve three important functions: they prevent exposure to hazardous voltages and currents inside the chassis; they contain electromagnetic interference (EMI) that might disrupt other equipment; and they direct the flow of cooling air through the chassis. Do not operate the system unless all cards, faceplates, front covers, and rear covers are in place.

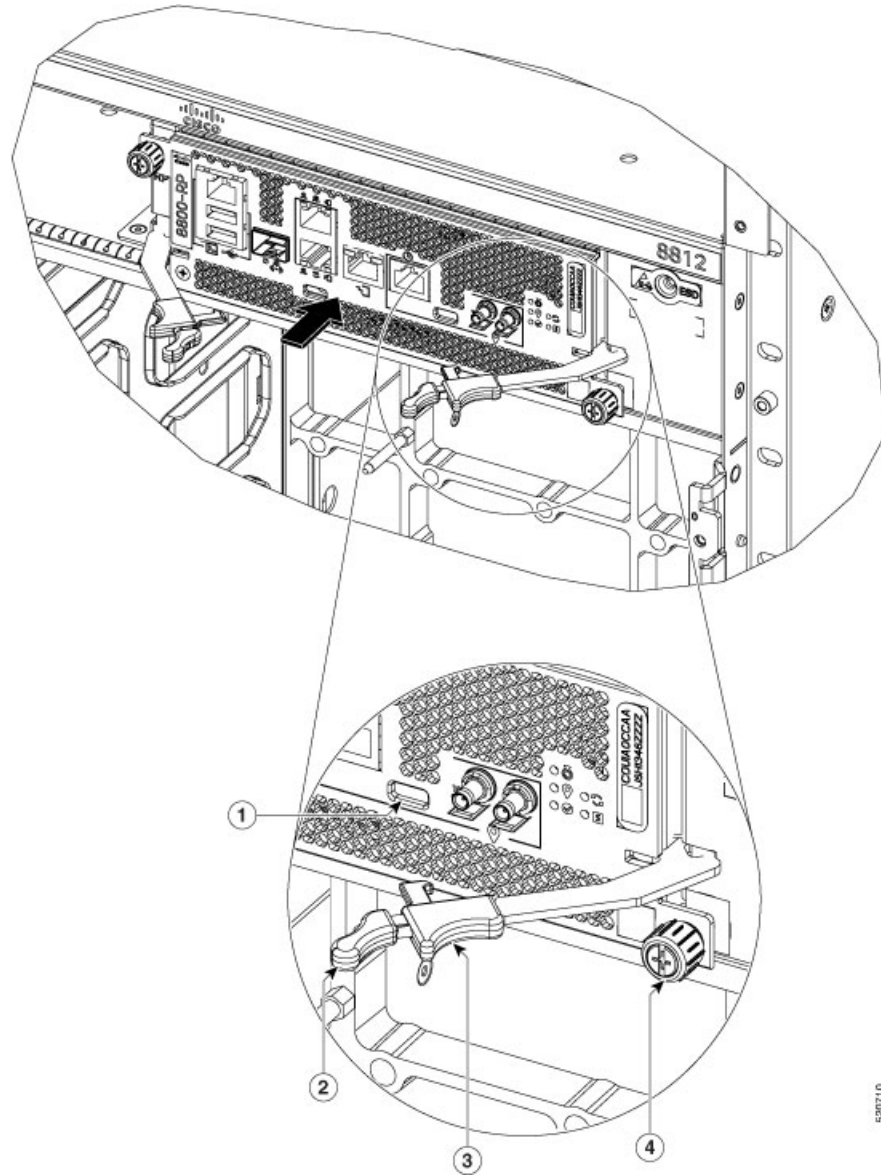


Warning Statement 1034—Backplane Voltage

Hazardous voltage or energy is present on the backplane when the system is operating. Use caution when servicing

The below figure describes the components used in the Route Processor installation procedure.

Figure 81: Route Processor Card Components



1	Latch Lock	3	Latching Mechanism
2	Ejector Lever Handle	4	Captive Screw



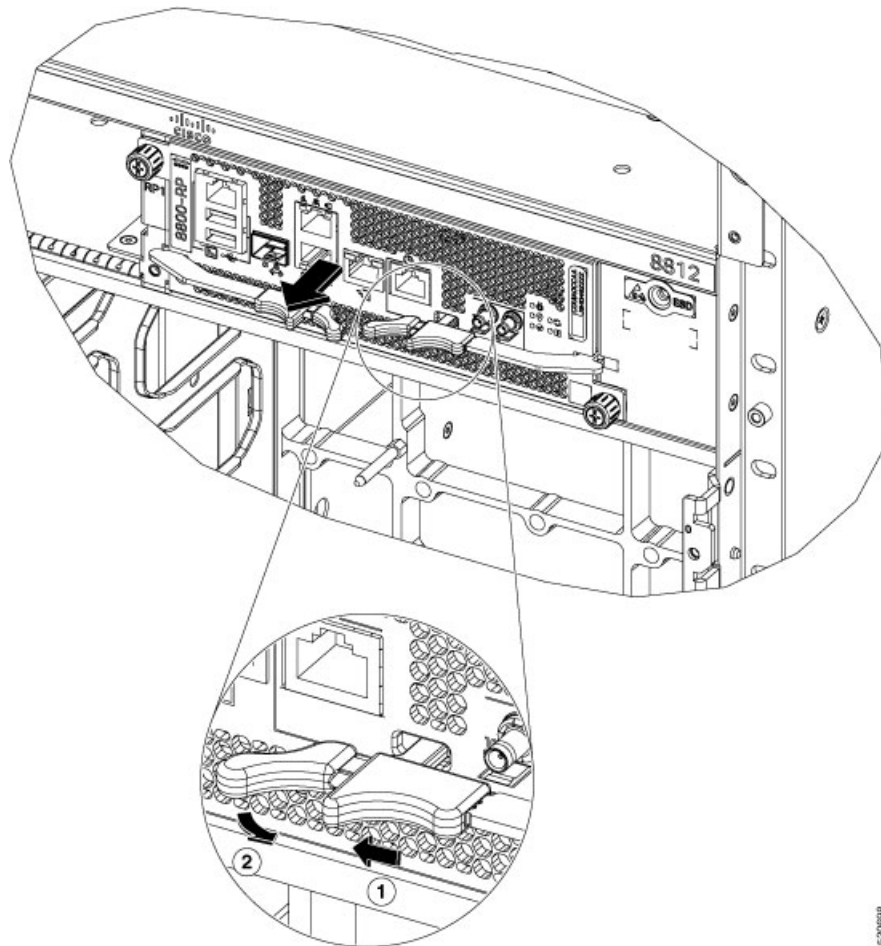
Caution Unlatching the right ejector lever, so that it disengages from the latch lock (Callout 1 in above figure) triggers graceful shutdown of the Route Processor if the card is up. If the card shuts down then wait for the Route Processor status LED to turn off before proceeding.

Moving the latch to the side does not disengage the latch from the lock. This is a safeguard mechanism if an operator initiated shutdown of the route processor has not been performed before opening the levers. The ejector open will be logged.

Procedure

- Step 1** Open the packaging for the new Route Processor card, inspect the card for damage, and verify that the card is the same type as the other Route Processor card installed in the chassis.
- If the card is damaged, alert the Technical Assistance Center (TAC).
- Step 2** If you are installing the card in an empty slot, remove the blank card that is already in that slot by unscrewing its captive screw and pulling it out of the slot. Go to Step 4.
- Step 3** If you are replacing a card that is currently in the chassis, remove the existing card from the chassis by following these steps:
- Run the **shutdown location 0/ {RP0 | RP1}** command in EXEC mode, which gracefully shuts down Route Processor module to prevent any of the file systems from being corrupted.
 - Verify that the Route Processor Status LED for the slot that you specified turns to Amber. Also, you can use the **show platform** command to verify that the status of the card is SHUT DOWN.
 - Disconnect the cables from the card.
 - If there are any external drives attached to the card through its USB ports, detach those drives.
 - Loosen the two captive screws (one on each side of the RP) until the screws are no longer in contact with the chassis.
 - Slide the latch on each of the ejector lever outwards from the lever center (see Callout 1 in the below figure).
- This action disengages the ejector levers from the faceplate.

Figure 82: Remove Route Processor Card from Chassis



- g) Pull to rotate the levers away from the front of the card (see Callout 2 in the above figure)

The card unseats its connectors from the midplane and moves slightly out of the chassis.

- h) Use one hand to hold the front of the card, place your other hand under the card to support its weight, pull the card out of the chassis, and set it on an antistatic surface or inside an antistatic bag.

Note While performing OIR of the card, wait for 30 seconds before inserting the same or new card in the same slot. This will allow the card to boot properly and reach operational state.

Step 4 To install a new card, follow these steps:

- a) If any of the ejector levers are in closed position slide the latch on the ejector lever outwards from the lever center and pull to rotate the lever away from the front of the card.

This action opens the lever so that the card can be fully inserted into the slot.

- b) Hold the front of the card with one hand and place your other hand under the card to support its weight.
c) Align the back of the card to the guides in the open Route Processor slot and slide the card all the way into the slot.

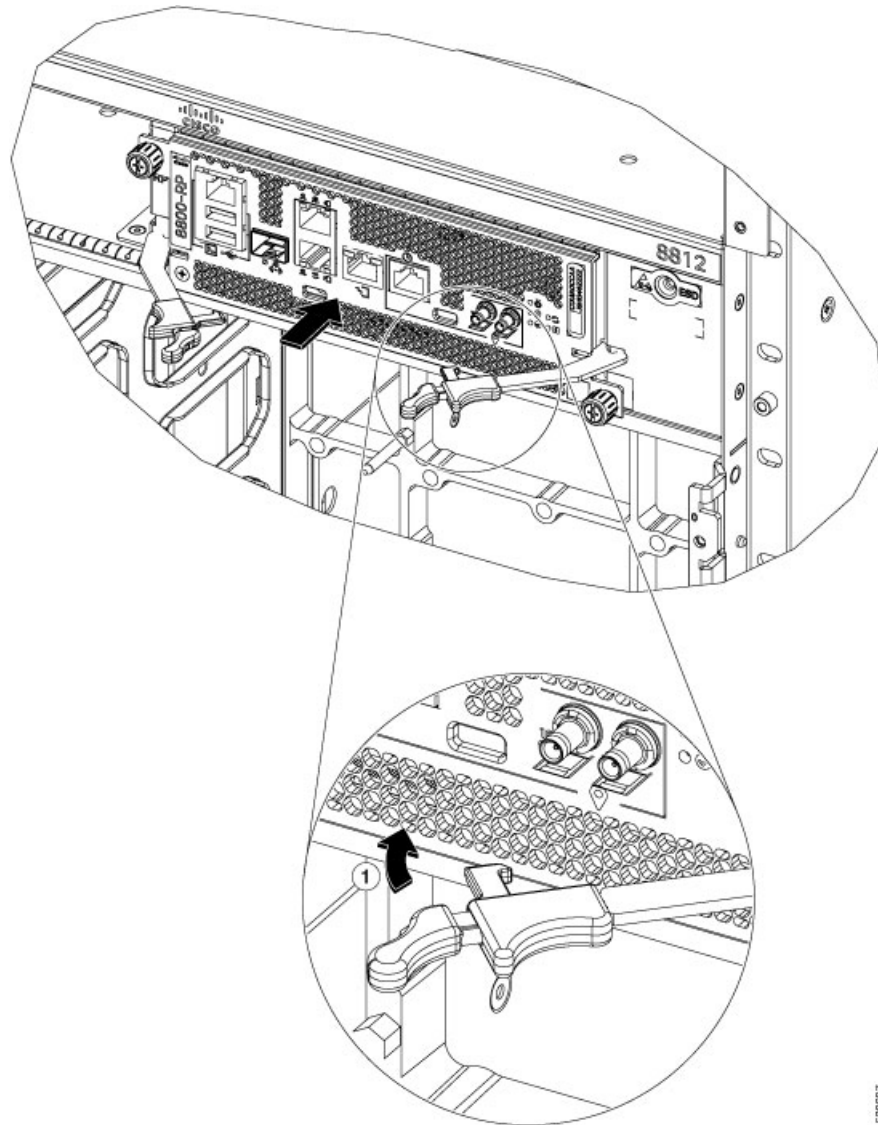
The card stops when its front is about 0.25 inches (0.6 cm) outside the front of the chassis.

- d) Rotate the levers firmly all the way to the front of the chassis. Then firmly push the tip of the levers towards the faceplate till the latch hook locks in place behind the faceplate. You may hear a click or see the latch engage. (See Callout 1 in the below figure.)

Make sure that the other end of both levers engages behind the latching slot on the faceplate so that the card fully seats onto the connectors on the midplane.

Note To confirm that the card is installed properly, pull the black tip of each ejector lever lightly, and make sure the lever does not pop out.

Figure 83: Install Route Processor Card into Chassis



- e) Screw in the two captive screws to secure the card to the chassis. Tighten the screws to 8 in-lb (0.9 N·m) of torque.
- f) Attach the cables to the card.

- g) Verify that the Route Processor card status LEDs turn on and appear green.

Replace a Line Card

The Cisco 8800 series routers can operate with one or more line cards. If there is at least one line card that is installed and operating in the chassis, you can replace another line card or install a new line card in an empty line card slot.

The Cisco 8800 series routers support OIR of line cards.



Note You must install at least one route processor card when you power on the router.

Cisco 8800 series line cards use either buttons or latches to lock the ejector levers.

- [Replace or Install a Line Card - Ejector Levers with Buttons, on page 119](#)
- [Replace or Install a Line Card - Ejector Levers with Latches, on page 127](#)

Replace or Install a Line Card - Ejector Levers with Buttons



Warning **Statement 1029**—Blank Faceplates and Cover Panels

Blank faceplates and cover panels serve three important functions: they prevent exposure to hazardous voltages and currents inside the chassis; they contain electromagnetic interference (EMI) that might disrupt other equipment; and they direct the flow of cooling air through the chassis. Do not operate the system unless all cards, faceplates, front covers, and rear covers are in place.



Warning **Statement 1034**—Backplane Voltage

Hazardous voltage or energy is present on the backplane when the system is operating. Use caution when servicing



Warning **Statement 1051**—Laser Radiation

Invisible laser radiation may be emitted from disconnected fibers or connectors. Do not stare into beams or view directly with optical instruments.



Caution Line cards have two ejector levers to release the card from the router. Use these levers to remove the line card and to seat the line card firmly in the router when you are installing the line card. The ejector levers align and seat the card connectors in the router. To avoid damaging card mechanical components, never carry a line card by the captive installation screws or ejector levers. Doing so can damage these components and cause card insertion problems.



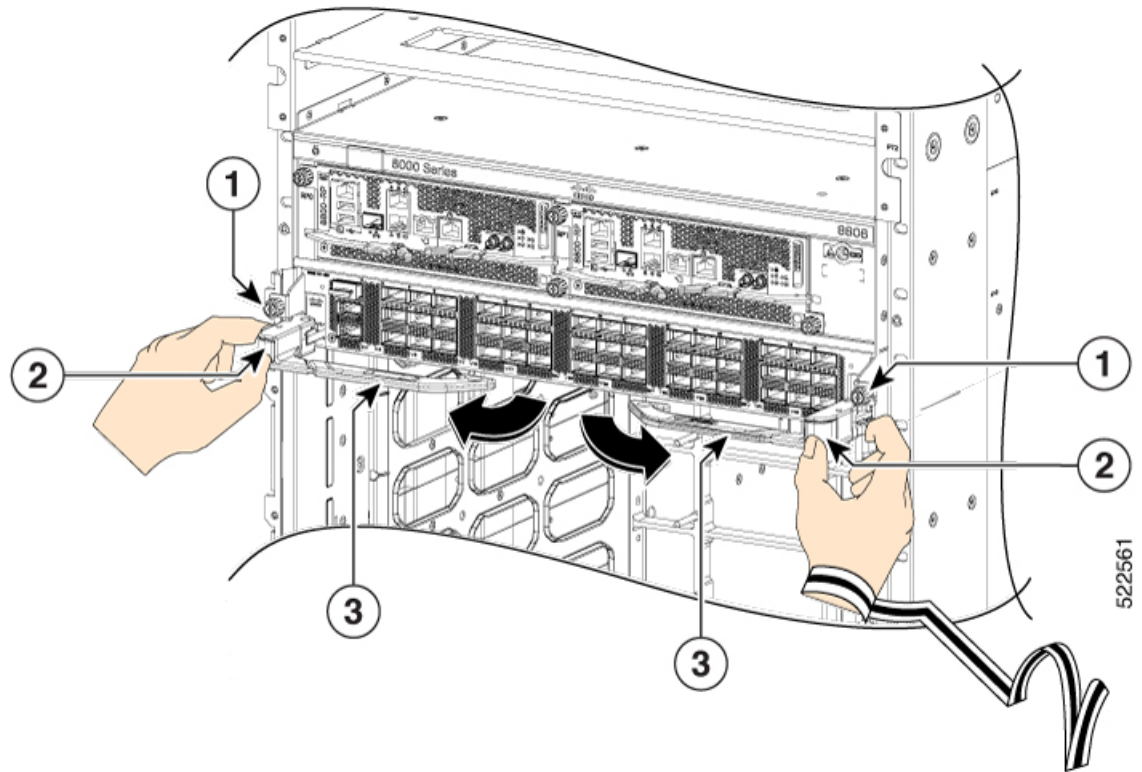
Note Opening the ejector levers of an installed line card causes the line card to shut down even when the captive screws are screwed in. To reboot the line card, users must do one of the following:

- Remove and reinsert the line card and close the ejector levers.
- Close the ejector levers and reload the card using the **reload location** `<rack>/<line-card-slot>` **force** command.

Procedure

- Step 1** Open the packaging for the new line card and inspect the line card for damage.
If the line card is damaged, contact the Technical Assistance Center (TAC).
- Step 2** If you are replacing a line card that is currently in the chassis, remove the existing line card from the chassis by following these steps:
- a) Run the **shutdown location 0/ location/CPU0** command, which gracefully shuts down the line card.
 - b) Verify that the Line Card LED for the slot that you specified turns off. Also, you can use the **show platform** command to verify that the status of the card is SHUT DOWN.
 - c) Disconnect and label each of the interface cables from the line card.
 - d) Loosen the two captive screws.
 - e) Press the ejector buttons and the two ejector levers open in the direction as shown in the image below.

Figure 84: Press the Ejector Buttons

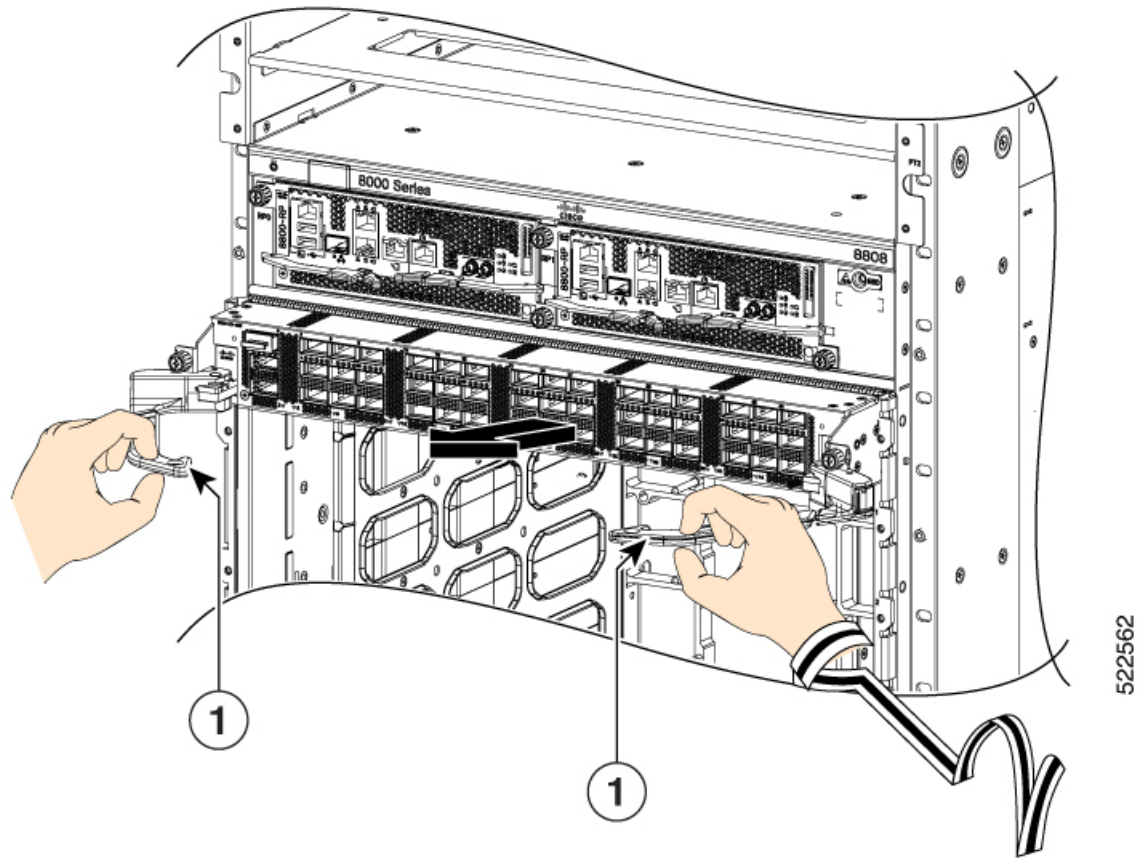


522561

1	Captive screws	3	Ejector levers
2	Ejector buttons		

- f) Use the ejector levers to pull the line card a couple of inches (about 5 cm) from the chassis.

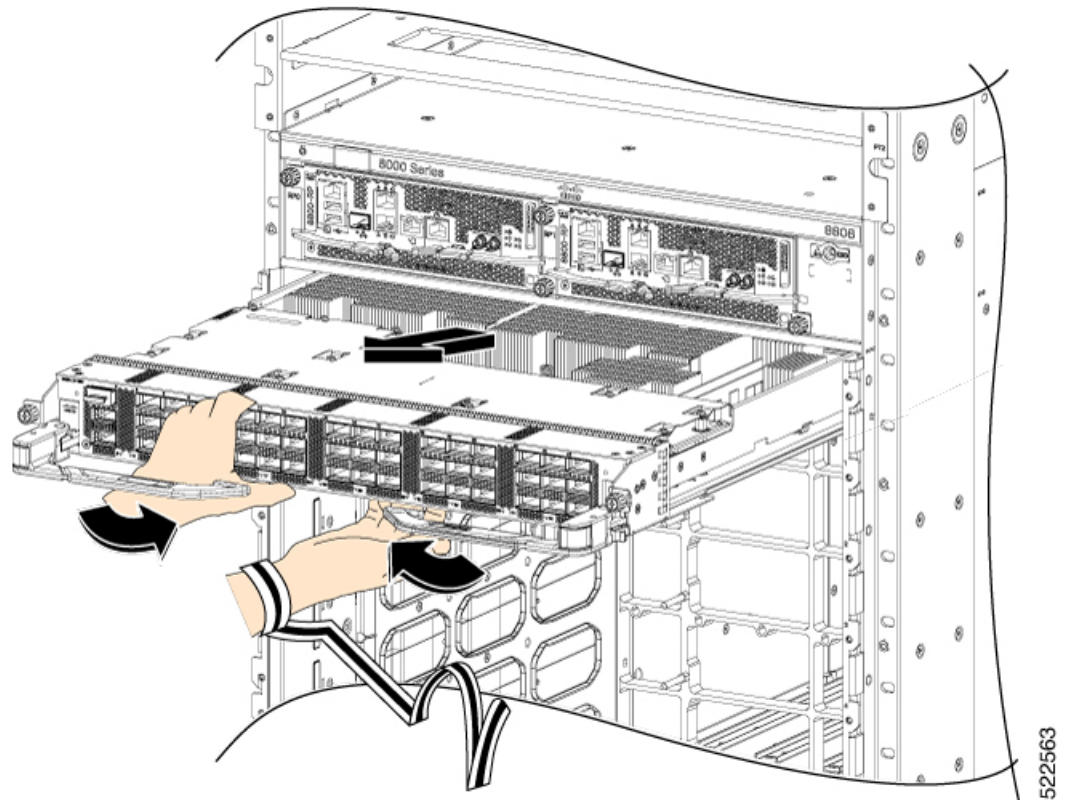
Figure 85: Pull the Line Card from the Chassis



1	Ejector levers
---	----------------

- g) Close the ejector levers in the direction as shown in the image below. Use one hand to hold the front of the line card, place your other hand under the line card to support its weight, pull it out of the chassis, and set it on an antistatic surface or inside an antistatic bag.

Figure 86: Remove the line card from the chassis

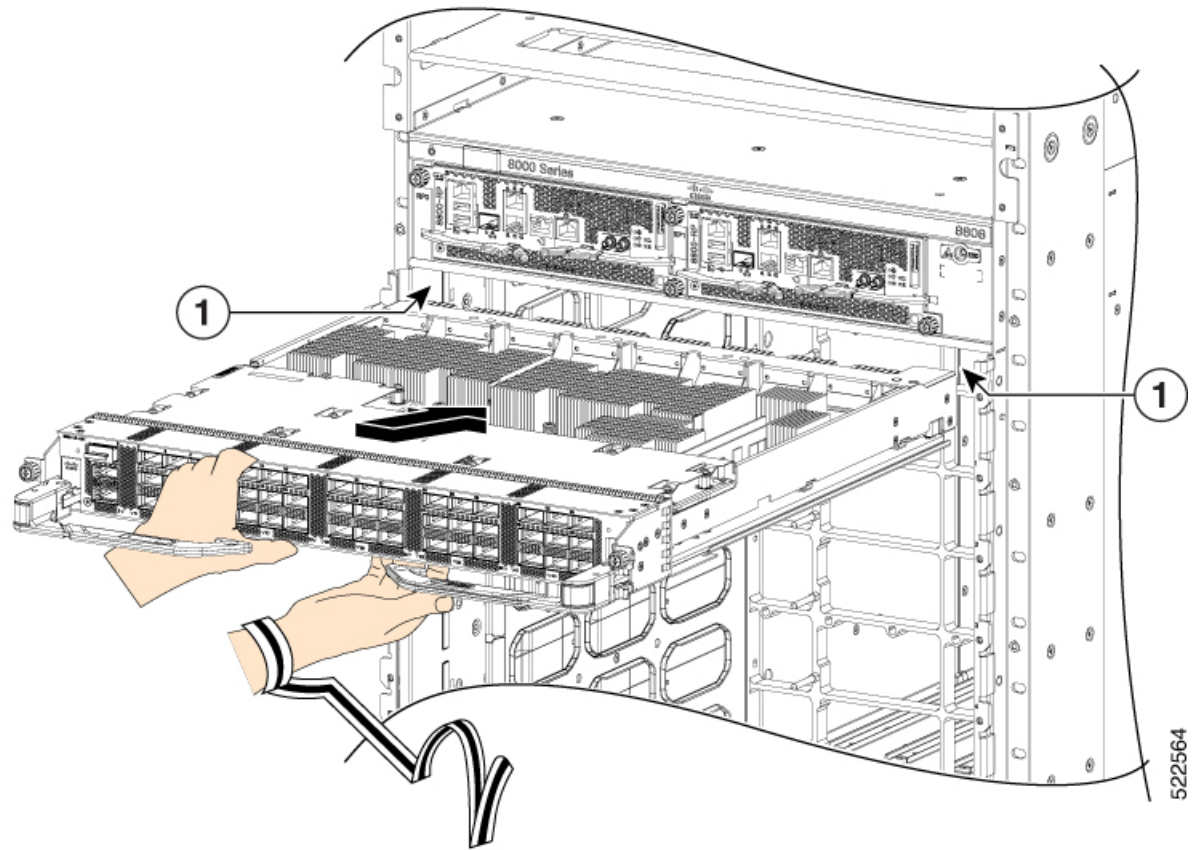


Step 3

To install the line card, follow these steps:

- a) Hold the front of the line card with one hand and place your other hand under the line card to support its weight.
- b) Align the back of the line card to the guides in the open line card slot and slide the line card all the way into the slot (see the following figure).

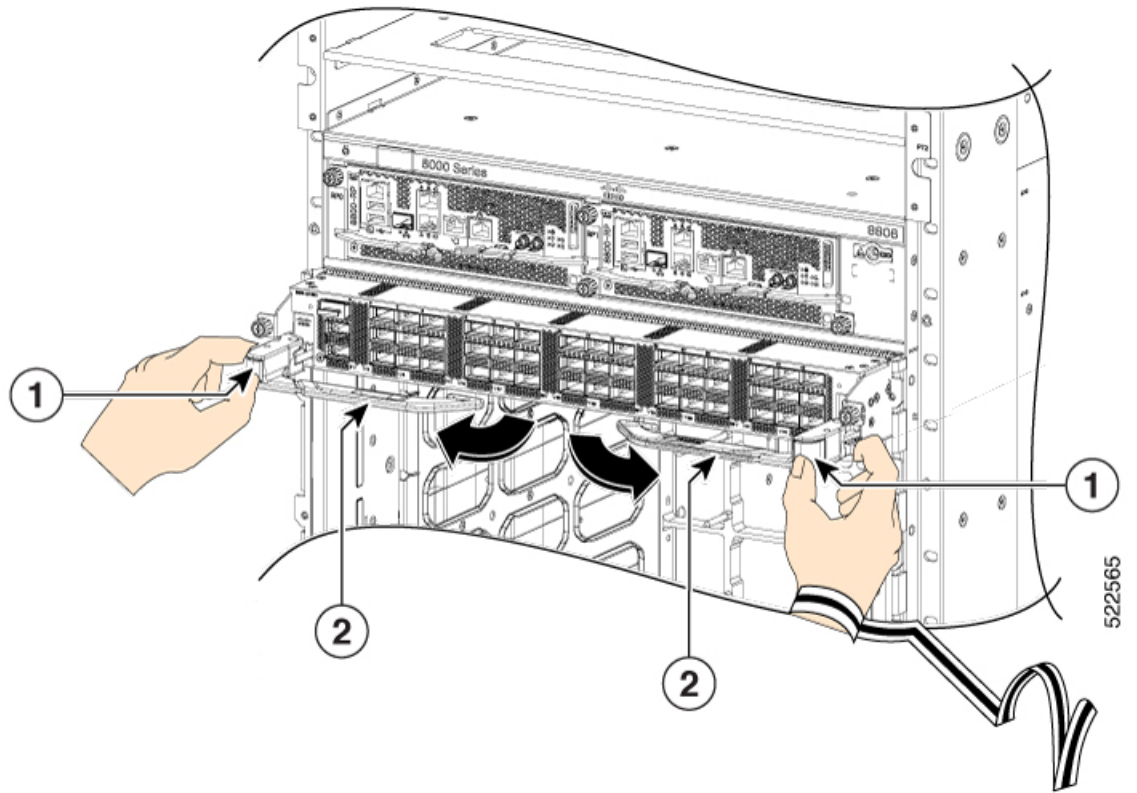
Figure 87: Insert a Line Card into the Chassis



1	Guides (line card slot)
---	-------------------------

The line card stops when its front is about 0.25 inches (0.6 cm) outside the front of the chassis. Press the ejector buttons, and the two levers move partway from the center of the line card in the direction as shown in the image.

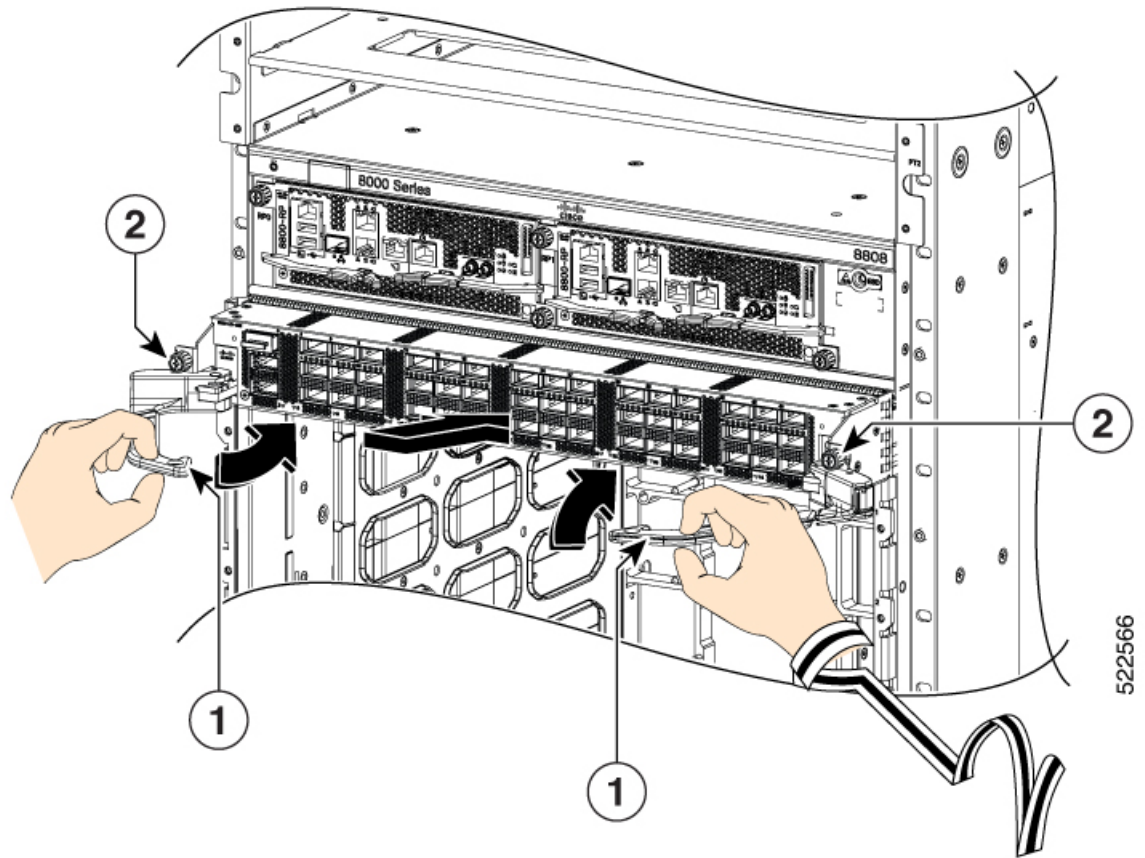
Figure 88: Press the Ejector Buttons



1	Ejector buttons	2	Ejector levers
---	-----------------	---	----------------

- c) Close the ejectors by rotating the ends of the two levers toward the center of the chassis.

Figure 89: Close the Ejector Levers



1	Ejector levers	2	Captive screws
---	----------------	---	----------------

Note As you rotate the levers, the front of the line card moves all the way to the front of the chassis and the line card fully seats on the chassis.

- d) Tighten the two captive screws to 8 in-lb (0.9 Nm) torque.

Note When installing a line card, fully tighten both captive installation screws to ensure that the card is correctly seated in the router. A card that is only partially seated in the router might not operate properly, even if it boots.

- e) Attach each interface cable to the appropriate port on the line card. Use the label on each cable to determine which port each cable attaches to.
- f) Verify that the line card LEDs turn on and appear green.

Replace or Install a Line Card - Ejector Levers with Latches



Warning **Statement 1029**—Blank Faceplates and Cover Panels

Blank faceplates and cover panels serve three important functions: they prevent exposure to hazardous voltages and currents inside the chassis; they contain electromagnetic interference (EMI) that might disrupt other equipment; and they direct the flow of cooling air through the chassis. Do not operate the system unless all cards, faceplates, front covers, and rear covers are in place.



Warning **Statement 1034**—Backplane Voltage

Hazardous voltage or energy is present on the backplane when the system is operating. Use caution when servicing



Warning **Statement 1051**—Laser Radiation

Invisible laser radiation may be emitted from disconnected fibers or connectors. Do not stare into beams or view directly with optical instruments.



Caution

Line cards have two ejector levers to release the card from the router. Use these levers to remove the line card and to seat the line card firmly in the router when you are installing the line card. The ejector levers align and seat the card connectors in the router. To avoid damaging card mechanical components, never carry a line card by the captive installation screws or ejector levers. Doing so can damage these components and cause card insertion problems.



Note

Opening the ejector levers of an installed line card causes the line card to shut down even when the captive screws are screwed in. To reboot the line card, users must do one of the following:

- Remove and reinsert the line card and close the ejector levers.
 - Close the ejector levers and reload the card using the **reload location** `<rack>/<line-card-slot>` **force** command.
-

Procedure

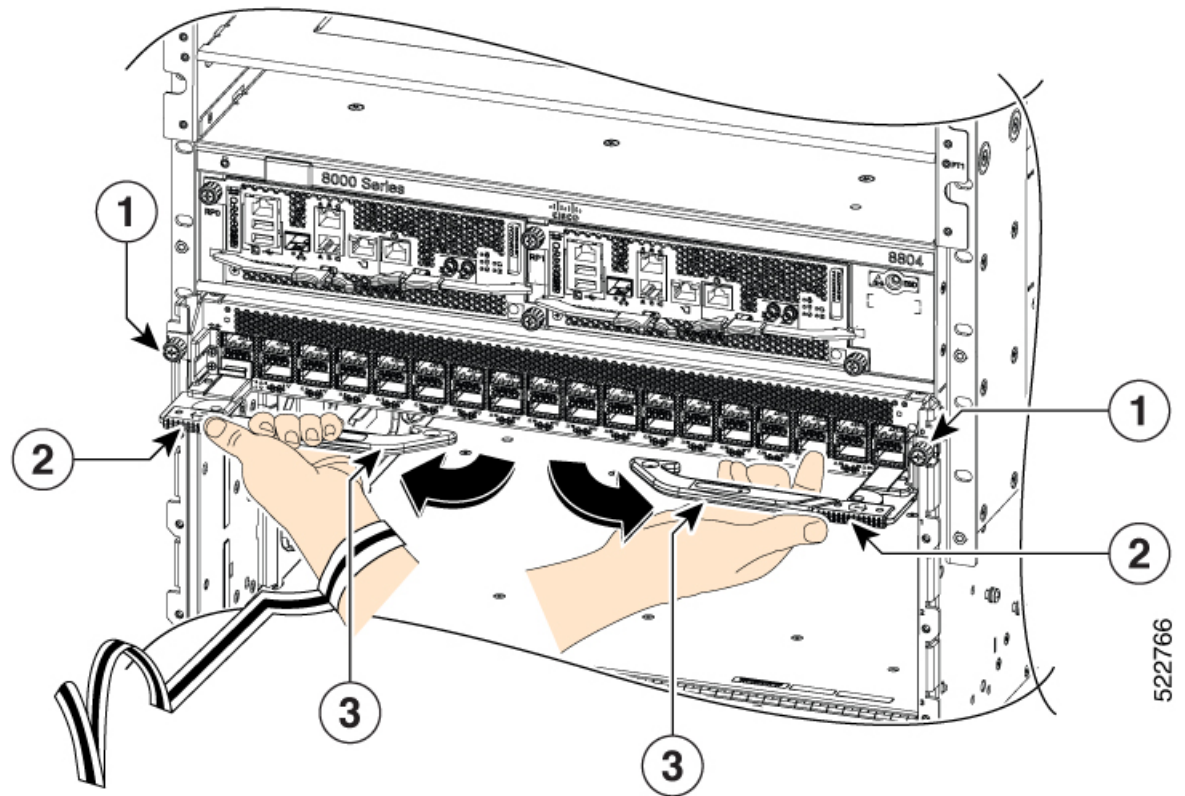
- Step 1** Open the packaging for the new line card and inspect the line card for damage.
If the line card is damaged, contact the Technical Assistance Center (TAC).
- Step 2** If you are replacing a line card that is currently in the chassis, remove the existing line card from the chassis by following these steps:

- a) Run the **shutdown location 0/ location/CPU0** command, which gracefully shuts down the line card.
- b) Verify that the Line Card LED for the slot that you specified turns off. Also, you can use the **show platform** command to verify that the status of the card is SHUT DOWN.
- c) Disconnect and label each of the interface cables from the line card.
- d) Loosen the two captive screws.

Note You must loosen the two captive screws completely before using the ejector levers to remove the line card. Failure to loosen the captive screws can cause damage to the ejector levers.

- e) Slide the ejector lever latches outward and pull the two ejector levers in the direction as shown in the image below.

Figure 90: Slide the Ejector Lever Latches

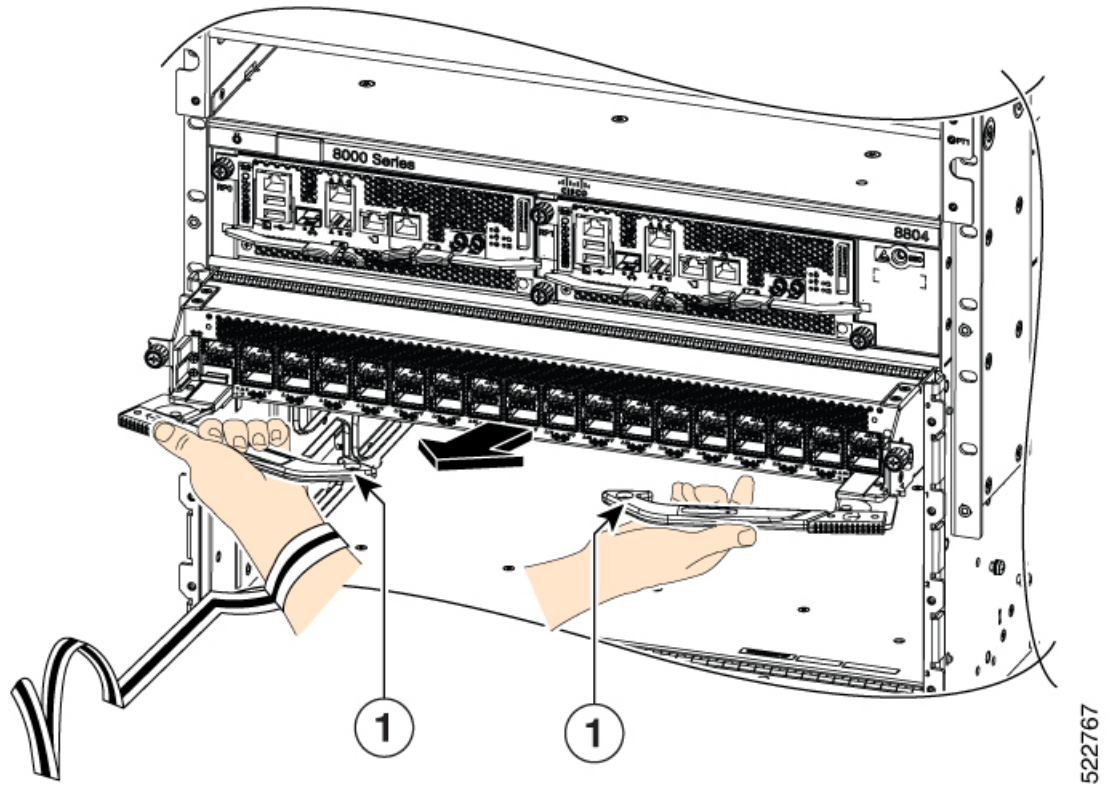


522766

1	Captive screws	3	Ejector levers
2	Ejector lever latches		

- f) Use the ejector levers to pull the line card a couple of inches (about 5 cm) from the chassis.

Figure 91: Pull the Line Card from the Chassis

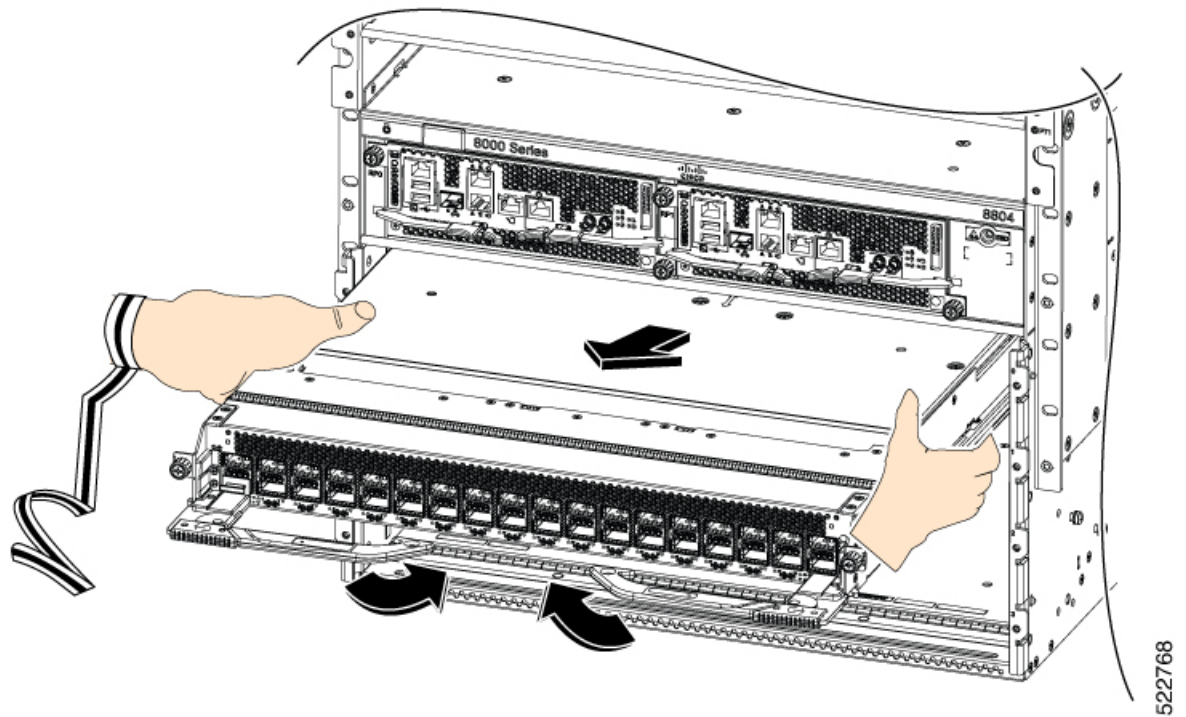


522767

1	Ejector levers
---	----------------

- g) Close the ejector levers. The ejector lever latches will lock the ejector levers closed.
- h) Place your hands on the sides of the line card, pull it out of the chassis, and set it on an antistatic surface or inside an antistatic bag.

Figure 92: Remove the Line Card from the Chassis

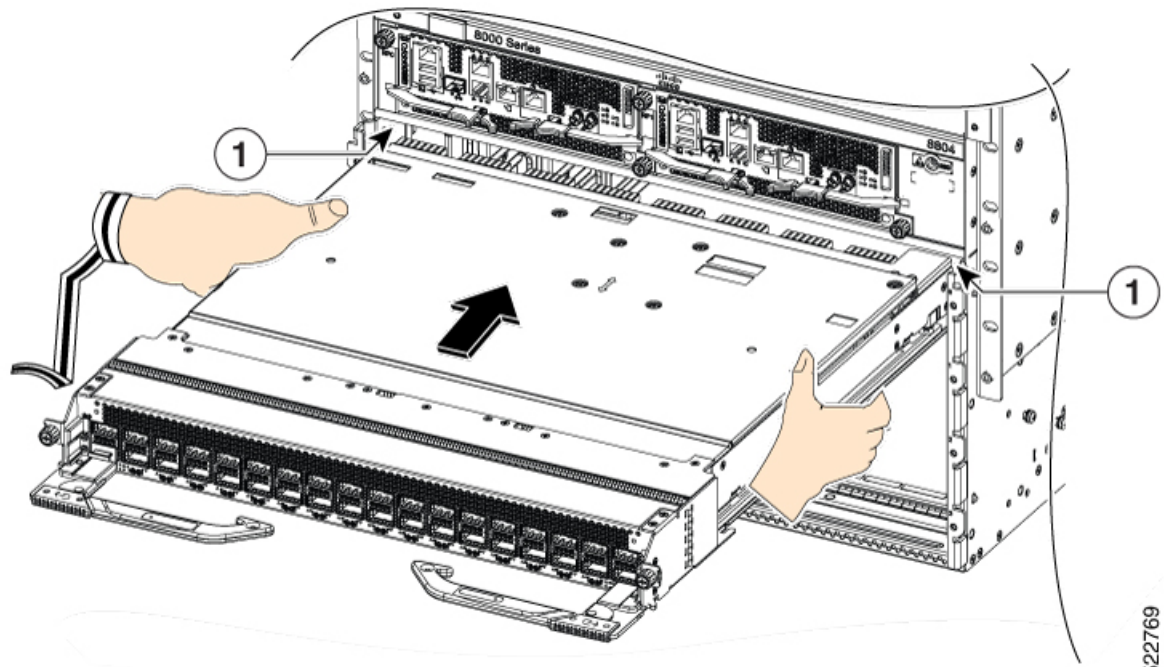


Step 3

To install the line card, follow these steps:

- Hold the sides of the line card with both hands to support its weight.
- Align the back of the line card to the guides in the open line card slot and slide the line card all the way into the slot (see the following figure).

Figure 93: Insert a Line Card into the Chassis



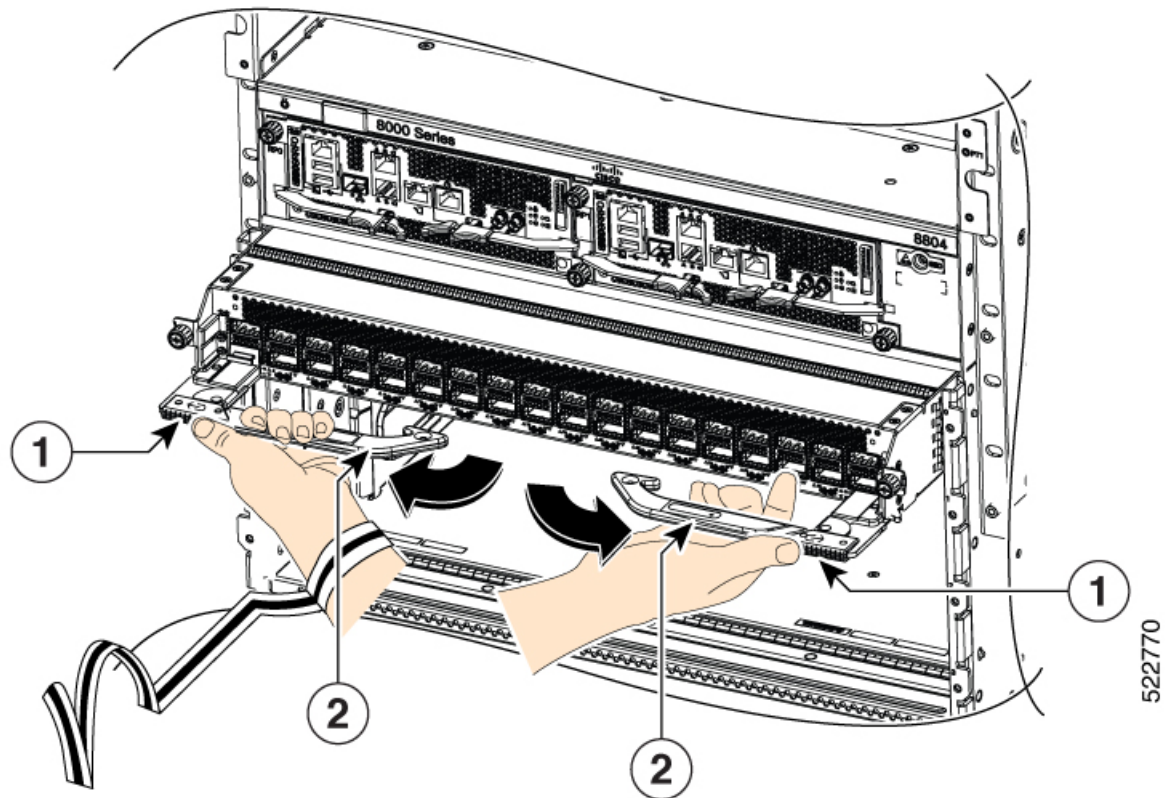
522769

1	Guides (line card slot)
---	-------------------------

The line card stops when its front is about 0.25 inches (0.6 cm) outside the front of the chassis.

- c) Slide the ejector lever latches to unlock the ejector levers and open the ejector levers outward as shown in the image.

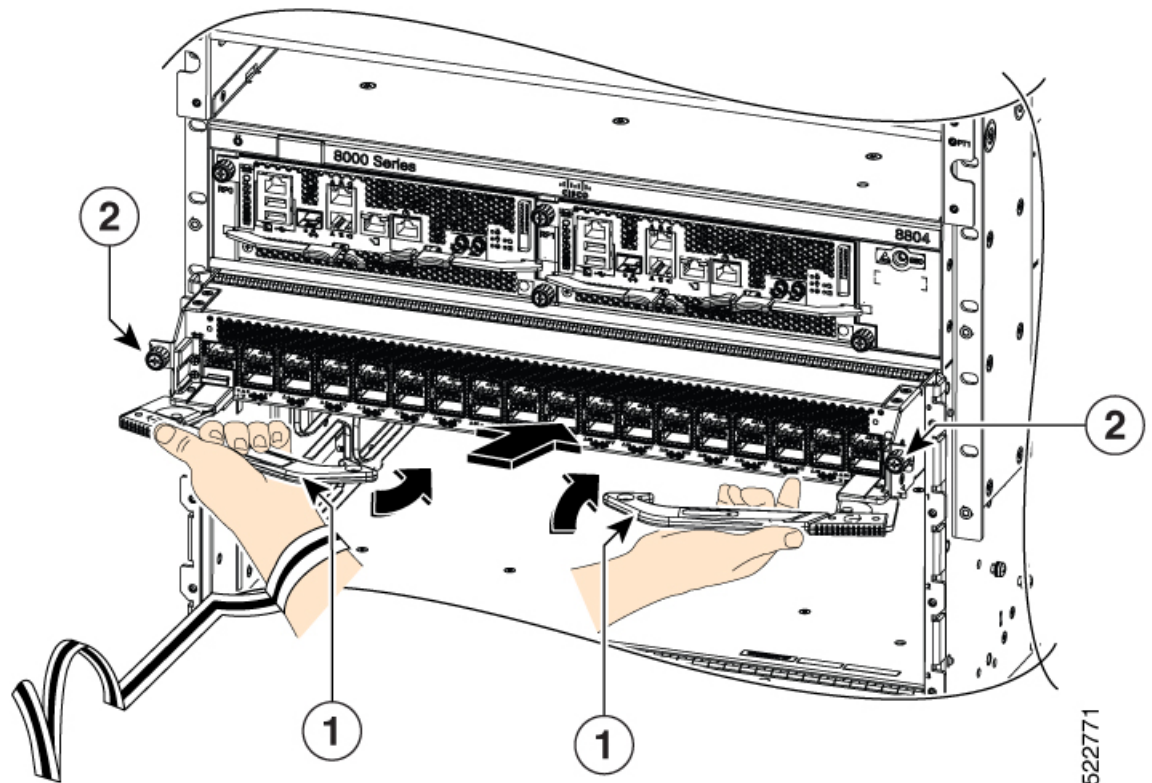
Figure 94: Unlock the Ejector Levers



1	Ejector lever latches	2	Ejector levers
---	-----------------------	---	----------------

- d) Slide the line card further into the slot until the ejector levers engage with the sides of the line card slot.
- e) Close the ejectors by rotating the ends of the two levers toward the center of the chassis.

Figure 95: Close the Ejector Levers



1	Ejector levers	2	Captive screws
---	----------------	---	----------------

Note As you rotate the levers, the front of the line card moves all the way to the front of the chassis and the line card fully seats on the chassis.

- f) Tighten the two captive screws to 8 in-lb (0.9 Nm) torque.

Note When installing a line card, fully tighten both captive installation screws to ensure that the card is correctly seated in the router. A card that is only partially seated in the router might not operate properly, even if it boots.

- g) Attach each interface cable to the appropriate port on the line card. Use the label on each cable to determine which port each cable attaches to.
- h) Verify that the line card LEDs turn on and appear green.

Replace a Fan Tray

You can remove a fan tray (8818-FAN, 8812-FAN, 8808-FAN, or 8804-FAN) to either replace it with another fan tray or to replace a fabric card located behind it.

The router uses four fan trays but it can operate with three fan trays while you replace one or remove one to replace one of the fabric cards behind the fan tray. When you remove one fan tray, the other fan trays speed up their fans to maintain the designed airflow.



Note To ensure adequate airflow and prevent overheating, do not operate the router with three fan trays for more than 10 minutes.



Caution Never remove two fan trays at a time during operation, the router allows up to two minutes of operations before shutting down unless you replace the missing fan tray within that time. If the router senses an over temperature condition when multiple fan trays are removed, the shutdown can occur in less than two minutes.

To replace a fan tray, you must perform the following functions:

1. Remove the fan tray.
2. Install a fan tray.

Remove Fan Tray

Remove only one fan tray at a time during router operations. If you remove more than one fan tray at a time, the router shuts down within two minutes unless you replace the extra fan trays that you removed within that time.

Procedure

- Step 1** Unscrew the four captive screws on the front of the fan tray until each screw is free of the chassis.
- Step 2** Hold both handles on the front of the fan tray with both of your hands and pull the fan tray out of the slot.
- Step 3** Set the fan tray on antistatic material or inside an antistatic bag.
-

Install Fan Tray

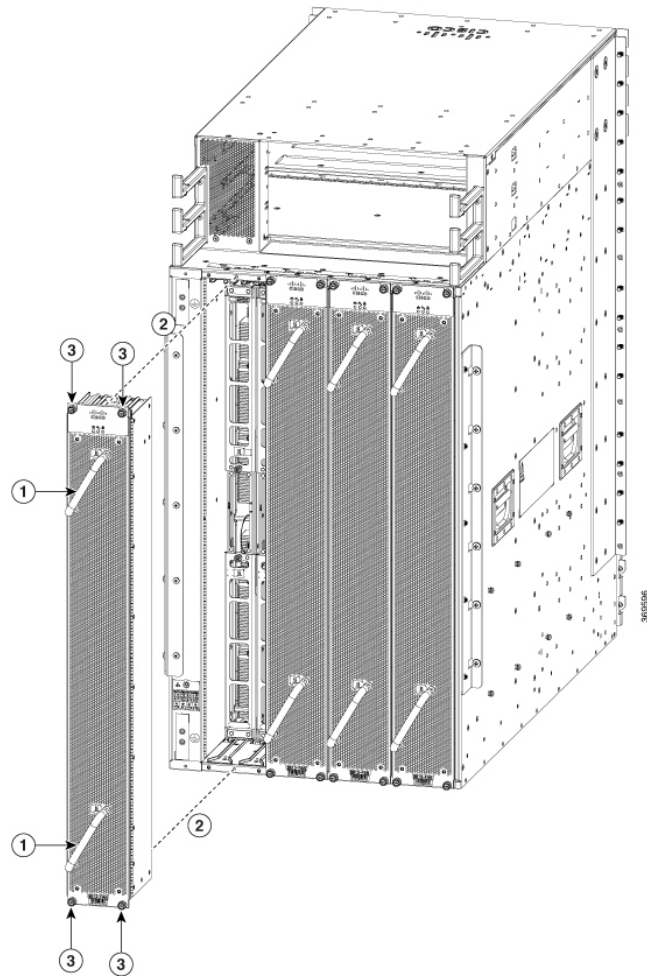
Before you begin

- Fan tray slot is open in the chassis.
- If you are replacing a fabric card behind the open fan tray slot, ensure that the fabric card replacement operation is completed.

Procedure

- Step 1** Use both of your hands to hold the two handles on the front of the fan tray that you are installing.

Figure 96: Remove Fan Tray from the Chassis



1	Handle	3	Captive screws
2	Align fan tray in position		

- Step 2** Position the fan tray with its rear (the side with the electrical connectors) at the opening for the fan tray slot in the chassis.
- Step 3** Align the two tracks on the top of the fan tray with the two sets of rails at the top of the open fan tray slot in the chassis.
- Step 4** Slide the fan tray all the way into the slot until the front of the fan tray touches the chassis.
Make sure that the four captive screws on the front of the fan tray align with the four screw holes in the chassis.
- Step 5** Screw in the four captive screws to secure the fan tray to the chassis. Tighten the screws to 8 in-lb (0.9 N·m) of torque.
- Step 6** Verify that the fan tray STATUS LED turns on and becomes green, approximately within 20 seconds.

Replace Fabric Card

The router uses either a minimum of four or a maximum of eight fabric cards but you can replace a fabric card while others are operating. To replace a fabric card, you must do each of the following:

- Shut down the fabric card being replaced.
- Remove the fan tray covering the fabric card in the chassis.



Note To ensure adequate airflow and prevent overheating, do not operate the router with three fan trays for more than 10 minutes.

- Remove the fabric card.
- Install the new fabric card.



Note We recommend that you insert the fabric cards in the sequence starting with FC0, FC1, and so on (from left to right). Use the adjacent card as a guide to retain the cards in vertical position.

- Reinstall the fan tray over the fabric card.
- Activate the fabric card.

The Cisco 8800 series routers support OIR of fabric card.

To maintain the designed airflow while you remove the fan tray, the fans in the other fan trays increase their speed. During operations, it is required that you remove only one fan tray at a time and reinstall that fan tray within 10 minutes to avoid the possibility of having the router overheat and shut down. If you remove more than one fan tray at a time, the router shuts down if you do not reinstall the extra missing fan trays within two minutes (the shutdown can occur earlier if the router overheats).



Note If the router is using only five fabric cards (5fc mode), the fabric cards must be inserted in FC slots 1, 2, 3, 4, and 5.

Remove a Fabric Card

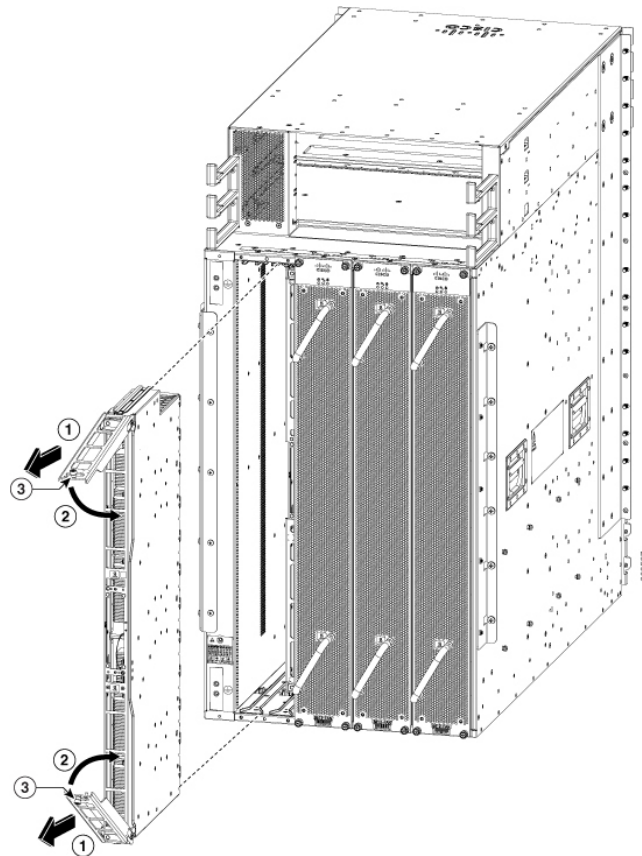
Before you begin

- You must wear an electrostatic discharge (ESD) wrist strap or other ESD protective device while handling modules.
- Prepare an antistatic surface or packing materials for each module that you remove from the chassis.

Procedure

- Step 1** If you are replacing a fabric card, open the packaging for the new module and inspect it for damage. If the module is damaged, alert the Technical Assistance Center (TAC) and stop this replacement process until you have an undamaged module to install.
- Step 2** To prevent loss of packets during operations, shut down the fabric card as follows:
- Shut the fabric control plane using the **controller fabric plane <plane-id> shutdown** command.
There are eight planes and the value of the <plane-id> is between 0–7.
When you are replacing the card, shut down the corresponding fabric plane of the card. For example, when you are replacing the card in slot 0 (0/FC0), shut down fabric plane 0.
 - Run the **shutdown location 0/FClocation** command.
 - Verify that the Fabric LED for the slot that you specified turns off. Also, you can use the **show platform** command to verify that the status of the card is SHUT DOWN.
- Step 3** Remove the fan tray covering the fabric card in the chassis.
Refer the fan tray removal procedure: [Replace a Fan Tray, on page 133](#)
- Step 4** Remove the fabric card that you are replacing by following these steps:
- Unscrew the two captive screws on the center of each of the two handles on the fabric card (see Callout 1 in the following figure).
 - Rotate the handles outwards until they stop (see Callout 2 in the following figure).
 - With each of the two handles in your two hands, pull the module a couple of inches (about 5 cm) out of the slot (see the following figure).

Figure 97: Removing a Fabric Card from the Chassis



1	Pull on both handles to partially remove the fabric card from the chassis	3	Two captive screws (one on each handle)
2	Rotate both ejector handles to the front of the module		

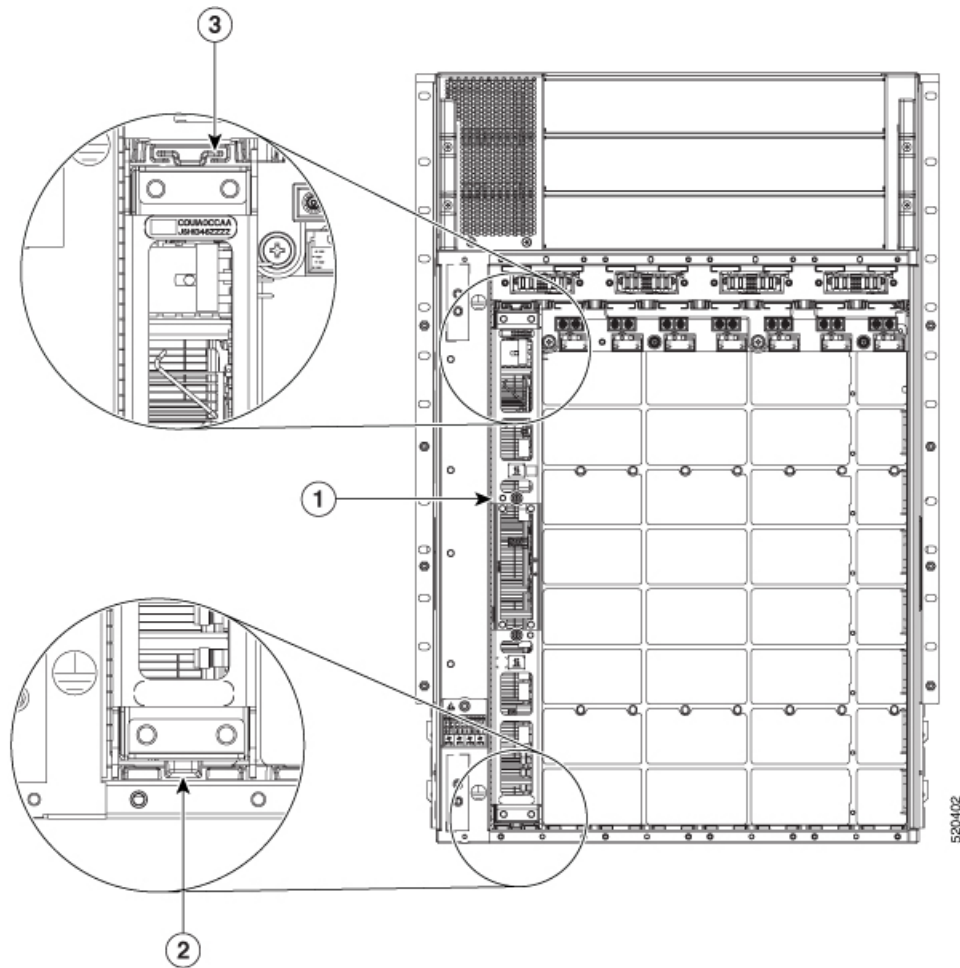
- d) Place one hand under the fabric card to support its weight, place your other hand on the front of the module, and slide the module out of the slot.
- e) Rotate both handles back to the front of the module until they are in place. Fasten each handle to the module using the captive screw on the back of the handle. Tighten the screw to 8 in-lb (0.9 N·m) of torque.
- f) Rotate the module 90 degrees and lay it flat on an antistatic surface or in an antistatic bag.

Install a Fabric Card

Procedure

- Step 1** Unscrew the two captive screws (one on each ejector handle) and rotate the ejector handles at least 30 degrees. Ensure that the locking posts on the top and bottom of the chassis rotate into the module so that the module can slide fully into the slot.
 - Step 2** Place one hand on the front of the module and turn the module 90 degrees so that the electrical connectors are on the bottom.
 - Step 3** Align the guide bar on the bottom of the fabric card into the guide slot at the bottom of the fabric card slot, and make sure that the guide rails on the top of the fabric card align with the track on the top of the slot.
- Note** The lower guide rail extends to the back of the chassis. The upper guide rail does not connect until the card is halfway into the chassis.

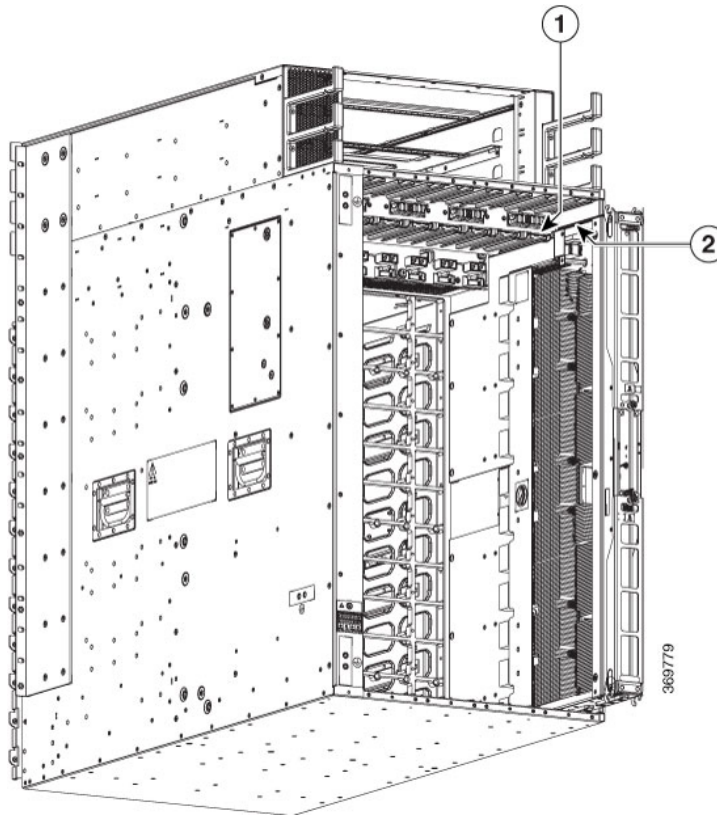
Figure 98: Install Fabric Card



1	Always install the fabric card in a vertical position
---	---

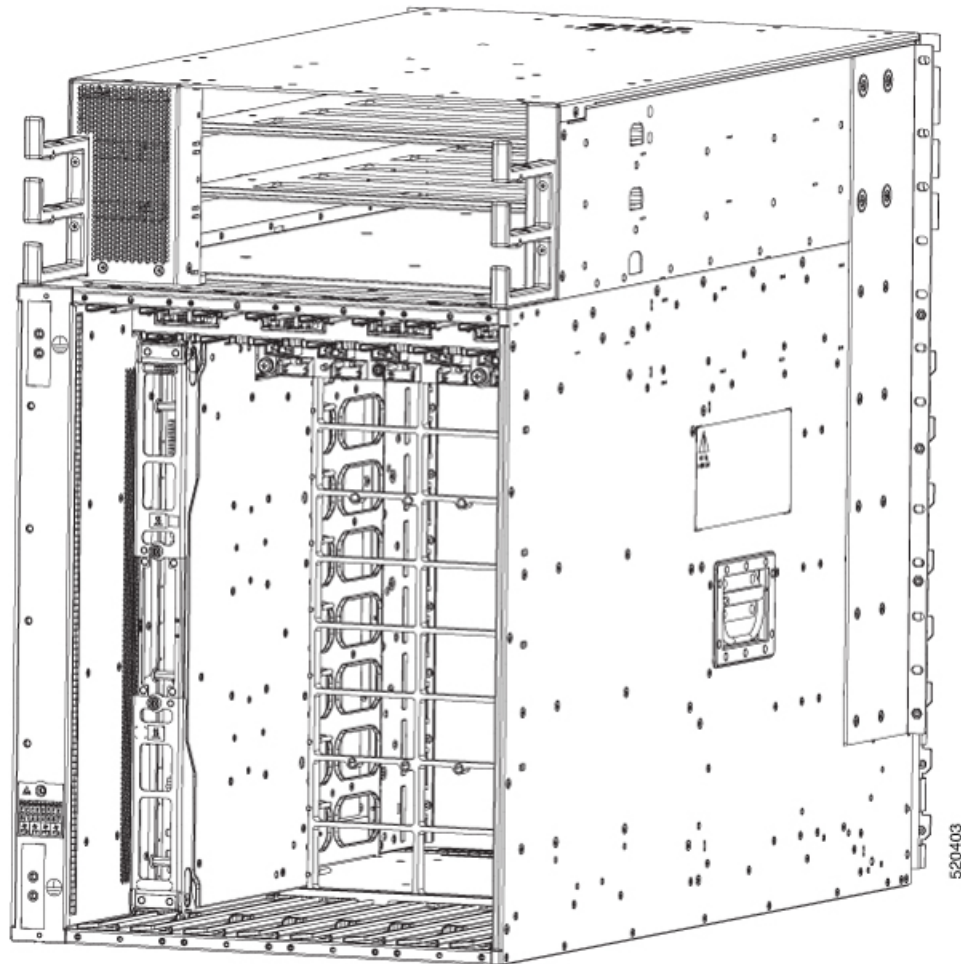
2	Guide bar and guide slot
3	Guide rail and track

Figure 99: Installing a Fabric Card



1	Chassis top fabric card guide rail.	2	Insert fabric card top guide rail into chassis top fabric card guide rail.
---	-------------------------------------	---	--

Figure 100: Fabric Card installed in a Chassis



- Step 4** Slide the module all the way into the slot.
- Step 5** Rotate both ejector levers to 90 degrees to the front of the chassis and be sure that the module is locked to the top and bottom of the slot.
- Step 6** Tighten the captive screw on each of the two levers to 8 in-lb (0.9 N-m) of torque, so that each lever is locked in place on the module.
- Step 7** Verify the fabric card LEDs become green.
- Step 8** Reinstall the fan tray over the fabric card.
Refer the installing the fan tray procedure: [Install Fan Tray, on page 134](#)
- Step 9** Run the **reload location 0/location/CPU0** command.
- Step 10** Wait for the fabric card to become operational. Use the **show platform | inc FC** command to verify the status.
- Note** The fabric card must be operational before resetting the fabric plane.
- Step 11** Reset the fabric control plane using the **no controller fabric plane <plane-id> shutdown** command
- Step 12** Verify that the Fabric LED for the slot that you specified turns on. Also, you can verify that the card is in power on state by running the **show platform** command to verify the status of the card to be POWERED_ON.

Since the Fan trays are blocking the view, Fabric card LEDs might not be visible. Therefore, you can verify the Fabric card LEDs status using **show led location 0/FClocation** command.

Replace Power Supply Components

The Cisco 8800 series routers support OIR of power modules. If you are replacing a redundant power module, you can replace the power module while the system remains powered on without any electrical hazard or damage to the system. This feature enables you to replace a power module while the system maintains all routing information and ensures session preservation.

However, to maintain operational redundancy and proper cooling, and to meet EMI compliance standards, you must have at least one working redundant power module that is installed. When you remove a failed power module with the router in operation, perform the replacement as quickly as possible. Make sure you have the replacement power module ready before beginning the removal and installation procedure.



Note For the RP to communicate properly to a power module in a power tray, input power to at least one of the power modules in the power tray should be present.

This section contains procedures on how to replace the power modules.



Caution Do not turn off the switch on the power tray to remove individual power modules. Power modules support OIR, so they can be removed and replaced with the power on and the system operating.

Install Power Shelf Bezel

Follow these steps to install a power shelf bezel on a chassis:

Procedure

Place the power supply bezel as shown in the below figure and secure it with the provided jackscrews.

Figure 101: Power Supply Bezel for 8818 Chassis

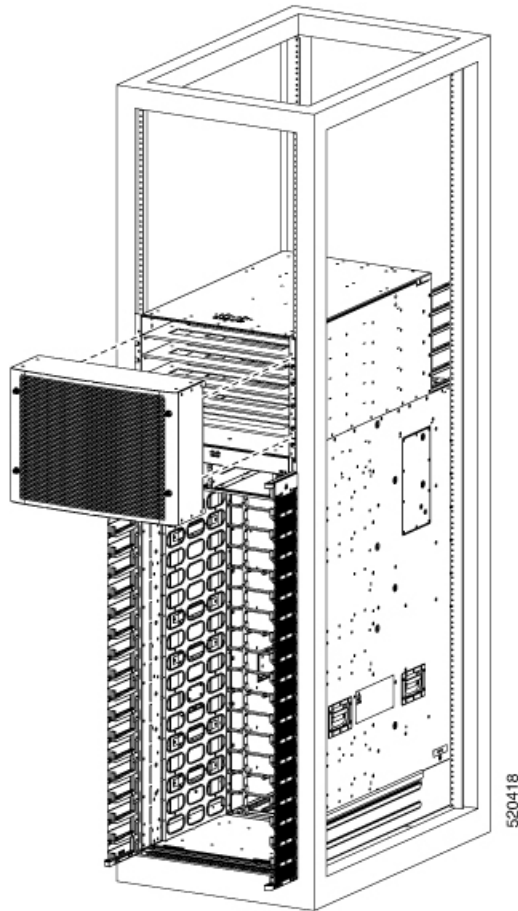


Figure 102: Power Supply Bezel for 8812 Chassis

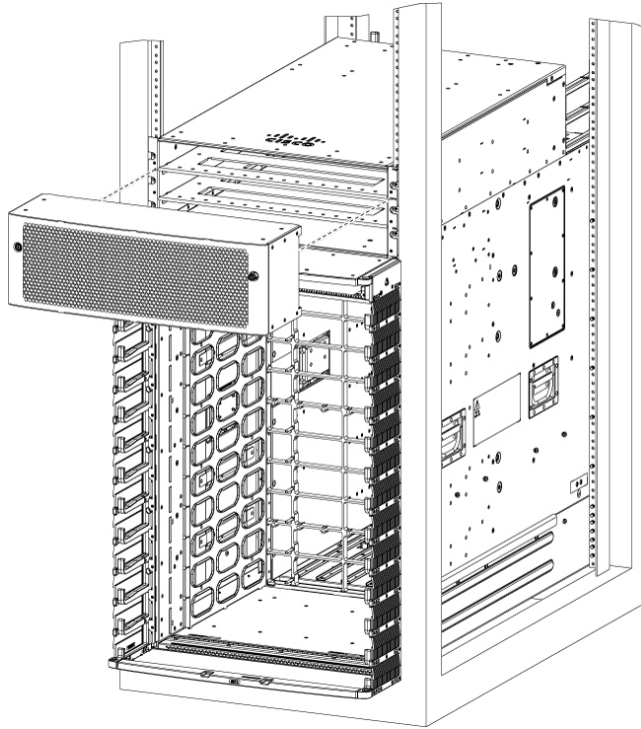


Figure 103: Power Supply Bezel for 8808 Chassis

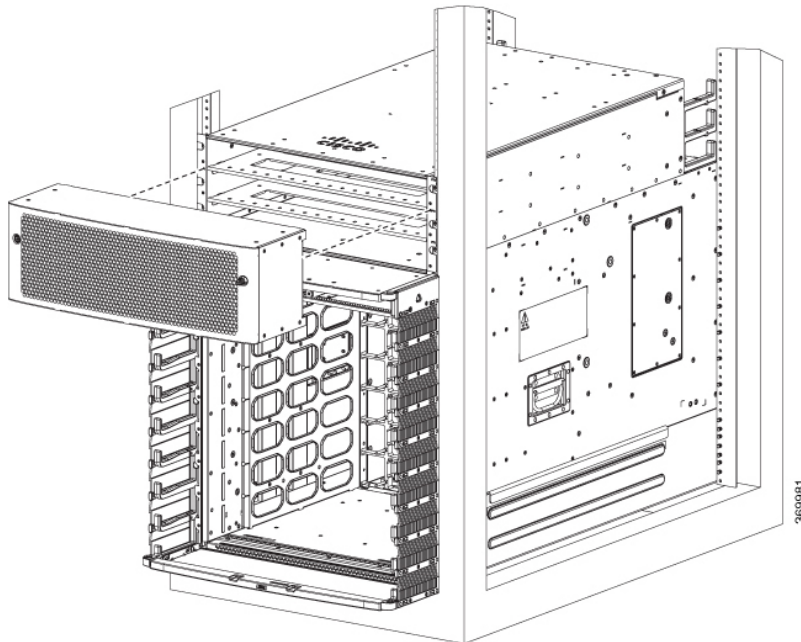
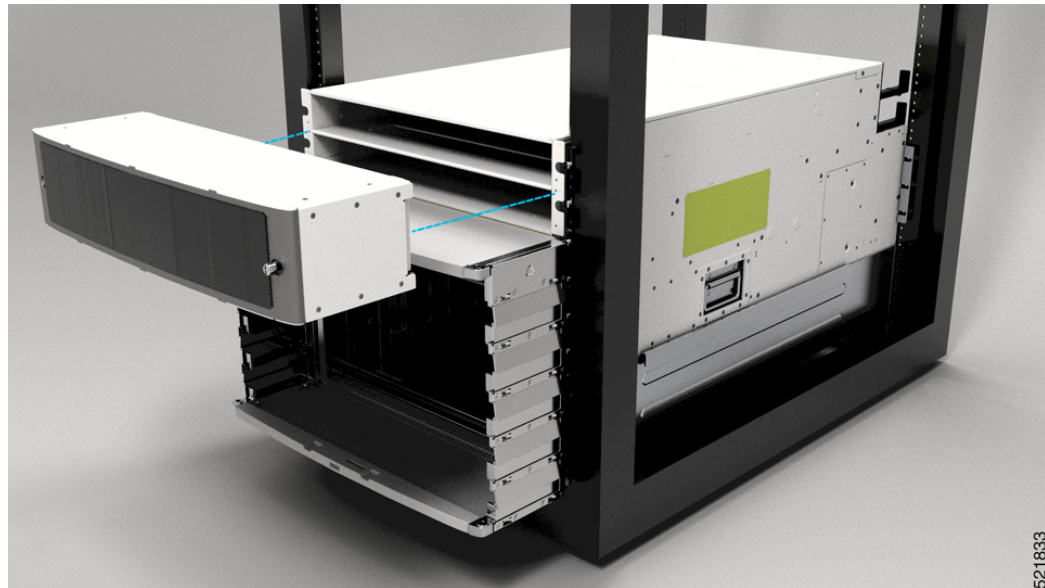


Figure 104: Power Supply Bezel for 8804 Chassis



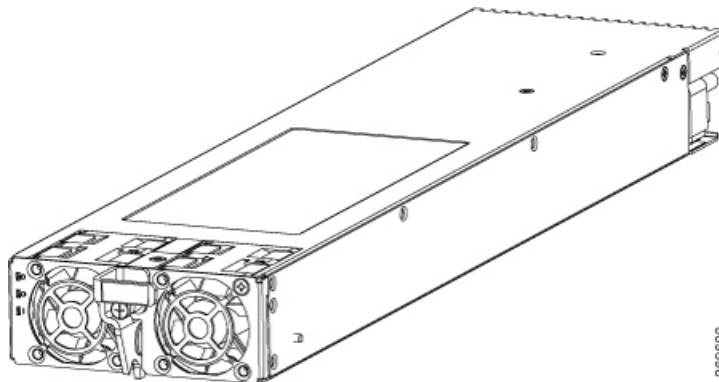
Replace DC Power Module

Follow these steps to remove a DC power module from the chassis.

Procedure

- Step 1** Pull the handle down.
- Step 2** Unscrew the screw that secures the power module using a Phillips screw driver.
- Step 3** Slide the power module out of its bay while supporting it with your other hand to remove it.

Figure 105: DC Power Module



- Step 4** Slide the new power module into the bay until it mates with its backplane connector.

- Step 5** Move the handle up.
- Step 6** Tighten the screw that secures the power module using a Phillips screw driver.
- Caution** To prevent damage to the power tray backplane connector, do not use excessive force when inserting the power module into the power tray.
- Step 7** Verify that the (green) Power Input indicator on the front of the power module goes on.
-

Disconnect DC Power

Procedure

- Step 1** Power off the circuit breaker assigned to the DC power source you are disconnecting.
- Caution** To ensure that power remains off while you are performing this procedure, lock-out/tag-out the circuit breaker switch in the STANDBY (0) position until you are ready to turn it on.
- Step 2** Remove the clear plastic safety covers that fit over the DC power connection terminal studs.
- Caution** To prevent injury and damage to the equipment, always remove the source DC power cables and ground from the power tray terminals *in the following order* : (1) negative (-), (2) positive (+).
- Step 3** Disconnect the DC power cables from their terminals in the following order and note the color of each cable.
- Negative (PWR) cables first.
 - Positive (RTN) cables last.
- Step 4** Repeat Step 1 through Step 3 for the other power tray, if installed.
- Caution** It is not necessary to disconnect all power from the router to replace components, including power modules.
-

Reconnect DC Power

Follow these steps to reconnect DC power to a DC power tray:

Procedure

- Step 1** Set the power switch to the OFF (0) position.
- Step 2** Check that the circuit breaker assigned to the DC power source you are reconnecting is powered OFF (0).
- Step 3** Reconnect the DC power cables in the following order.
- Positive (RTN) cables first.
 - Negative (PWR) cable last.
 - Repeat Step 1 through Step 3 for the other power trays.

Caution To prevent injury and damage to the equipment, always attach the ground and source DC power cable lugs to the power tray terminals in the following order: (1) positive (+) to positive (+), (2) negative (–) to negative (–).

Caution Do not overtighten the nuts that secure the DC power cables to the power tray terminals. The nuts should be tightened using the 7/16 hex socket and torque wrench to a torque of 45–50 in-lb.

Step 4 Replace the clear plastic safety covers over the DC power connection terminal studs and tighten the screws.

Step 5 Set the DC power source circuit breaker to ON (1).

Step 6 Set the power tray switch to ON (1).

Caution Use this procedure only when reconnecting power to all power modules in a system that is powered down completely.

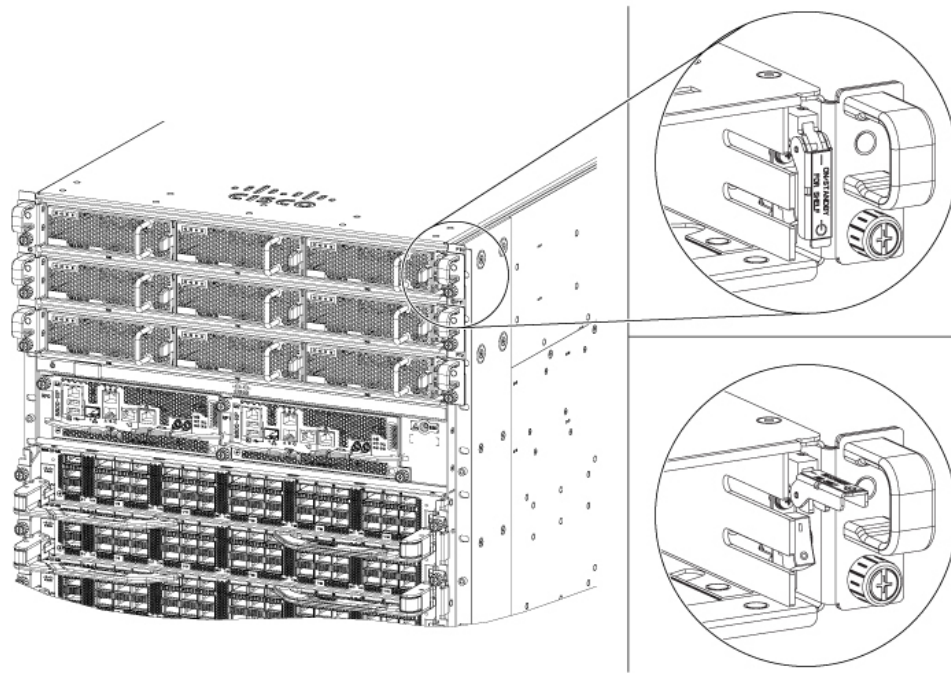
Replace HVAC and HVDC Power Module

Follow these steps to remove HVAC and HVDC power modules from the chassis.

Procedure

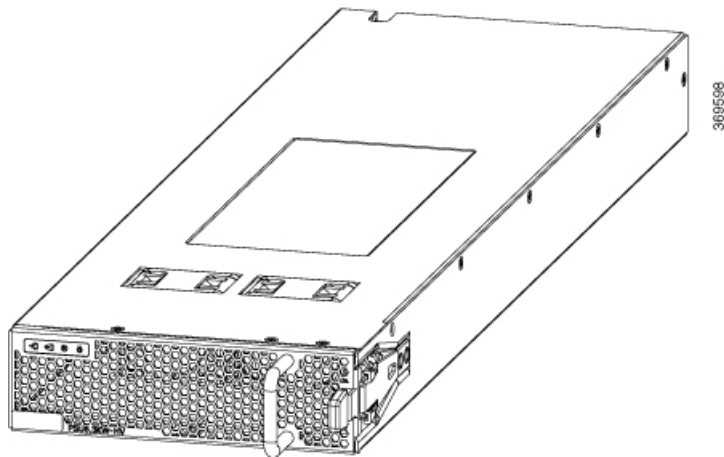
Step 1 Do not Power OFF (0) the standby mode switch.

Figure 106: HV Power Tray Standby Mode Switch



Step 2 Slide the power module out of its bay while supporting it with your other hand to remove it.

Figure 107: HV Power Supply



Step 3 Slide the new power module into the bay until it mates with its connector.

Figure 108: HV Power Supply on Tray

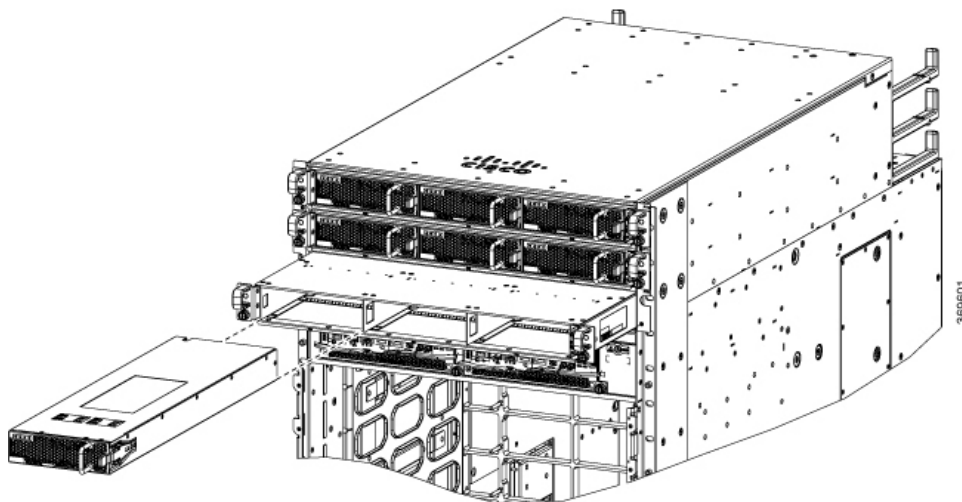
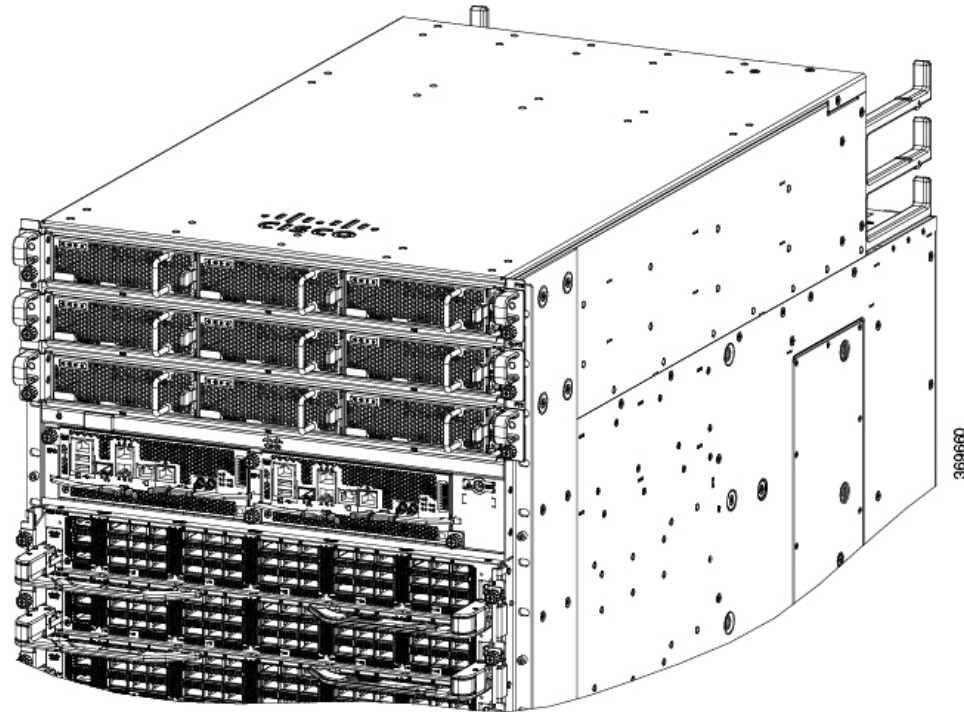


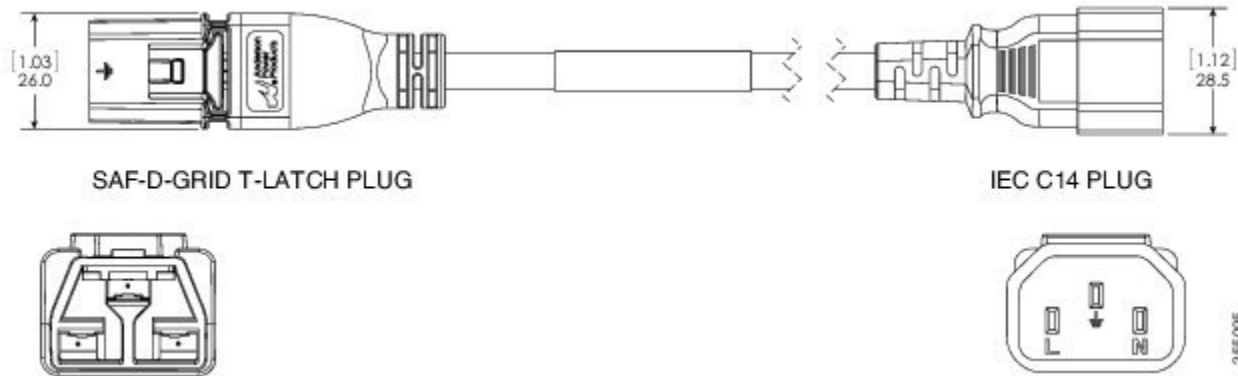
Figure 109: HV Power Supply Trays



Step 4 Verify that the Saf-D-Grid plug is plugged in completely to secure the built-in retaining latch.

Note Saf-D-Grid plug has a retaining latch that must be depressed and gently pulled to release the plug from the receptacle.

Figure 110: SAF-D-Grid Plug



Step 5 Verify that the (green) power indicator on the front of the power module goes on.

