



Raritan Secure Switch User Guide

Copyright © 2022 Raritan
SecureSwitch-0B-v1.1-E
August 2022
Release 1.1

Contents

Attention	4
Introduction	5
Overview.....	5
Features.....	6
Product Photos.....	7
Package Contents.....	8
Configuration Requirements.....	8
User Console Connection.....	8
Connected Computers or Servers.....	9
Operating Systems.....	9
Secure Switch Ports and Connectors.....	10
Hardware Setup	14
Before You Begin.....	14
Tampering Prevention and Detection.....	14
Using Qualified Peripheral Devices Only.....	14
Supported Card Readers.....	15
Secure Installation Guidelines.....	16
Secure Operation and Administration.....	16
Stacking.....	16
Installation Procedure.....	17
Operation	19
Power ON.....	19
Manual Switching.....	19
Port ID Numbering.....	20
LED Indicators.....	20
Chassis Intrusion Detection.....	21
Specifications	22
Secure Switch HDMI Models with CAC.....	22
Secure Switch DisplayPort Models with CAC.....	23
Supported Protocols for Connection Ports	25
Protocols for Console Ports.....	25
Protocols for KVM Ports.....	25

This document contains proprietary information that is protected by copyright. All rights reserved. No part of this document may be photocopied, reproduced, or translated into another language without the express prior written consent of Raritan, Inc.

© Copyright 2022 Raritan, Inc. All third-party software and hardware mentioned in this document are registered trademarks or trademarks of and are the property of their respective holders.

FCC Information

This equipment has been tested and found to comply with the limits for a Class A digital device, pursuant to Part 15 of the FCC Rules. These limits are designed to provide reasonable protection against harmful interference in a commercial installation. This equipment generates, uses, and can radiate radio frequency energy and if not installed and used in accordance with the instructions, may cause harmful interference to radio communications. Operation of this equipment in a residential environment may cause harmful interference.

VCCI Information (Japan)

この装置は、クラスA情報技術装置です。この装置を家庭環境で使用すると電波妨害を引き起こすことがあります。この場合には使用者が適切な対策を講ずるよう要求されることがあります。 VCCI-A

Raritan is not responsible for damage to this product resulting from accident, disaster, misuse, abuse, non-Raritan modification of the product, or other events outside of Raritan's reasonable control or not arising under normal operating conditions.

If a power cable is included with this product, it must be used exclusively for this product.



Attention

Read the following sections before operating the Secure Switch.

► *Important Message:*

The device is equipped with a 3-wire grounding type plug as safety. If you are unable to insert the plug into the outlet, contact your electrician to replace your obsolete outlet.

Do not attempt to defeat the purpose of the grounding-type plug. Always follow your local/national wiring codes.

► *DO NOT use the product in these scenarios:*

When you observe any issues below, *do not* use the product and contact your dealer immediately.

- The tamper-evident seal is missing or peeled. The diagram below indicates the location of the seal.



- All front panel LEDs flash continuously.
- The Secure Switch's enclosure appears breached.

► *Chassis-intrusion-detection security:*

- This Secure Switch is equipped with active always-on chassis intrusion detection. Any attempt to open the enclosure will permanently damage or disable the Secure Switch, and void the warranty.

Introduction

In This Chapter

Overview.....	5
Features.....	6
Product Photos.....	7
Package Contents.....	8
Configuration Requirements.....	8

Overview

Raritan Secure Switch series is NIAP-certified and compliant with NIAP PP 4.0 (Protection Profile for Peripheral Sharing Switch version 4.0) requirements, meeting the latest security requirements set by the U.S. Department of Defense for peripheral sharing switches. Compliance ensures maximum information security while sharing a single set of HID's (keyboards, mice, speakers, and CAC readers) between multiple computers. Conformity with Protection Profile v4.0 certifies that other USB peripherals cannot be connected to the console ports of Secure Switch, and that only a keyboard and a mouse are accommodated, therefore providing high-level security, protection and safe-keeping of data.

The Secure Switch's hardware security includes tamper-evident tape, chassis intrusion detection, and tamper-proof hardware, while software security includes restricted USB connectivity – non HID's (Human Interface Devices) are ignored on port switching. An isolated channel per port makes it impossible for data to be transferred between secure and unsecure computers. In addition, the keyboard and mouse buffer are cleared on port switching.

By combining physical security with controlled USB connectivity and controlled unidirectional data flow from devices to connected computers only, the Secure Switch series gives you the means to consolidate multiple workstations of various security classification levels with one KVM (keyboard, monitor and mouse) console.

Notes:

- The National Information Assurance Partnership (NIAP) is a United States government initiative to meet the security testing needs of IT consumers and manufacturers. It is operated by the National Security Agency (NSA) and the National Institute of Standards and Technology (NIST).
- Raritan Secure Switch series additionally satisfies Protection Profile version 4.0 for Peripheral Sharing Device (PSD).
- USB 1.1 for keyboard, mouse connections, and USB 2.0 for CAC reader connection.

Features

Features	Benefits
2-, 4- or 8-ports Secure Switch with or without CAC feature	Reduce the costs involved in controlling up to 8 computers while offering data isolation between shared peripherals and computers. Note: HDMI Secure KVM supports 2-, 4- or 8-port models.
Superior ultra-high video resolution -- up to 4K UHD	Support the resolution up to 3840 x 2160 @30Hz (4K UHD) with crystal clear image quality. Note: HDMI Secure KVM supports console video output resolutions up to 4K@60Hz. DisplayPort Secure KVM supports console video output resolutions up to 4K@30Hz.
DisplayPort AUX channel filtering (DisplayPort Secure KVM only)	Non-qualified auxiliary channel traffic such as MCCS and EDID write is rejected.
NIAP PP PSS v4.0 certified	Provide the most advanced security features required by the latest Protection Profile (PP) v4.0 for Peripheral Sharing Device (PSD).
Pushbutton / Remote Port Selector (RSS4-WPS) port selection and secure port switching	Port selection via pushbuttons / Remote Port Selector (RSS4-WPS) only to enhance security. Keyboard, Mouse, Video, Audio and CAC reader switch together for secure switching. Note: RSS4-WPS Remote Port Selector is supplied in package and require a separate purchase.
Channel isolation	Isolated channel per port makes it impossible for data to be transferred between computers.
Shared peripherals and computer isolation	The always-on keyboard, mouse, and display EDID emulation ensures isolation between peripherals and connected computers.
Restricted USB connectivity	Non-authorized HID (Human Interface Devices) or non-predefined CAC will be rejected / ignored.
Unidirectional data flow	Secure design enables unidirectional data flow between devices and connected computers.
Support analog audio	Only unidirectional speaker data is allowed preventing the passage of the analogue audio by microphone input or input input. Note: Only analogue speaker data input is supported. Does not support convert digital audio to analogue audio

Features	Benefits
Chassis intrusion detection	If the cover is removed from the Secure Switch or Remote Port Selector (RSS4-WPS), the device becomes inoperable and front panel LEDs flash. <ul style="list-style-type: none"> When this occurs, contact Raritan Technical Support.
Clear keyboard buffer on port switching	Keyboard data buffer is automatically purged when switching between KVM ports.
Tamper-proof hardware	All integrated circuits are soldered directly to the circuit board to prevent tampering with the components.
Tamper-evident tape	Provide a visual indication of any attempt to gain access to the switch's internal components.
Firmware non-reprogrammable	Prevent tampering and attempts to reprogram the switch's firmware.
Metal enclosure	Rugged metal enclosure.

Product Photos

► 4 port HDMI Dual Head Secure Switch with CAC :

Model: RSS4-104-DUAL

- Front View



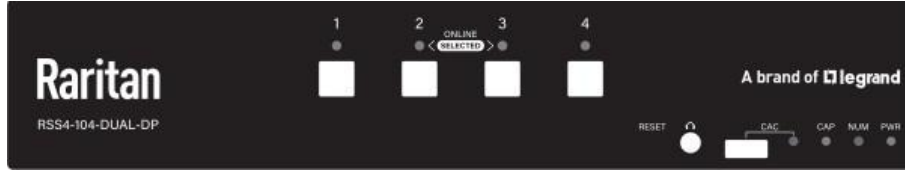
- Rear View



► 4- port DisplayPort Dual Head Secure Switch with CAC:

Model: RSS4-104-DUAL-DP

- Front View



- Rear View



Package Contents

A Raritan Secure Switch package consists of:

- 1 Secure Switch
- 1 power cord
- 1 user guide
- 1 warranty card

Note: Secure Switch KVM cables are NOT included with the Secure Switch. You must purchase them from Raritan separately.

Note: Remote Port Selector (RSS4-WPS) can be purchased separately

Configuration Requirements

User Console Connection

On the Secure Switch, HDMI and Display port models can be connected using standard cables. All HDMI/Display port models support the digital video as per their resolution capabilities.

User console connection requires:

- HDMI/Display port cables for digital video
- A USB mouse
- A USB keyboard
- Analog speakers or headphones (optional)
- A USB smart card or Common Access Card (CAC) reader (optional)

Important: Secure Switch does NOT support all USB keyboards or all card readers. For details, see: [Using Qualified Peripheral Devices Only](#) (on page 14).

Connected Computers or Servers

The computers or servers to be connected to the Secure Switch using standard cables must have the following ports and connectors.

- A DisplayPort or HDMI video output connector, depends on the selected models
- A USB Type A port for keyboard and mouse
- A USB Type A port for smart card or CAC reader
- A 3.5mm-jack audio port for speakers

Important: For security purposes, DO NOT connect any audio cable supporting Microphone audio input or Line in to the Secure Switch.

Operating Systems

It is suggested the connected computers (or servers) should only run one of the following operating systems.

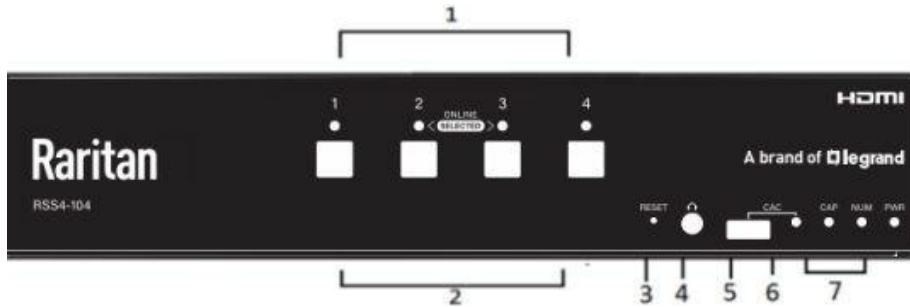
Operating system		Version
Windows		2000/XP/Vista/7/8/8.1/10
Linux	RedHat	6.0 and higher
	SuSE	8.2 and higher
	Mandriva (Mandrake)	9.0 and higher
UNIX	AIX	4.3 and higher
	FreeBSD	3.51 and higher
	Sun	Solaris 9 and higher
Novell	Netware	5.0 and higher
Mac		OS 9 and higher
DOS		6.2 and higher

Note: The Secure Switch also supports Linux Kernel 2.6 and higher.

Secure Switch Ports and Connectors

The following diagrams illustrate the RSS4-104-DUAL model, a 4-port Dual Head USB HDMI Secure Switch which supports CAC.

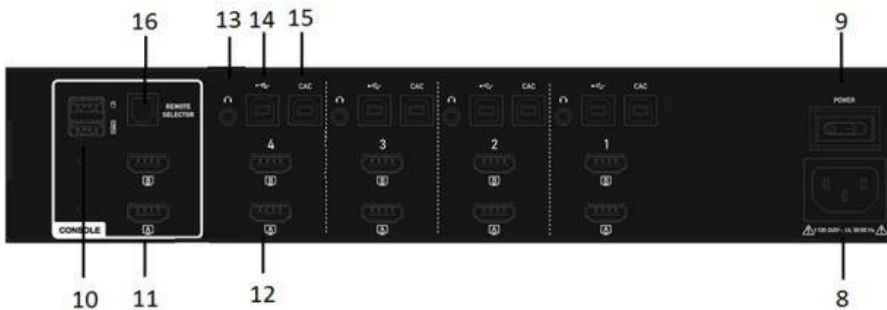
Front View



No.	Components	Description
1	Port LEDs	<p>The port LEDs, located on the front panel, indicate port selection or connection status.</p> <ul style="list-style-type: none"> <i>Online state:</i> An LED is lit (WHITE) to indicate that the computer attached to the corresponding port is up and running. <i>Selected state:</i> An LED turns GREEN to indicate that the computer attached to the corresponding port is being accessed by the KVM console.
2	Port selection pushbuttons	<p>Pressing a port selection pushbutton redirects the keyboard, mouse, video, audio, and optional CAC reader to the computer attached to the corresponding port.</p>
3	Reset button	<p>This button resets the Secure Switch.</p> <p>When performing the reset function by pressing this button for more than 5 seconds, the following will occur:</p> <ul style="list-style-type: none"> The Secure Switch reboots and performs self-test. Port 1 will be selected by default after a successful self-test. The keyboard/mouse buffer is purged. Each port's CAC function will be reset to the factory default. <hr/> <p>Note: If this product fails to display video on the monitor after reset, power off all devices, check the connections, and follow the installation instructions to power on all devices.</p>
4	Audio port	<p>Connect optional speakers or headphones.</p> <ul style="list-style-type: none"> Only standard analog speakers can be connected. Connection of an analog microphone or line-in audio equipment is NOT permitted.

No.	Components	Description
5	USB port for a USB smart card reader or CAC reader	Only a supported USB authentication device, such as a standard smart card and CAC reader, can be connected to this port.
6	CAC reader LED	<ul style="list-style-type: none"> A GREEN LED indicates a supported USB authentication device is connected. If Green LED starts blinking, it indicates the connected USB device is improper and rejected, such as a USB thumb drive, USB camera, and so on.
7	CAP/NUM/PWR LED	<p>PWR: The LED is lit (WHITE) to indicate that the Secure Switch is powered on.</p> <p>CAP: The LED is lit (Green) to indicate that Caps Lock Function has been turned on.</p> <p>NUM: The LED is lit (Green) to indicate that Num Lock Function has been turned on.</p> <hr/> <p>Note: The Caps/Num/Scroll lock LED on keyboard will be disabled due to security requirements.</p>

Rear View



No.	Components	Description
8	Power socket	Connect the AC power cord.
9	Power switch	Power on and off the Secure Switch.
10	USB console ports	Connect a USB keyboard and mouse. The USB console's keyboard port (lower port) and mouse port (upper port) are only compatible with a standard USB keyboard and mouse.

No.	Components	Description
		Note: For security purposes, the Secure Switch does not support wireless keyboards and non-standard keyboards/mice with integrated USB features. Besides, this product does NOT support some functions on the keyboard. For details, see: Using Qualified Peripheral Devices Only (on page 14).
11	Console monitor port Video LED(s)	<p>Connect a HDMI or DisplayPort monitor using a user-supplied cable, depends on the selected model.</p> <p>This Video LED(s) lights green when the video connection is up and running.</p> <p>The LED flashes when a non-qualified monitor is connected.</p> <hr/> <p>Note: With the dual-display model, each console video connection has a video LED</p>
12	KVM port	Connect the HDMI or DisplayPort connector of the Raritan Secure Switch KVM cable attached to your computer for video transmission, depends on the selected model
13	KVM audio port	Connect the audio connector of the Raritan Secure Switch KVM cable attached to your computer for audio transmission.
14	KVM USB port	Connect the USB connector of the Raritan Secure Switch KVM cable attached to your computer for keyboard/mouse signal transmission.
15	USB-B port for a USB smart card or CAC feature	Connect a Type A-to-B cable attached to your computer for the USB Smart Card /CAC reader function.
16	Remote Port Selector	The cable on the Remote Port Selector (RSS4-WPS) plugs in here. RSS4-WPS does not include in package and can be purchased separately from Raritan.

Remote Port Selector (RSS4-WPS)

The remote port selector allows you to switch between connected computers.



No.	Components	Description
1	Port Selection buttons	<p>Pressing a Port Selection button brings together the keyboard, mouse, video, audio, and CAC reader focus to the computer attached to its corresponding port</p> <ul style="list-style-type: none"> Note: All 8 buttons are functional when using an 8-port model. Only 1 and 2, or 1, 2, 3 and 4 are functional on 2- or 4-port models.
2	Port LED	<p>The Port LEDs are located on the upper-left side of each pushbutton to indicate Port selection and connection status.</p> <ul style="list-style-type: none"> Online state: An LED is lit (Dim Orange) to indicate that the computer attached to the corresponding port is up and running Selected state: An LED turns Bright Orange to indicate that the computer attached to the corresponding port is being accessed by the KVM console.
3	CAC CAP NUM PWR LEDs	<p>CAC</p> <ul style="list-style-type: none"> Green LED: powered on. Blinking Green LED: the connected USB device is improper and rejected, such as a USB thumb drive, USB camera, and so on. <p>CAP</p> <ul style="list-style-type: none"> Green LED: Caps Lock Function has been turned on. <p>NUM</p> <ul style="list-style-type: none"> Green LED: Num Lock Function has been turned on. <p>PWR</p> <ul style="list-style-type: none"> Green LED the Secure Switch is powered on.

Hardware Setup

In This Chapter

Before You Begin.....	14
Tampering Prevention and Detection.....	14
Using Qualified Peripheral Devices Only.....	14
Secure Installation Guidelines.....	16
Secure Operation and Administration.....	16

Before You Begin

Before using the Secure Switch, make sure you have read [Attention](#) (on page 4).

Tampering Prevention and Detection

- The Secure Switch and Remote Port Selector include a tamper-evident tape to provide visual indications of intrusion to its enclosure. If the tamper-evident seal is missing, peeled, or looks as if it's been adjusted, DO NOT use it and contact your Raritan dealer immediately
- The Secure Switch and Remote Port Selector are equipped with active always-on chassis intrusion detection. If a mechanical intrusion is detected, the Secure Switch will be permanently disabled and its front panel LEDs will flash continuously. If this product's enclosure appears breached or all LEDs are flashing continuously, stop using it, remove it from service immediately and contact your dealer.
- Never attempt to open the Secure Switch's or Remote Port Selector's enclosure. Any attempt to open the enclosure will permanently damage and disable this product. The attempt to open its enclosure will activate the chassis intrusion detection security, which will render it inoperable and void the warranty.
- The Secure Switch and Remote Port Selector cannot be upgraded, serviced or repaired.
- The Secure Switch contains an internal battery which is non-replaceable. Never attempt battery replacement or open the Secure Switch's enclosure. The internal battery inside the KVM ensures that the clock is active at all times and allows for accurate time recordings for all events. The initial date is set in each KVM manually at the time of manufacturing.

Using Qualified Peripheral Devices Only

For security purposes, you must always connect supported and authorized peripheral devices to the Secure Switch. Otherwise, the Secure Switch may not function properly.

► *USB keyboard and mouse:*

- The Secure Switch only supports a *standard* USB keyboard and mouse (or pointing device).
- DO NOT use the following keyboards and/or mice.
 - A wireless keyboard or mouse
 - A keyboard or mouse with internal USB hub or composite device functions
- If connecting an unsupported keyboard, the keyboard will *not* function. No keystrokes will be displayed on the screen.

Note that the Secure Switch automatically disables some functions on the connected keyboard for security purposes.

- *Num Lock LED*
- *Caps Lock LED*
- *Scroll Lock LED*
- *Special multimedia keys*
- If connecting an unsupported mouse, the mouse will *not* function. No mouse cursor movement will be displayed on the screen.

► *Video:*

- You can use a HDMI or DisplayPort monitor connected to the HDMI or DisplayPort port of the Secure Switch User Console, depending on the selected model
- Only use a supported monitor. When connecting a monitor to the Secure Switch, the Secure Switch will filter the connected monitor by checking the monitor's EDID (Extended display identification data). If the check fails, the Secure Switch will reject the monitor and the video content will not be displayed on the monitor.
- DO NOT use wireless video transmitters or any docking device.

► *Audio:*

- Connect *standard* "analog" speakers or headphones only.
- The Secure Switch does not support an analog microphone or line-in audio input.
Do not connect a microphone to the Secure Switch's audio output port, including a headset with the microphone.

► *NO Thunderbolt™ technology devices:*

- DO NOT connect any Thunderbolt™ technology device.

► *USB card reader (optional):*

- The Secure Switch's USB CAC port supports only authorized User-Authentication Devices by default, such as a USB smart card or CAC reader.
- DO NOT connect non-User-Authentication USB devices to the USB CAC port. Unqualified or unauthorized USB devices will be rejected.
- DO NOT use a USB CAC Authentication Device or other peripheral devices that adopt an external power source.
- For a list of supported card readers, see: [Supported Card Readers](#) (on page 15).

Supported Card Readers

The following USB smart card or CAC readers are supported by Secure Switch. Other types of card readers may also work but Raritan has not tested their operation.

- ACS ACR38U-A1
- ACS ACR38U-BMC-R
- ACS ACR38T-IBS-R
- Omnikey6121
- SCM_SCR3310
- CHERRY_ST-1044U
- EasyATM Pro2
- EasyATM AU9520
- Galileo RU056
- Kinyo KCR352
- Esense 17-SCR680
- EZ100PU

Important: It is highly recommended that you install the proprietary driver of your card reader onto the computer(s), which is either shipped with the card reader or can be downloaded from the official website of the card reader's vendor. If not, the card reader may not function properly.

Secure Installation Guidelines

- DO NOT attempt to connect or install the following devices to the computers connected to the Secure Switch.
 - TEMPEST computers
 - Telecommunications equipment
 - Frame grabber video cards
 - Special audio processing cards
- Before installation, make sure the power sources to all devices involved in the installation are turned off.
- Hot-swapping of the console monitor is NOT supported.
You must power OFF the Secure Switch and console monitor before changing or re- connecting the monitor. Power them back ON after finishing the monitor connection.
- A computer should only be powered on after all of the cable connections to the Secure Switch are finished, including video, USB and audio.
- Important safety information regarding the placement of this device is provided in the topic titled Safety Instructions (admin) in the Administrators Guide. Please review it before proceeding.

Secure Operation and Administration

Stacking

The Secure Switch features a rugged, metal enclosure which provides stability and allows the device to be stacked on the desktop.

It can be placed on any level surface that can safely support its weight and the weight of all attached cables.

Ensure that the surface is clean and free of materials that can block the exhaust vents or otherwise interfere with normal operation of the Secure Switch.

Installation Procedure

To install your Secure Switch system, power OFF all devices and then follow the procedure below, which corresponds to the numbers of the installation diagram following this topic.

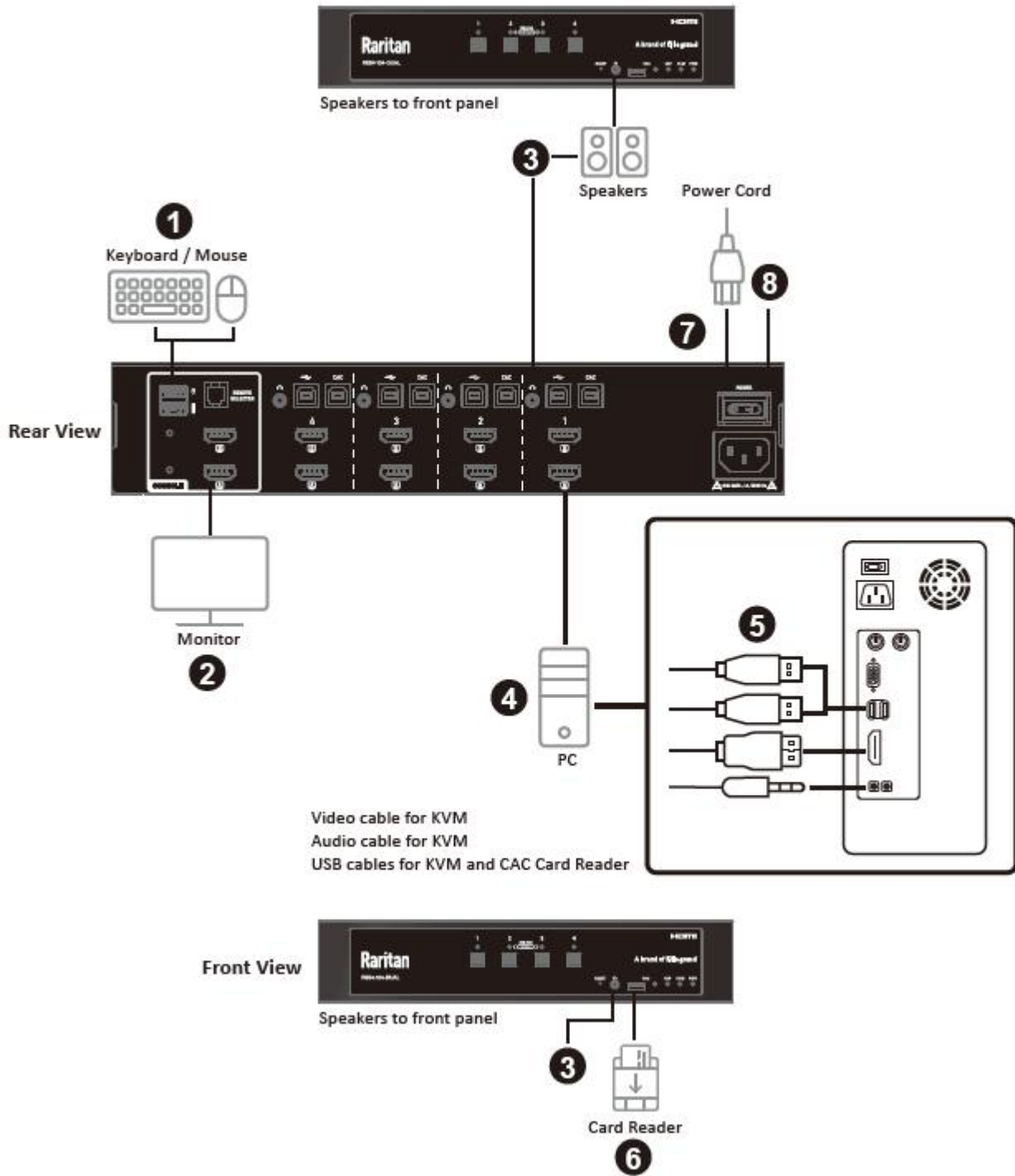
Important: You CANNOT mix digital and analog video on a single Secure Switch. Make sure all devices connected to Secure Switch are DP or HDMI-video-based devices.

Read [Secure Installation Guidelines](#) (on page 16) before proceeding with the installation.

► *To connect all equipment:*

1. Plug your USB keyboard and USB mouse into the USB User Console ports on the Secure Switch's rear panel.
 - Only a *standard* USB keyboard/mouse are supported. See [Using Qualified Peripheral Devices Only](#) (on page 14).
2. Optionally connect your console monitor to the Secure Switch's console Video port on the rear panel, and then power on the monitor.
 - The connected monitor will be filtered after connecting it to the Secure Switch. An unsupported monitor will be rejected.
3. Plug your speakers into the console's speaker jack located on the Secure Switch's front panel.
4. Plug any standard cable's HDMI or DisplayPort connectors to the Secure Switch's KVM ports and it's USB and speaker connectors to the computer. Repeat this setup for each computer you are connecting. For the CAC feature, connect the Type B end of the USB Type A-to-B cable to the CAC port on one of the Secure Switch's KVM ports.
5. If you are installing a Secure Switch with CAC feature, connect the USB smart card / CAC reader to the CAC port on the Secure Switch's front panel.
 - Only appropriate supported USB Authentication devices, including smart card and CAC readers, can be connected to this port. During KVM operation, unsupported or unauthorized USB devices will be filtered and rejected, which is indicated by a flashing CAC LED. See [LED Indicators](#) (on page 20) for visual indication.
 - For a list of supported USB smart card / CAC readers, see [Supported Card Readers](#) (on page 15).
 - It is HIGHLY recommended to install the proprietary card reader driver onto the computer(s), which is shipped with the card reader or can be downloaded from the card reader vendor's website. Or the card reader may not function properly.
6. Attach the power cord into the Secure Switch's power socket, and plug the end into an AC power source.
7. Turn on the Secure Switch and check that the LEDs light up. The Secure Switch will automatically start KVM self-test.
8. Note: The Secure Switch performs security self-test at power-on and at each power cycle. Front panel LEDs will indicate self-test status and test result. See [Operation](#) (on page 19) and [LED Indicators](#) (on page 20) for visual identification.

Installation Diagram



Operation

In This Chapter

Power ON.....	19
Manual Switching.....	19
LED Indicators.....	20
Chassis Intrusion Detection.....	21

Power ON

When you power on, reset, or power cycle the Secure Switch, the Secure Switch will perform a self-test to check the device's integrity and security functions.

► *Self-test process:*

- All Port LEDs will turn ON and then OFF one by one.
- When the self-test completes successfully, it will switch to Port 1, with the Port 1's LED turning GREEN.

► *Self-test failure:*

In case of self-test failure, the Secure Switch becomes inoperable, with the port LED(s) flashing, which indicates a potential cause to the failure.

- The pre-defined port LED status indicates the failure cause.
 - Button jammed: The port LED of a jammed button will flash green.
- When all port LEDs flash, it means the KVM tampering is detected or there is an integrity issue.

For security, the Secure Switch becomes inoperable after self test fails.

Please verify your KVM installation, pushbuttons, and then power cycle the Secure Switch. If the self-test failure remains, stop using the Secure Switch, remove it from service and contact your Raritan reseller.

After the Secure Switch is powered on and ready, power on your computers. By default the Secure Switch will switch to Port 1 after self test.

The Secure Switch filters and emulates both the mouse and keyboard on each port after it is powered on. If the keyboard, mouse, monitor, or smart card / CAC reader fails to operate properly, make sure that you are using the appropriate peripherals that are supported and authorized peripherals. Then power off the Secure Switch, check all cable connections, and power on the device again.

Manual Switching

For enhanced security, the Secure Switch offers manual port switching only. This is achieved by pressing the port-selection pushbuttons located on the Secure Switch's front panel or **on the Remote Port Selector (RPS)**

Press and release a port-selection pushbutton to select the corresponding port where the desired computer is attached. For information on port IDs, see: [Port ID Numbering](#) (on page 20). To meet maximum security and channel isolation requirements, control of the keyboard, mouse, video, audio, and USB CAC reader will be switched together.

The selected port's LED turns GREEN to indicate that the connected keyboard, mouse, monitor, speakers (or headset), and CAC reader are redirected to the computer attached to the corresponding port. The selected computer should be able to detect the peripherals after port switching. An active session on the selected computer is immediately terminated upon removal of CAC card.

If the computer fails to detect your keyboard, mouse, or CAC card reader, check the following:

- Verify if you are using a supported keyboard, mouse, or CAC card reader. See: [Using Qualified Peripheral Devices Only](#) (on page 14) and [Supported Card Readers](#) (on page 15).
- Verify if your keyboard, mouse, or CAC reader fails to operate properly.
- For USB CAC card reader (USB authentication device), verify the USB CAC cable has been securely connected, and the CAC function is enabled.
- For USB CAC card reader port, verify if the device you use has been authorized. See: [Supported Card Readers](#) (on page 15) or consult your administration.

Port ID Numbering

Each KVM port on the Secure Switch is assigned a port number. 1 and 2 for 2-port models, 1 to 4 for 4-port models, and 1 to 8 for 8-port models. The port numbers are marked on the rear of the Secure Switch. See [Secure Switch Ports and Connectors](#) (on page 10).

The port ID of a computer is derived from the KVM port number it is connected to.

LED Indicators

In addition to the power LED, there are port LEDs and CAC LED on the Secure Switch's front panel to indicate Port / CAC reader operation status. These LEDs also serve as the alarm notification for KVM security issues.

LED	Indication
Power LED	The power LED is on the front panel and becomes lit (white) to indicate that the Secure Switch is powered on.
Port LED	<p>The port LEDs are located on the front panel to indicate the port selection or computer connection status.</p> <ul style="list-style-type: none"> • <i>Online</i> – Lights up in WHITE to indicate that the computer attached to its corresponding port is up and running. • <i>Selected</i> – Turns GREEN to indicate that the computer attached to its corresponding port has the KVM focus. <p>Note: Port LEDs will flash constantly when a chassis intrusion is detected. For details, see Chassis Intrusion Detection (on page 21). Port LEDs also indicate the status of the Secure Switch's self-test status. For details, see Operation (on page 19).</p>

CAC LED	<p>The CAC LED is located on the front panel to indicate CAC reader selection or connection status.</p> <ul style="list-style-type: none"> • <i>Green LED</i>: A supported USB authentication device is connected. • <i>Green LED Blinking</i>: The connected USB device is rejected, such as a USB thumb drive, USB camera, and so on.
CAP NUM PWR LED	<p>CAP: The LED is lit (Green) to indicate that Caps Lock Function has been turned on.</p> <p>NUM: The LED is lit (Green) to indicate that Num Lock Function has been turned on.</p> <p>PWR: The LED is lit (Green) to indicate that the Secure Switch is powered on</p>
Video LED(s)	<p>This Video LED(s) lights green when the video connection is up and running.</p> <p>The LED flashes when a non-qualified monitor is connected.</p> <hr/> <p>Note: With the dual-display model, each console video connection has a video LED</p>

Chassis Intrusion Detection

To help prevent malicious tampering with the Secure Switch, when a chassis intrusion, such as the cover being removed, is detected, the Secure Switch becomes inoperable, and front panel LEDs flash GREEN continuously.

The Chassis Intrusion Detection is an always-on function. If all your front panel LEDs flash continuously, or the Secure Switch's enclosure appears breached, DO NOT use this product and contact your Raritan dealer immediately.

Appendix A Specifications

In This Chapter

Secure Switch HDMI Models with CAC.....	22
Secure Switch DisplayPort Models with CAC.....	23

Secure Switch HDMI Models with CAC

Function		RSS4-102 (HDMI)	RSS4-104 (HDMI)	RSS4-102-Dual (HDMI)	RSS4-104-Dual (HDMI)
Computer Connections		2	4	2	4
Port Selection		Pushbutton Switches (square-shaped)		Pushbutton Switches (square-shaped)	
Console Ports	Keyboard	1 x USB Type-A F (Black)		1 x USB Type-A F (Black)	
	Video	1 x HDMI F		2 x HDMI F	
	Mouse	1 x USB Type-A F		1 x USB Type-A F	
	CAC	1x USB Type-A F (Front panel)		1x USB Type-A F (Front panel)	
	Remote Port Selector	1x RJ11 F		1x RJ11 F	
	Audio/Speaker	1 x Mini Stereo Jack F (Front panel)		1 x Mini Stereo Jack F (Front panel)	
Computer Ports	Keyboard/Mouse	2 x USB Type-B F	4 x USB Type-B F	2 x USB Type-B F	4 x USB Type-B F
	CAC	2 x USB Type-B F	4 x USB Type-B F	2 x USB Type-B F	4 x USB Type-B F
	Video	2 x HDMI F	4 x HDMI F	4 x HDMI F	8 x HDMI F
	Audio/Speaker	2 x Mini Stereo Jack F	4 x Mini Stereo Jack F	2 x Mini Stereo Jack F	4 x Mini Stereo Jack F
Firmware Upgrade		NOT Supported		Not Supported	
Power		1 x 3-prong AC Socket		1 x 3-prong AC Socket	

Function		RSS4-102 (HDMI)	RSS4-104 (HDMI)	RSS4-102-Dual (HDMI)	RSS4-104-Dual (HDMI)
LEDS	Power	1 (White)		1 (White)	
	On Line/ Selected	2 (Bi-Color LED): ▪ Online (White) ▪ Selected (Green)	4 (Bi-Color LED): ▪ Online (White) ▪ Selected (Green)	2 (Bi-Color LED): ▪ Online (White) ▪ Selected (Green)	4 (Bi-Color LED): ▪ Online (White) ▪ Selected (Green)
	CAC	▪ 1 (Green)	▪ 1 (Green)	▪ 1 (Green)	▪ 1 (Green)
	CAP	▪ 1 (Green)	▪ 1 (Green)	▪ 1 (Green)	▪ 1 (Green)
	NUM	▪ 1 (Green)	▪ 1 (Green)	▪ 1 (Green)	▪ 1 (Green)
	Console Video LED	▪ 1 (Green)	▪ 1 (Green)	▪ 1 (Green)	▪ 1 (Green)

Function		RSS-102	RSS-104	RSS4-102-Dual (HDMI)	RSS4-104-Dual (HDMI)
Switches	Reset	1 x Semi-recessed Pushbutton		1 x Semi-recessed Pushbutton	
	Power	1 x Rocker Switch		1 x Rocker Switch	
KB/Mouse Emulation		USB		USB	
Resolution		HDMI : 3840x2160@60Hz (4K UHD)		HDMI : 3840x2160@60Hz (4K UHD)	
I/P Rating		100-240VAC; 50/60Hz		100-240VAC; 50/60Hz	
Power Consumption (watt)		24	24	24	24
Environment	Operation Temperature	0-40°C		0-40°C	
	Storage Temperature	-20-60°C		-20-60°C	
	Humidity	0-80% RH, Non-condensing		0-80% RH, Non-condensing	
Certificates	Safety	UL, CB		UL, CB	
	EMC	CE/FCC/VCCI Class A		CE/FCC/VCCI Class A	
Physical Properties	Housing	Metal		Metal	
	Weight (kg)	1.9	1.9	1.95	2
	Dimension (H X W X D) cm	6.6 x 33.5 x 15.4		6.6 x 33.5 x 15.4	

Secure Switch DisplayPort Models with CAC

Function		RSS4-102 DP	RSS4-104 DP	RSS4-108-DP	RSS4-102 Dual DP	RSS4-104 Dual DP	RSS4-108 Dual DP
Computer Connections		2	4	8	2	4	8
Port Selection		Pushbutton Switches (square-shaped)			Pushbutton Switches (square-shaped)		
Console Ports	Keyboard	1 x USB Type-A F			1 x USB Type-A F		
	Video	1 x DisplayPort F			2 x DisplayPort F		
	Mouse	1 x USB Type-A F			1 x USB Type-A F		
	CAC	1x USB Type-A F (Front panel)			1x USB Type-A F (Front panel)		
	Remote Port Selector	1x RJ11 F			1x RJ11 F		
Audio/Speaker		1 x Mini Stereo Jack F (Front panel)			1 x Mini Stereo Jack F (Front panel)		
Firmware Upgrade		NOT Supported			NOT Supported		
Power		1 x 3-prong AC Socket			1 x 3-prong AC Socket		
LEDS	Power	1 (White)			1 (White)		
	On Line/ Selected	2 (Bi-Color LED): ▪ Online (White) ▪ Selected (Green)	4 (Bi-Color LED): ▪ Online (White) ▪ Selected (Green)	8 (Bi-Color LED): ▪ Online (White) ▪ Selected (Green)	2 (Bi-Color LED): ▪ Online (White) ▪ Selected (Green)	4 (Bi-Color LED): ▪ Online (White) ▪ Selected (Green)	8 (Bi-Color LED): ▪ Online (White) ▪ Selected (Green)
	CAC	1 (Green)	1 (Green)	1 (Green)	1 (Green)	1 (Green)	1 (Green)
	CAP	1 (Green)	1 (Green)	1 (Green)	1 (Green)	1 (Green)	1 (Green)
	NUM	1 (Green)	1 (Green)	1 (Green)	1 (Green)	1 (Green)	1 (Green)
	Console Video LED	1 (Green)	1 (Green)	1 (Green)	1 (Green)	1 (Green)	1 (Green)

Function		RSS4-102 DP	RSS4-104 DP	RSS4-108-DP	RSS4-102 Dual DP	RSS4-104 Dual DP	RSS4-108 Dual DP
Switches	Reset	1 x Semi-recessed Pushbutton			1 x Semi-recessed Pushbutton		
	Power	1 x Rocker Switch			1 x Rocker Switch		
KB/Mouse Emulation		USB			USB		
Resolution		HDMI : 3840x2160@60Hz (4K UHD)			HDMI : 3840x2160@60Hz (4K UHD)		
I/P Rating		100-240VAC; 50/60Hz			100-240VAC; 50/60Hz		
Power Consumption (Watt)		24	24	36	24	48	48
Environment	Operation Temperature	0-40°C			0-40°C		
	Storage Temperature	-20-60°C			-20-60°C		
	Humidity	0-80% RH, Non-condensing			0-80% RH, Non-condensing		
Certificates	Safety	UL, CB			UL, CB		
	EMC	CE/FCC/VCCI Class A			CE/FCC/VCCI Class A		
Physical Properties	Housing	Metal			Metal		
	Weight (kg)	1.9	1.9	2.7	2.05	2.1	3
	Dimension (H X W X D) cm	6.6 x 33.5 x 5.24	6.6 x 33.5 x 15.24	6.6 x 43.24 x 19.5	6.6 x 33.5 x 5.24	6.6 x 33.5 x 15.24	6.6 x 43.24 x 19.5

Appendix A Supported Protocols for Connection Ports

In This Chapter

Protocols for Console Ports..... 25
 Protocols for KVM Ports..... 25

Protocols for Console Ports

Secure Switch console ports support the following protocols. For the location of console ports, see [Secure Switch Ports and Connectors](#) (on page 10).

► *Models with CAC: RSS4- HDMI and DisplayPort Models*

Video Output Interface			Keyboard		Mouse		Audio Output	CAC Reader
DisplayPort	HDMI	DVI - I	USB 1.1/2.0	PS/2	USB 1.1/2.0	PS/2	Analogue Audio output (Speaker)	USB 1.1/2.0
Yes	Yes		Yes		Yes		Yes	Yes

Protocols for KVM Ports

Secure Switch KVM ports for connecting computers support the following protocols. For the location of this product's KVM ports, see [Secure Switch Ports and Connectors](#) (on page 10).

► *Models with CAC: RSS4 HDMI and DisplayPort Models:*

Video Output Interface			Keyboard		Mouse		Audio Output	CAC Reader
DisplayPort	HDMI	DVI - I	USB 1.1/2.0	PS/2	USB 1.1/2.0	PS/2	Analogue Audio output (Speaker)	USB 1.1/2.0
		Yes	Yes		Yes		Yes	Yes